

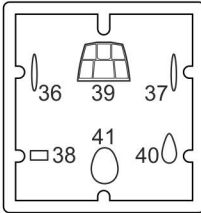
BRISTOL BEAUFIGHTER MK.IF/VIF

FIGHTER ACES



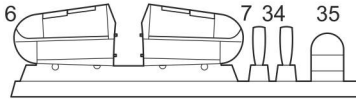
MKM144181
1/144 scale

parts not
to be used

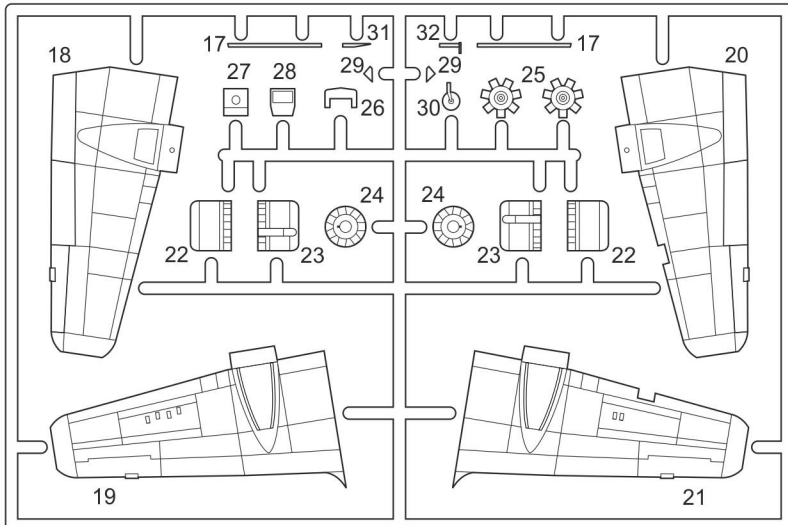
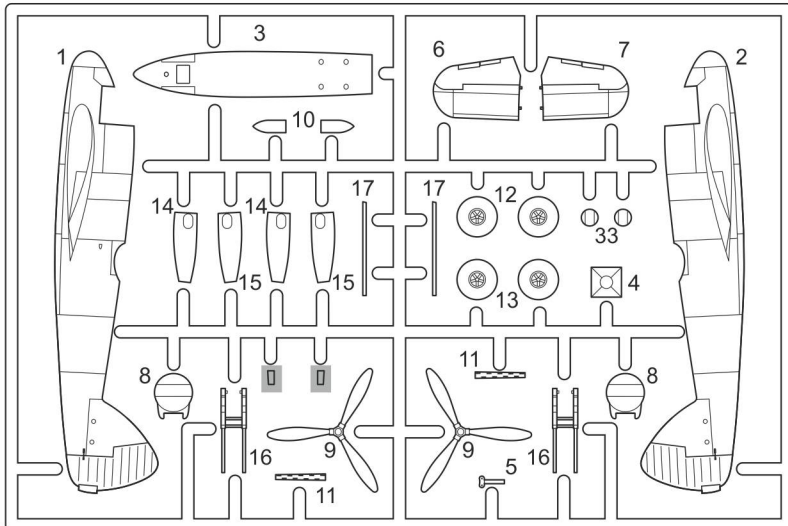


clear parts

resin parts

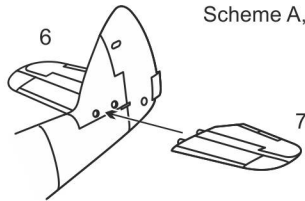


MARK I Ltd.
PO Box 10
CZ-100 31 Prague 10
Czech Republic
mark1@cmail.cz
www.4pluspublications.com

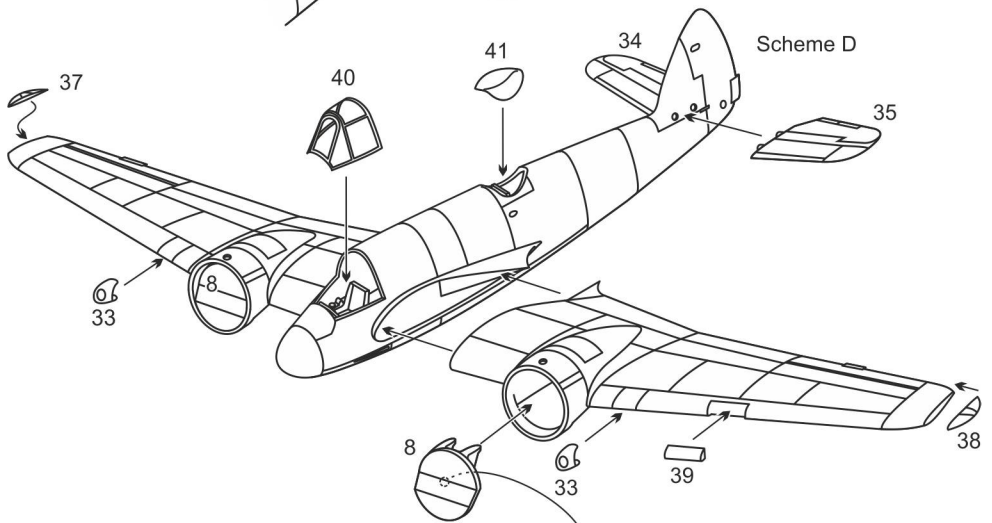


4

Scheme A, B, C



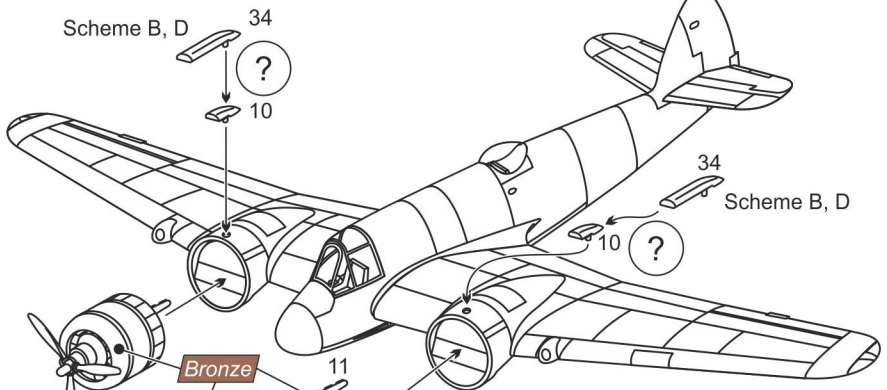
Scheme D



Grey-Green

5

Scheme B, D



Scheme B, D

Bronze

Grey-Green

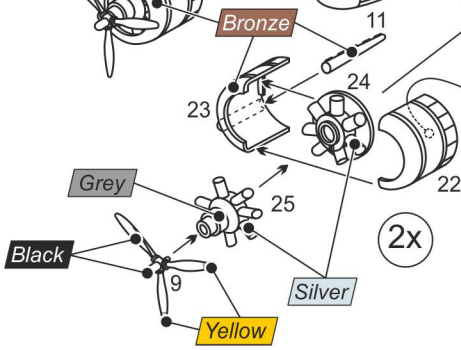
Grey

Black

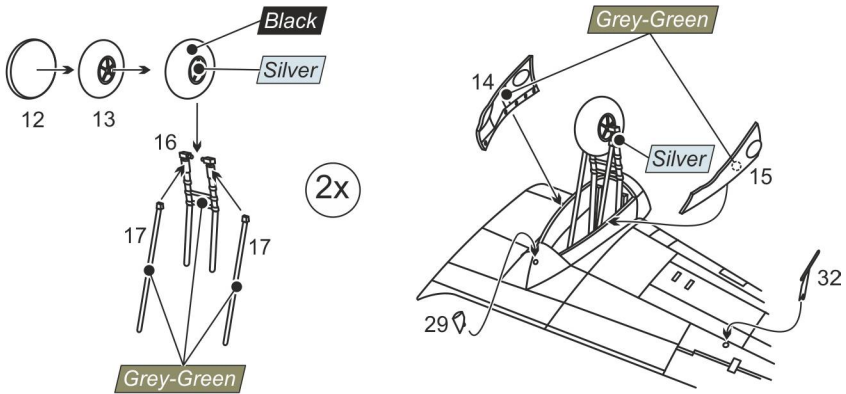
Yellow

Silver

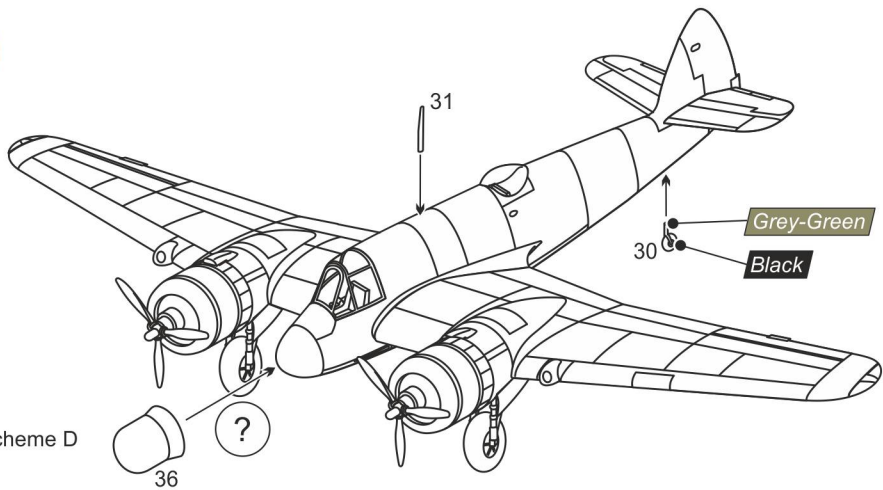
2x



6

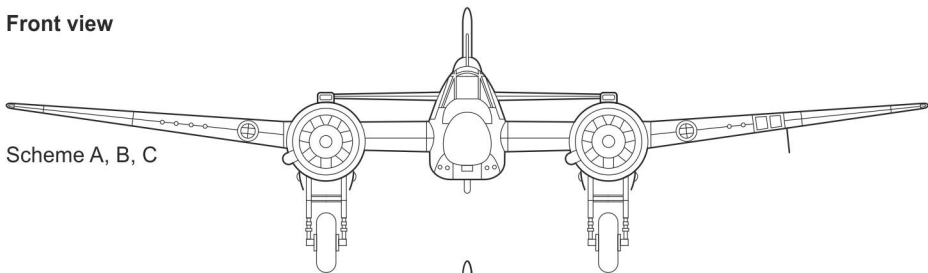


7

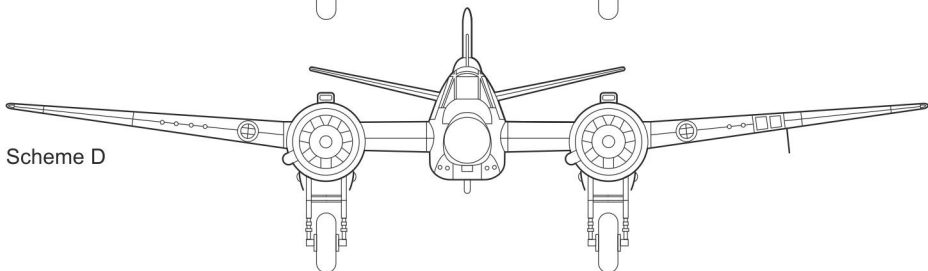


Scheme D

Front view



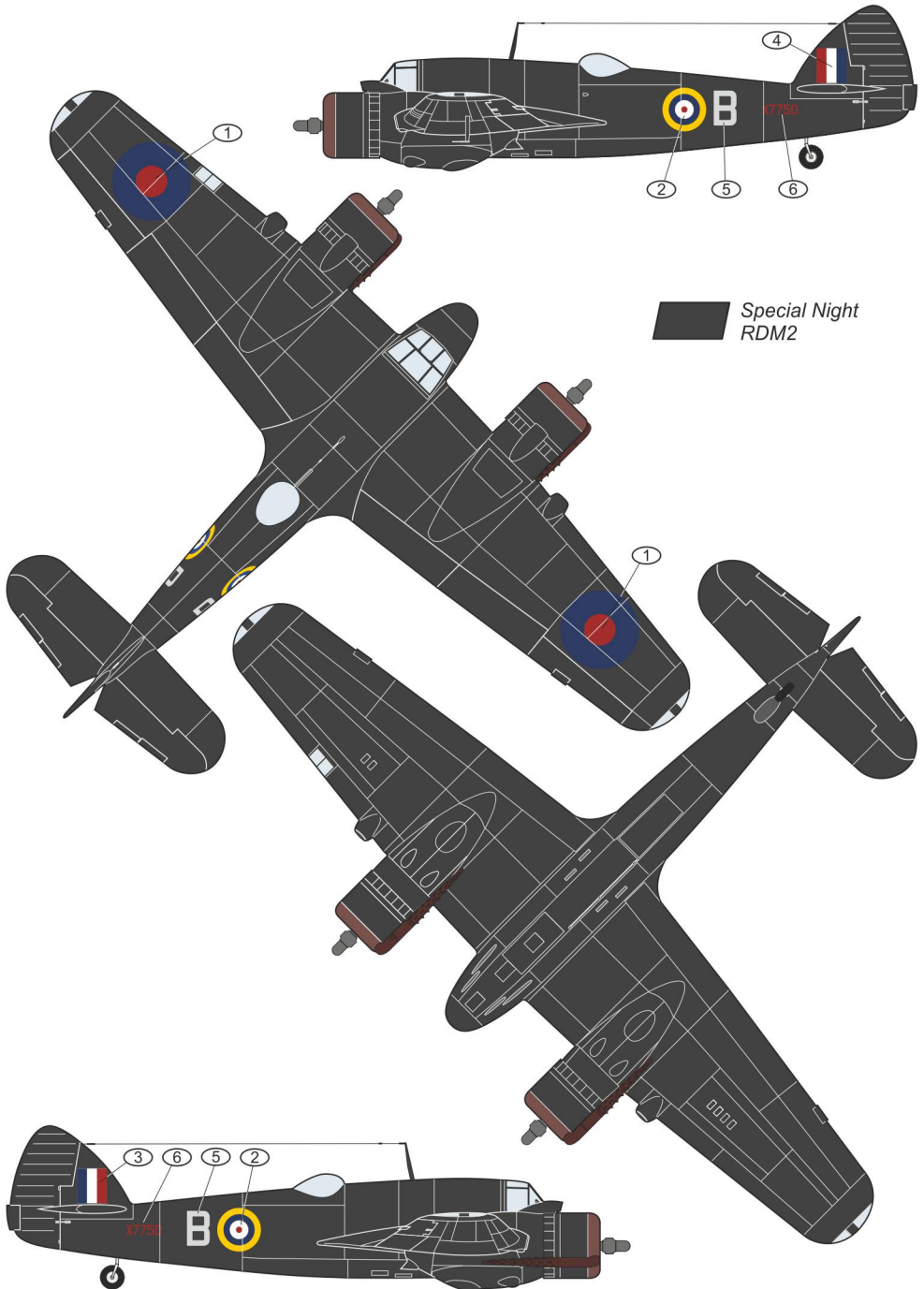
Scheme A, B, C



Scheme D

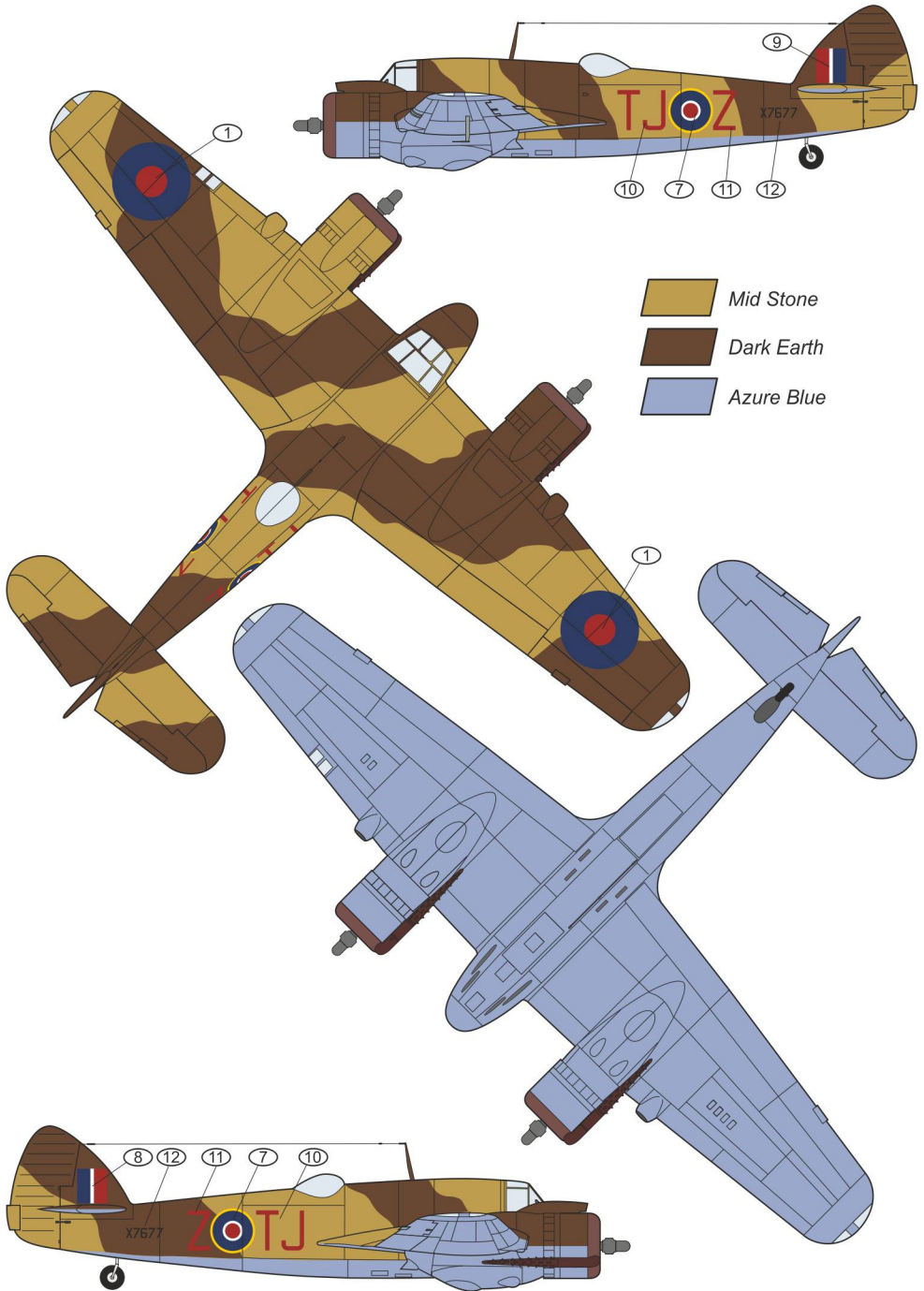
A

Bristol Beaufighter Mk.IF, X7750, Grey B, No.1435 Flt., RAF, flown by Flt Lt G.L. Hayton, Luqa airfield, Malta, March 1942



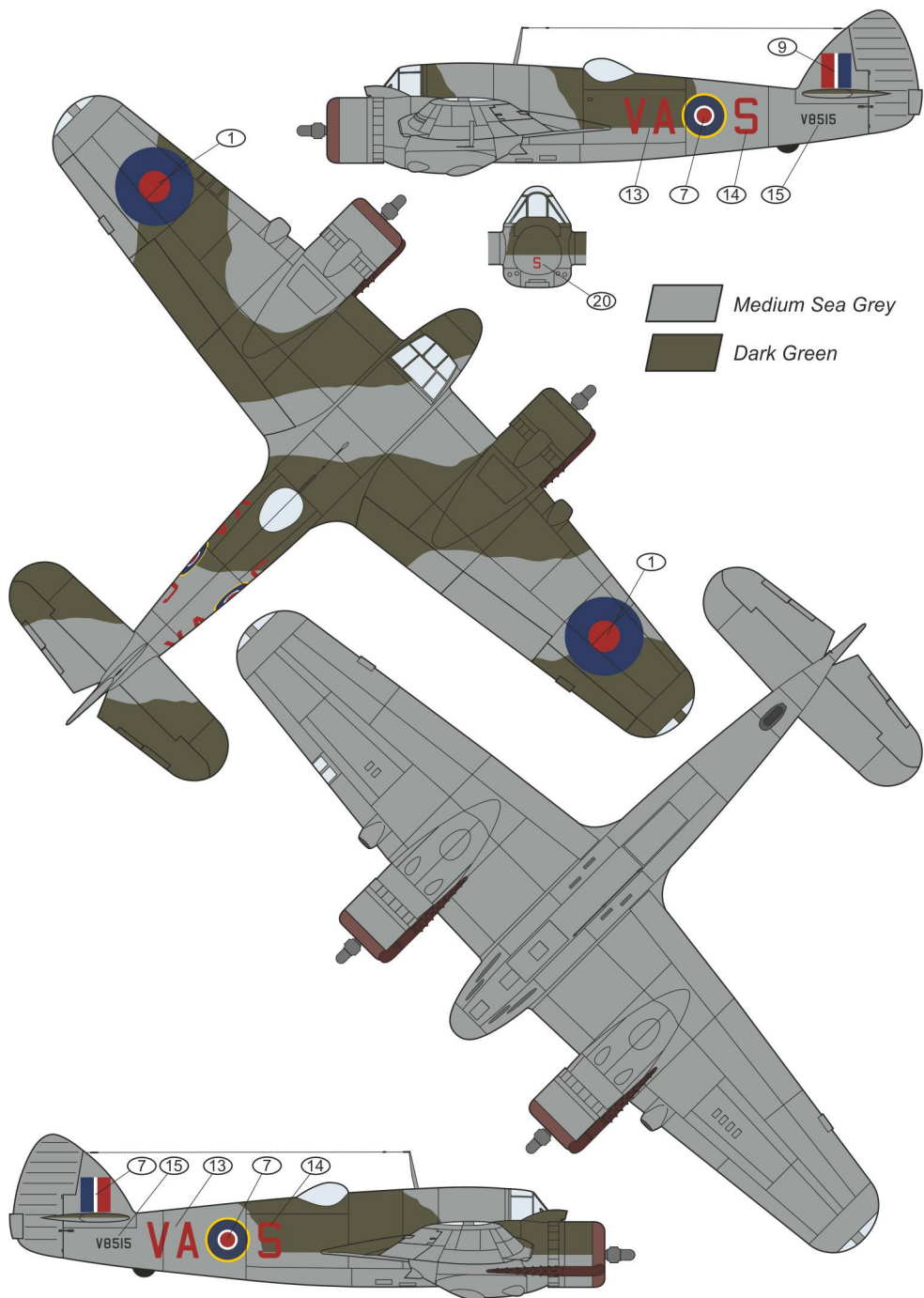
B

Bristol Beaufighter Mk.IF, X7677, Red TJ-Z, No.272 Sq., flown by Flg Off E.E. Coate, RAF, Idku airfield (LG-229), Egypt, July 1942





Bristol Beaufighter Mk.VIF, V8515, Red VA-S, No.125 (Newfoundland) Sq., RAF, flown by
Flt Lt G.E. Jameson, Fairwood Common airfield, February 1943





Bristol Beaufighter Mk.VI.F, ND220, No.176 Sq., RAF, flown by Sq Ldr J.H. Etherton, Minneriya airfield, Ceylon, April 1945

