

DH SEA VENOM FAW.21/53/ECM.22

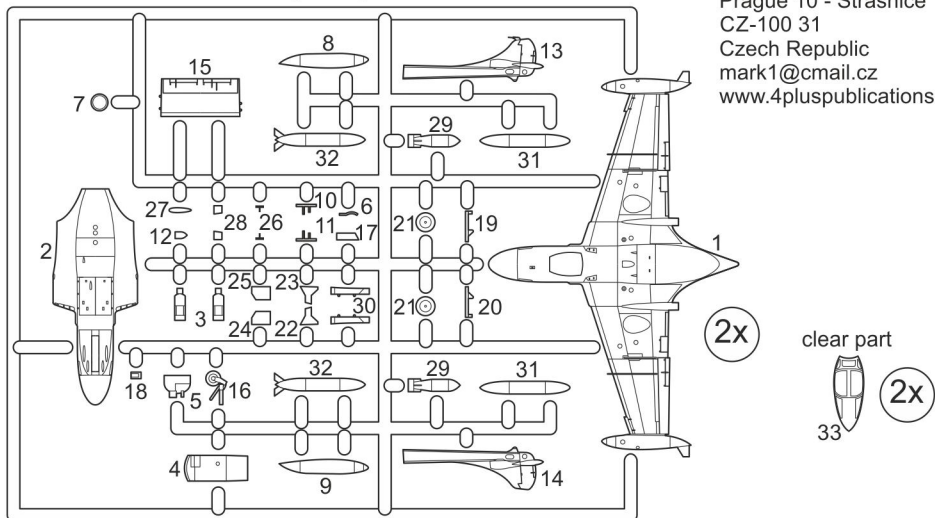
RN AND RAN SERVICE



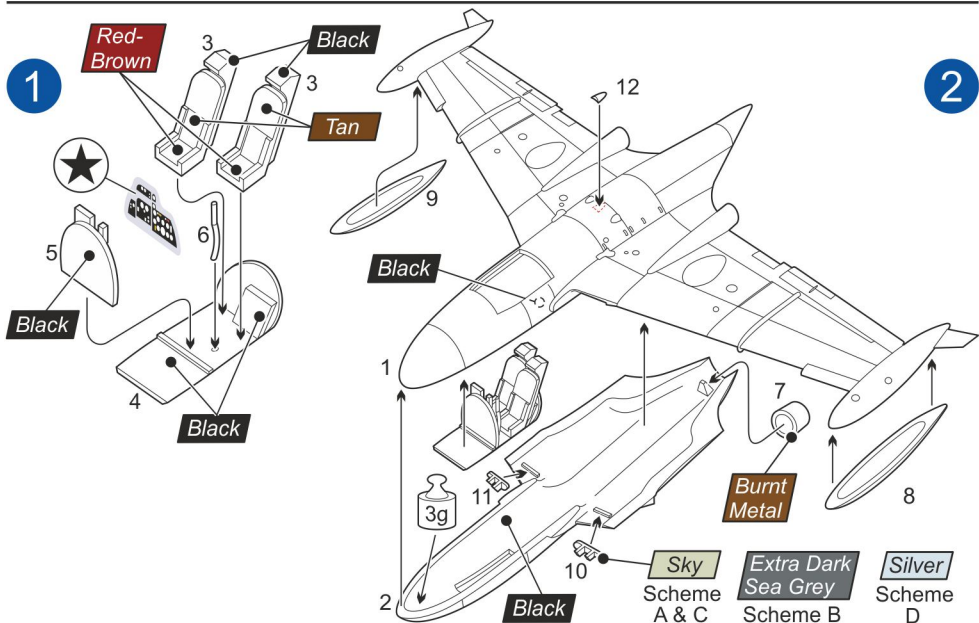
MKM144179
1/144 scale

MARK I Ltd.
PO Box 10
Prague 10 - Strašnice
CZ-100 31
Czech Republic
mark1@cmail.cz
www.4pluspublications.com

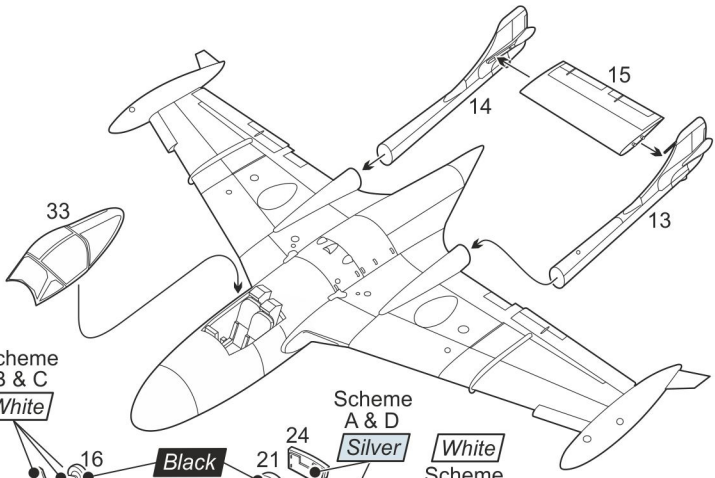
plastic parts



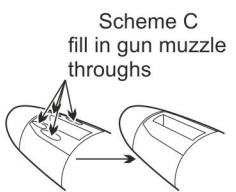
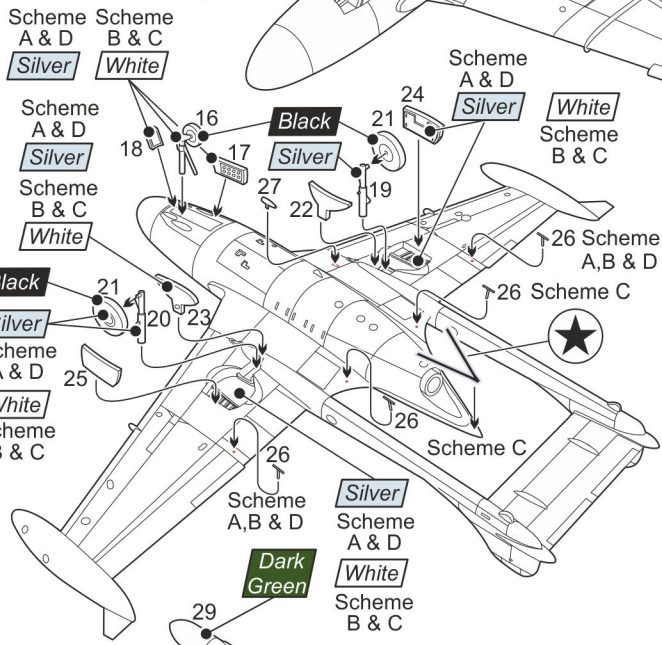
- 2x Repeat this operation
- Glue
- Don't glue
- Decal
- Detach/cut
- ? Optional



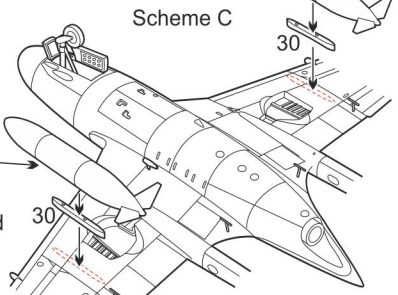
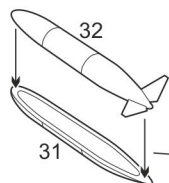
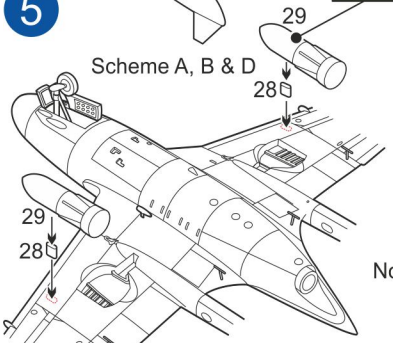
3



4

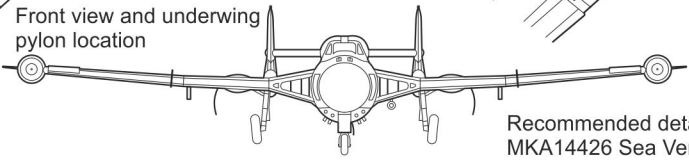


5



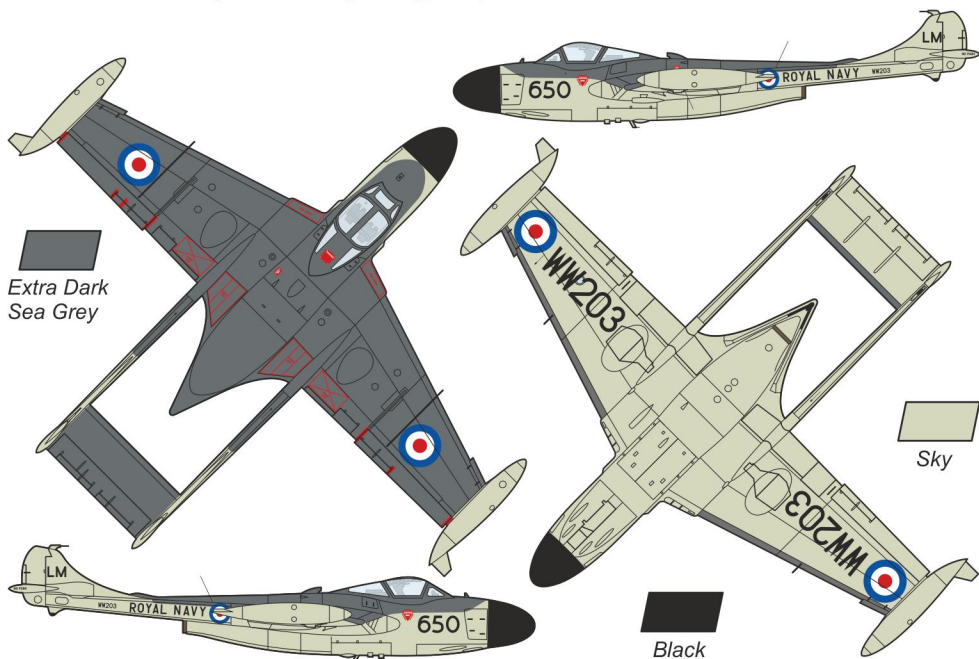
Note: main u/c omitted for clarity.

Front view and underwing pylon location

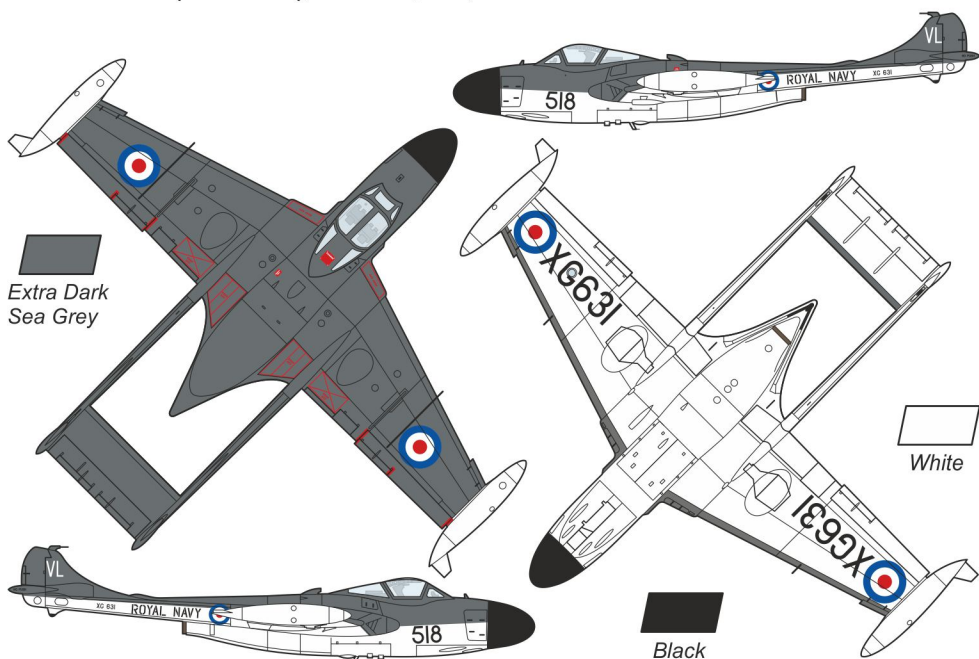


Recommended detailing set:
MKA14426 Sea Venom Weapon Set

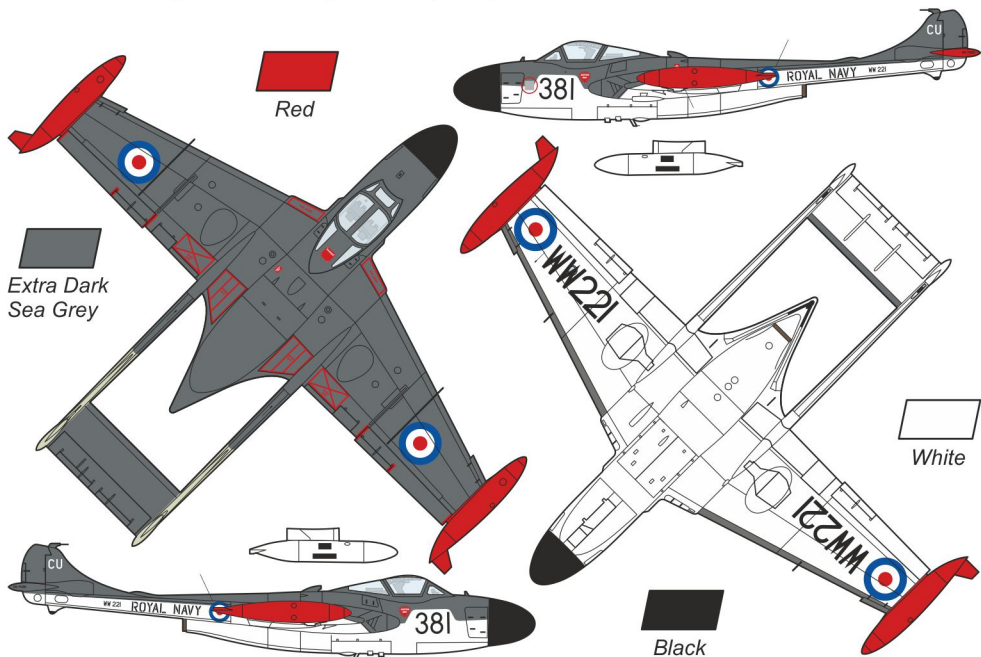
A de Havilland DH.112 Sea Venom FAW Mk.21, WW203/650-LM, No.738 NAS, RN, RNAS Lossiemouth (HMS Fulmar), Moray, U.K., 1959



B de Havilland DH.112 Sea Venom FAW Mk.21, XG631/518-VL, No.700 NAS, RN, RNAS Yeovilton (HMS Heron), Somerset, U.K., late 1960



C de Havilland DH.112 Sea Venom ECM Mk.22, WW221/381-CU, No.831 NAS, RN, RNAS Culdrose (HMS Seahawk), Cornwall, U.K., late 1962/mid-1963



D de Havilland DH.112 Sea Venom FAW.53, WZ939/212-Y, No.808 NAS, RAN, HMAS Melbourne, Australia, 1956/57

