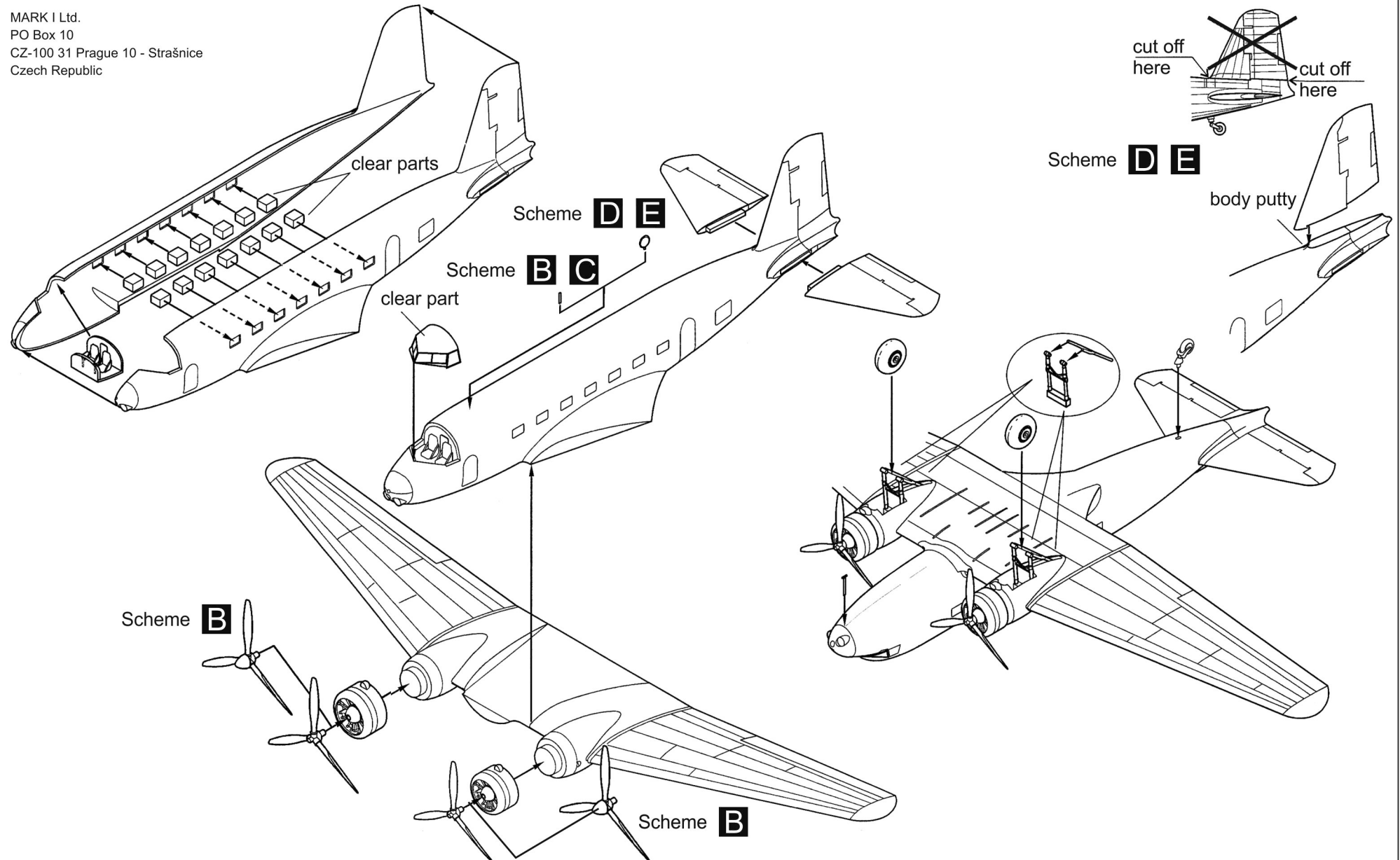


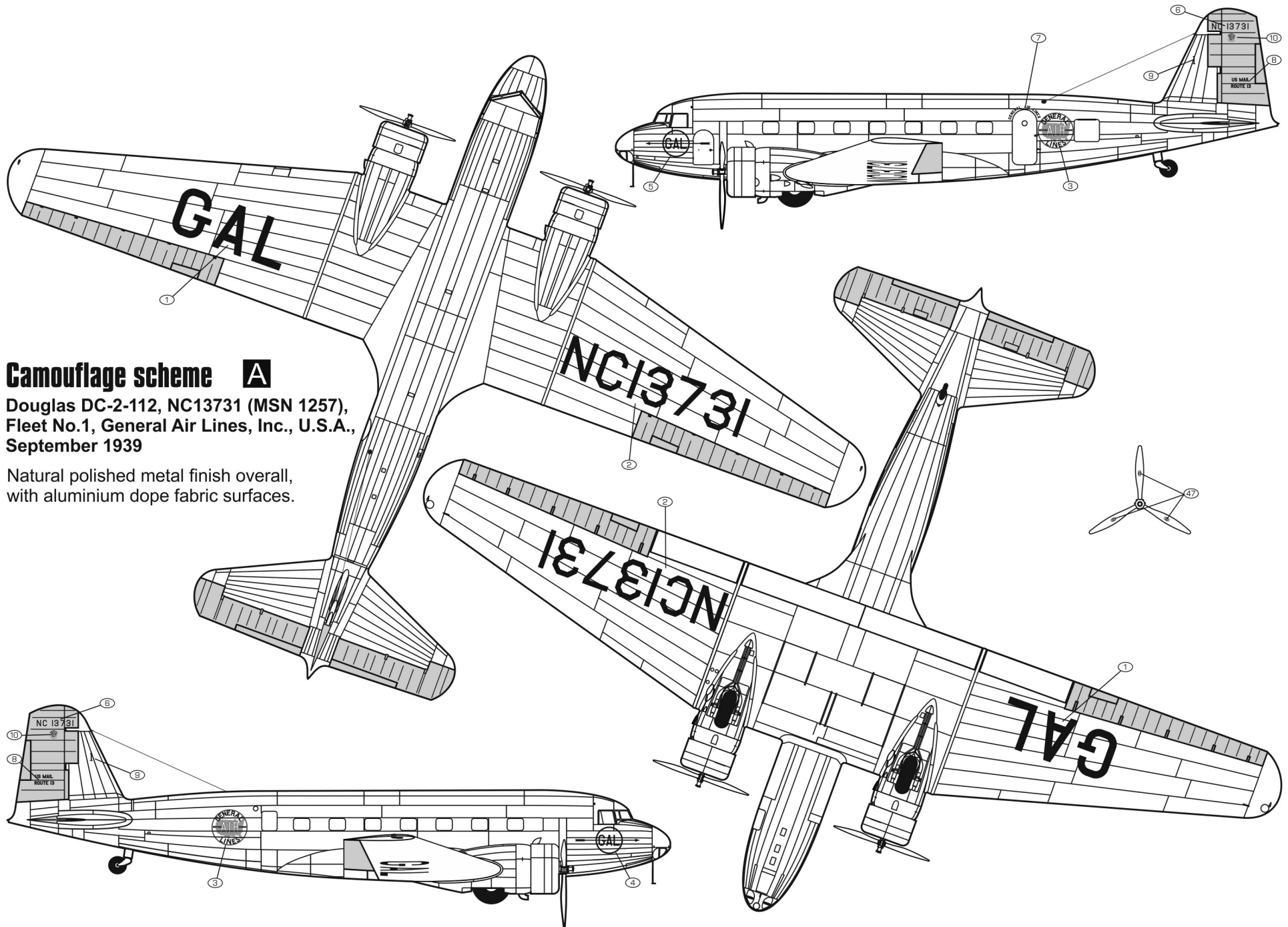
CMR144-013
1/144 scale

Douglas DC-2 'Deuce'



MARK I Ltd.
PO Box 10
CZ-100 31 Prague 10 - Strašnice
Czech Republic

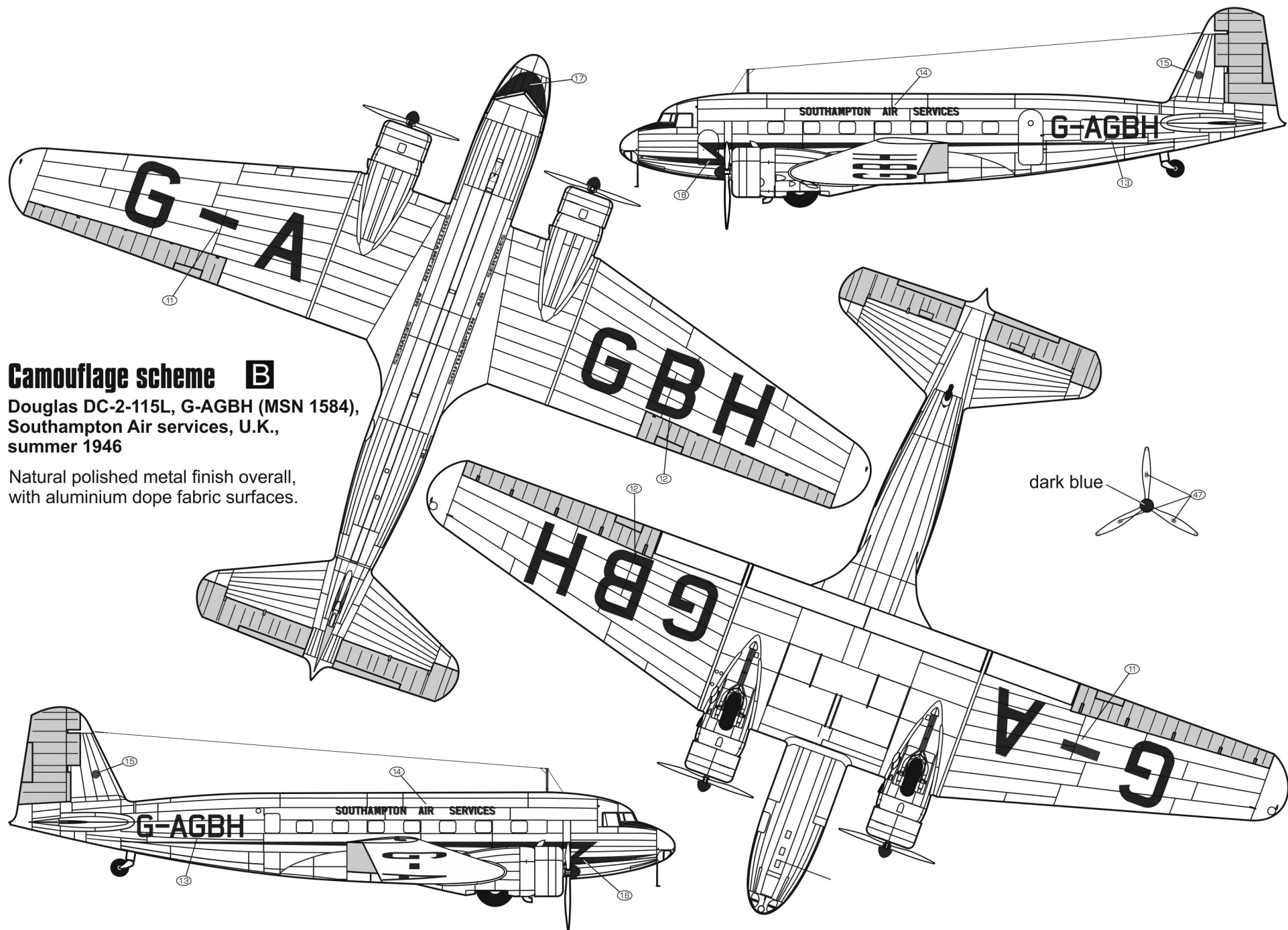




Camouflage scheme **A**

Douglas DC-2-112, NC13731 (MSN 1257),
 Fleet No.1, General Air Lines, Inc., U.S.A.,
 September 1939

Natural polished metal finish overall,
 with aluminium dope fabric surfaces.

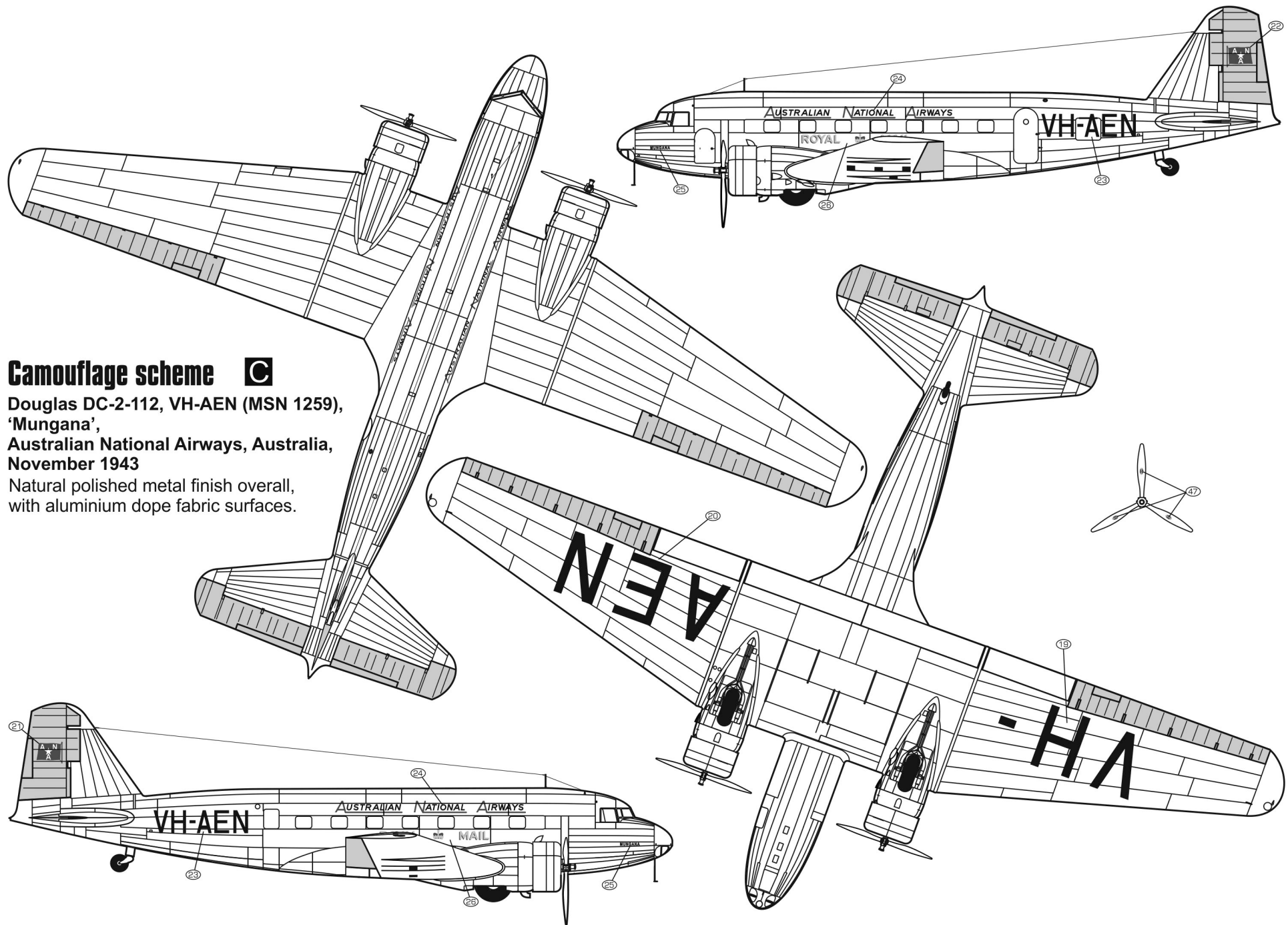


Camouflage scheme B

Douglas DC-2-115L, G-AGBH (MSN 1584),
 Southampton Air services, U.K.,
 summer 1946

Natural polished metal finish overall,
 with aluminium dope fabric surfaces.

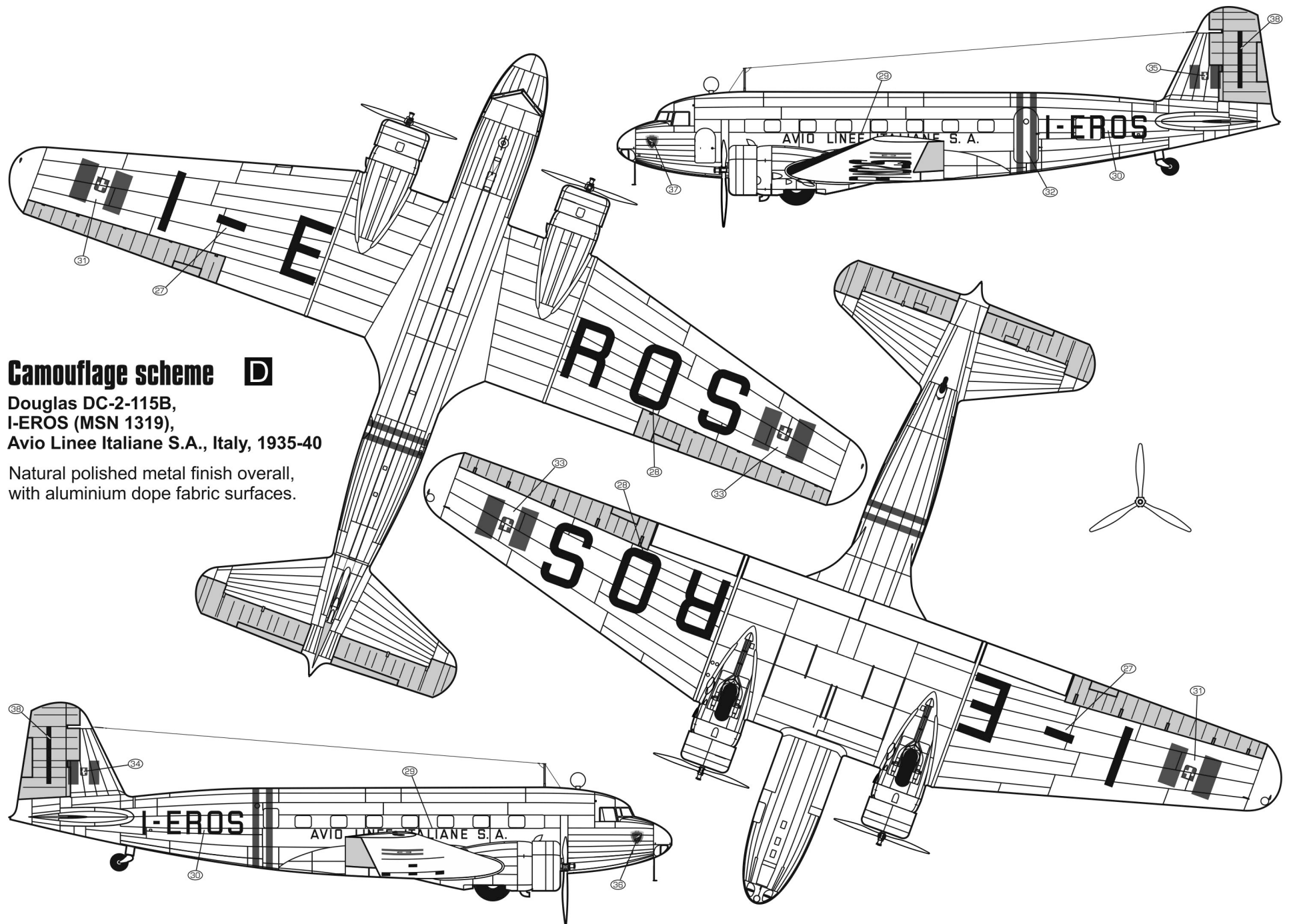
dark blue



Camouflage scheme 

Douglas DC-2-112, VH-AEN (MSN 1259),
 'Mungana',
 Australian National Airways, Australia,
 November 1943

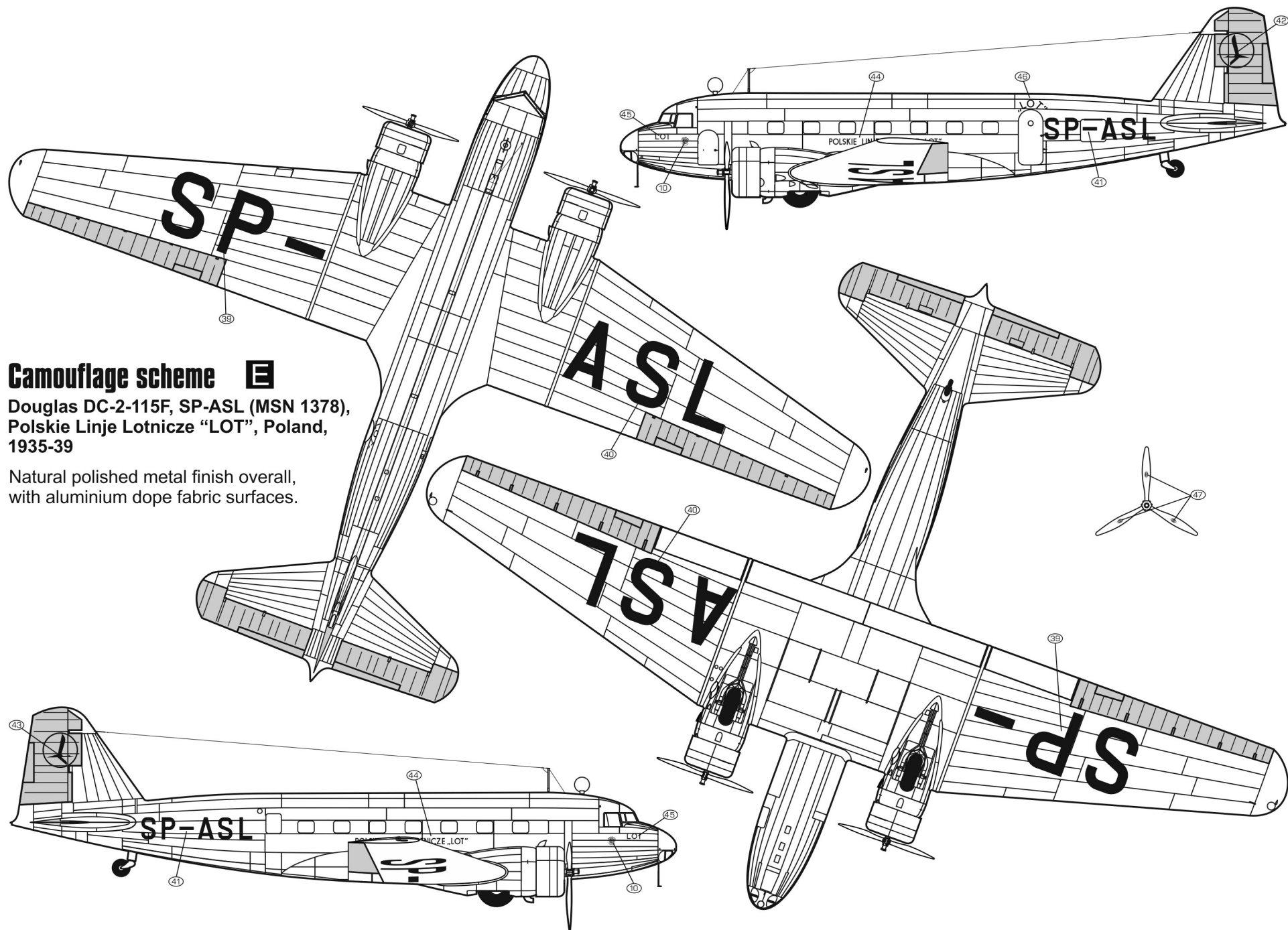
Natural polished metal finish overall,
 with aluminium dope fabric surfaces.



Camouflage scheme **D**

Douglas DC-2-115B,
 I-EROS (MSN 1319),
 Avio Linee Italiane S.A., Italy, 1935-40

Natural polished metal finish overall,
 with aluminium dope fabric surfaces.



Camouflage scheme 

Douglas DC-2-115F, SP-ASL (MSN 1378),
 Polskie Linje Lotnicze "LOT", Poland,
 1935-39

Natural polished metal finish overall,
 with aluminium dope fabric surfaces.