

PIPER L-4

PLEASURE FLYING

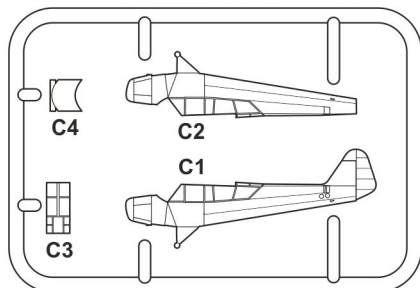


MKM144178
1/144 scale

MARK I Ltd.
PO Box 10
Prague 10 - Strašnice
CZ-100 31
Czech Republic
mark1@gmail.cz
www.4pluspublications.com

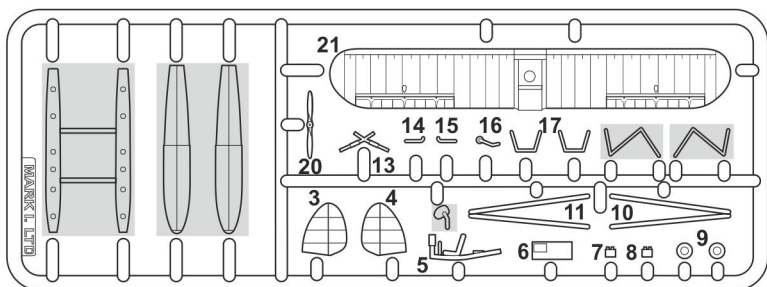
clear parts

2x



plastic parts

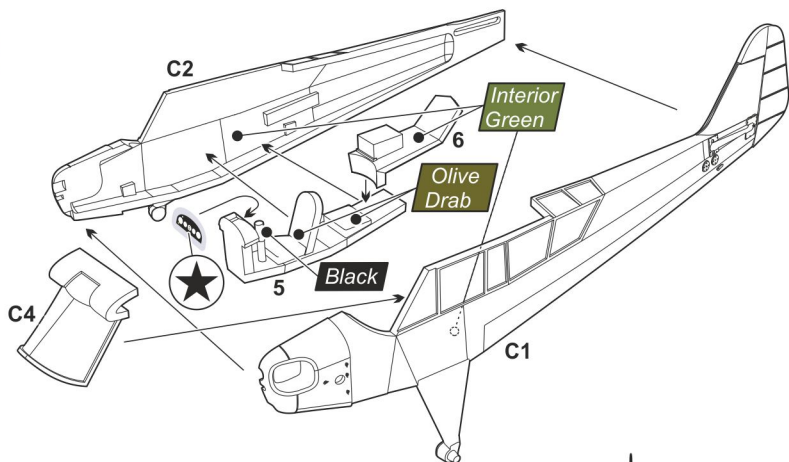
parts not
to be used



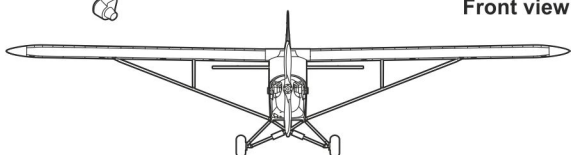
2x

- 2x Repeat this operation
- Glue
- Don't glue
- Decal
- Detach/cut
- ? Optional

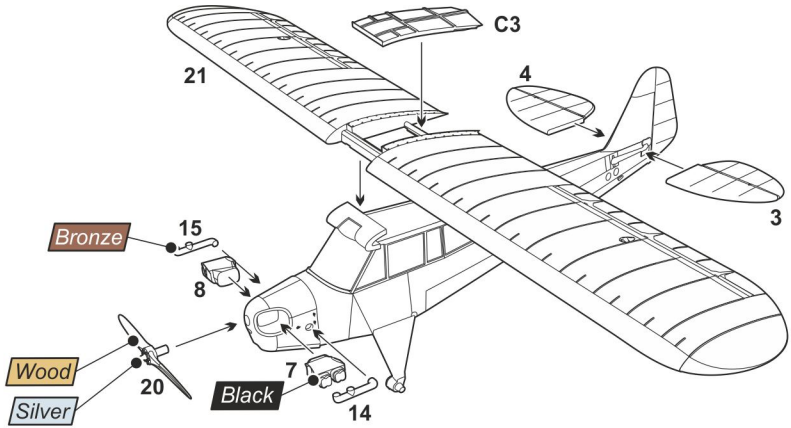
1



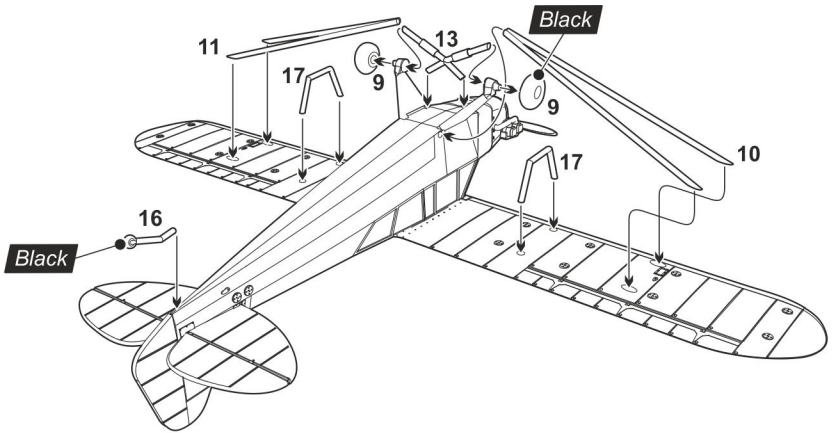
Front view



2

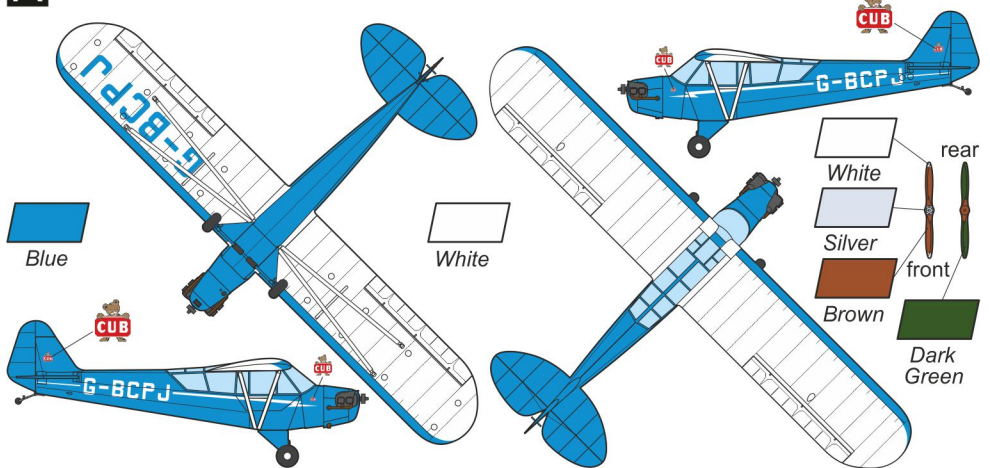


3

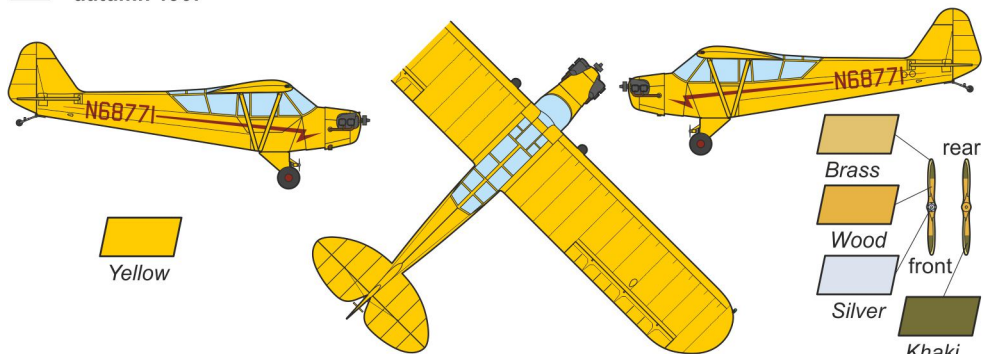


A

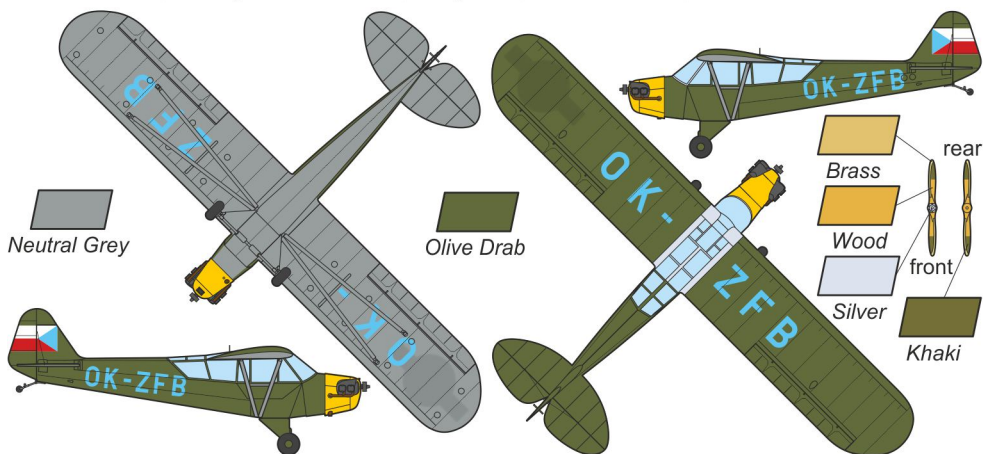
Piper L-4J Grasshopper (J-3C-65), G-BCPJ (s/n 45-4466), various airfields, U.K.. 2002-11



B Piper L-4J Grasshopper (J-3C-65), N68771 (s/n 45-55206), Chino Airport, California, U.S.A., autumn 1967



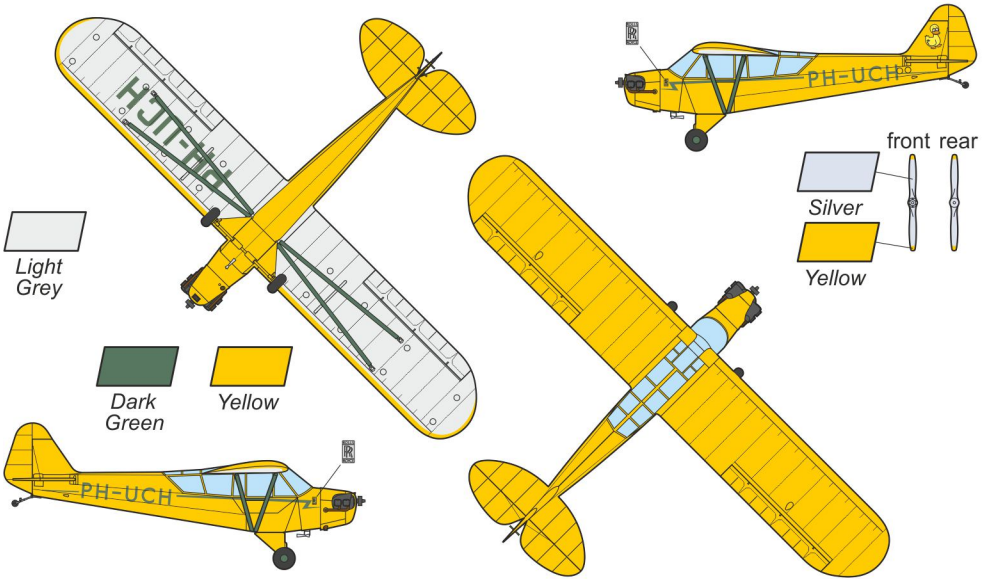
C Piper L-4H Grasshopper (J-3C-65), OK-ZFB (s/n 45-4422), Gliding Centre of the Czechoslovak Aeroclub, Maresyev airfield Hůrka, Nový Jičín, Czechoslovakia, 1949



D Piper L-4H Grasshopper (J-3C-65), SP-AFS (s/n 44-80013), Polish Aero Club Warsaw, Gocław airport, Poland, autumn 1947



E Piper L-4J Grasshopper (J-3C-65), PH-UCH (s/n 45-4508), Hilversum airfield, the Netherlands, autumn 1971



F Piper L-4H Grasshopper (J-3C-65), OO-CIN (s/n 43-30527), Schaffen-Diest airfield, Belgium, August 1988

