

Bristol Beaufighter Mk.IC

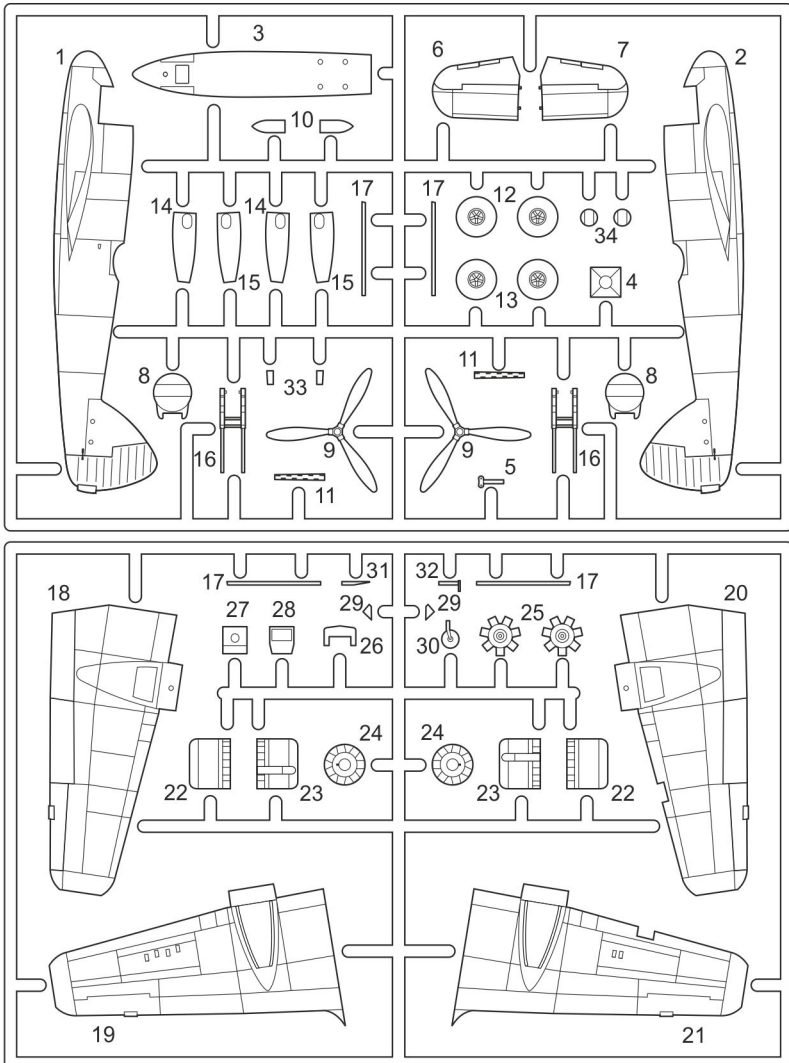
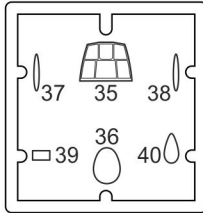
COASTAL PATROL



MKM14435
1/144 scale

clear parts

MARK I Ltd.
PO Box 10
CZ-100 31 Prague 10 - Strašnice
Czech Republic
mark1@cmail.cz
www.4pluspublications.com



2x Repeat this operation

Glue

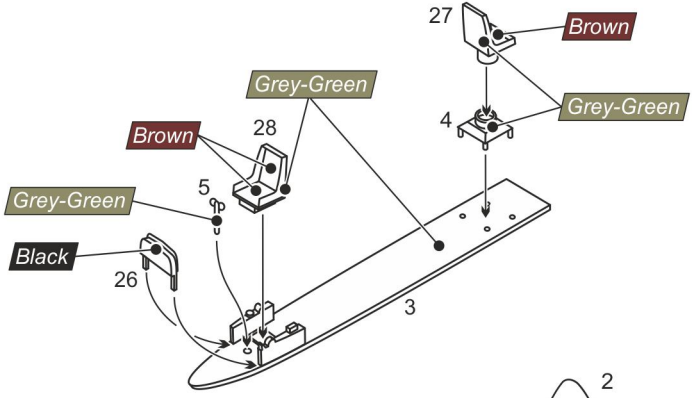
Bend

Drill

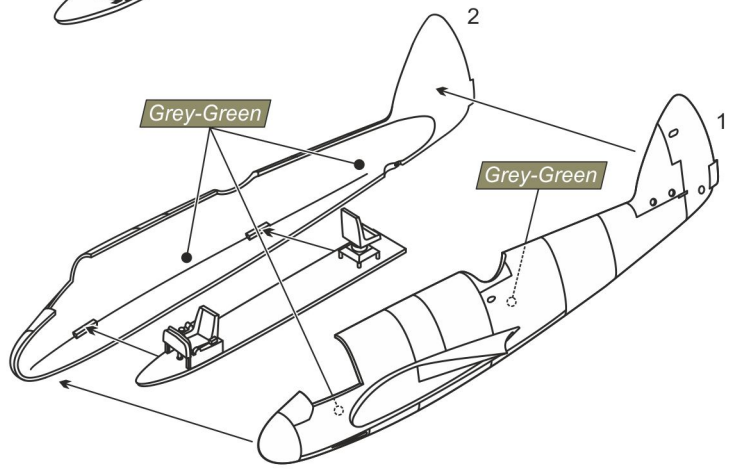
Detach/cut

Optional

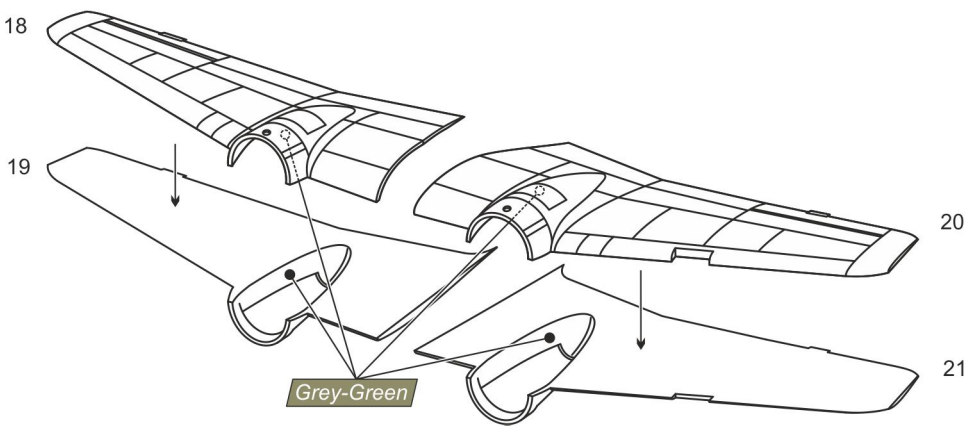
1



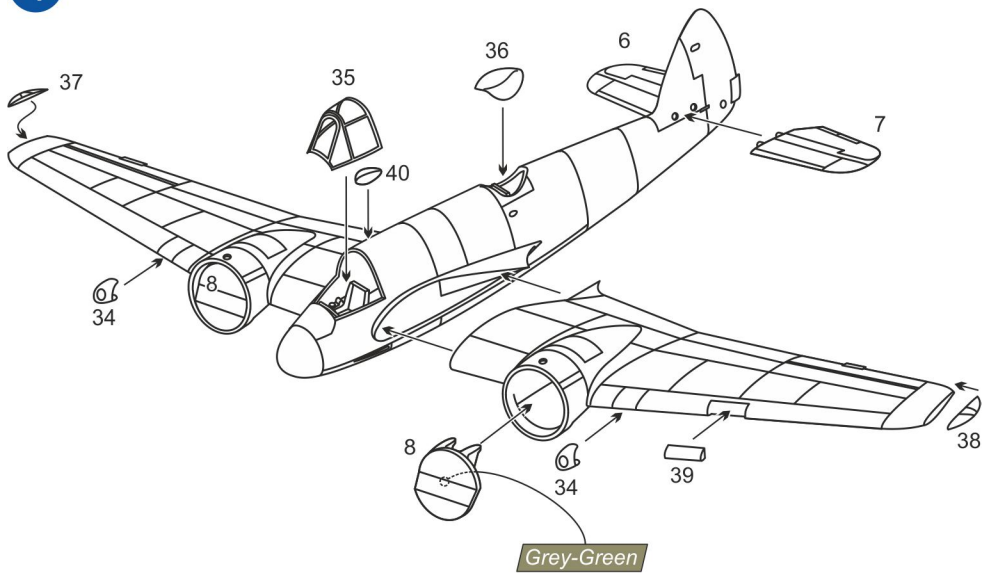
2



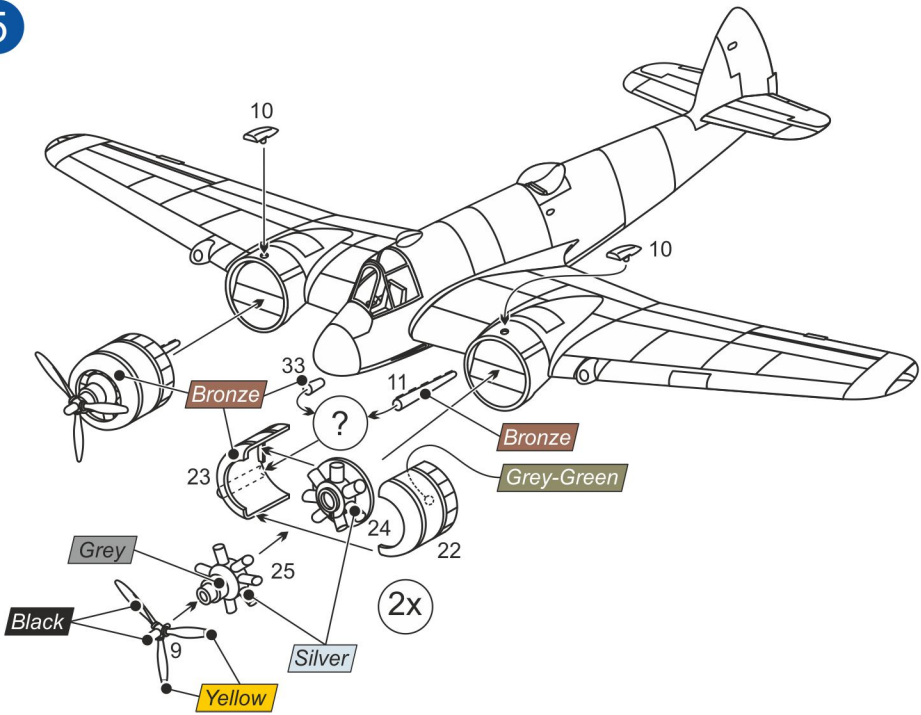
3



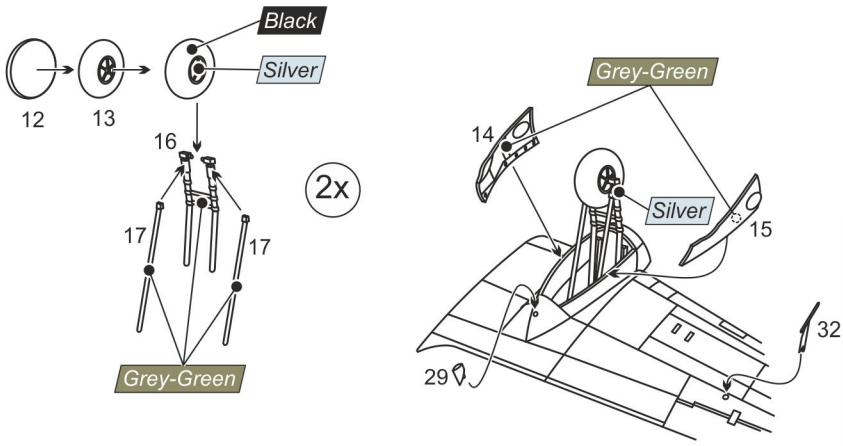
4



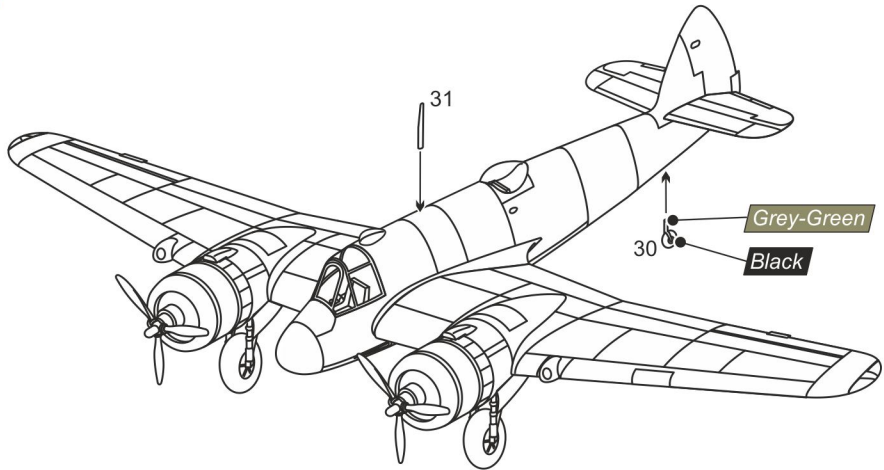
5



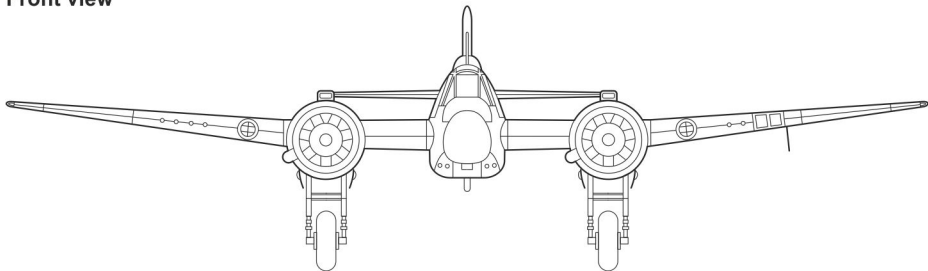
6

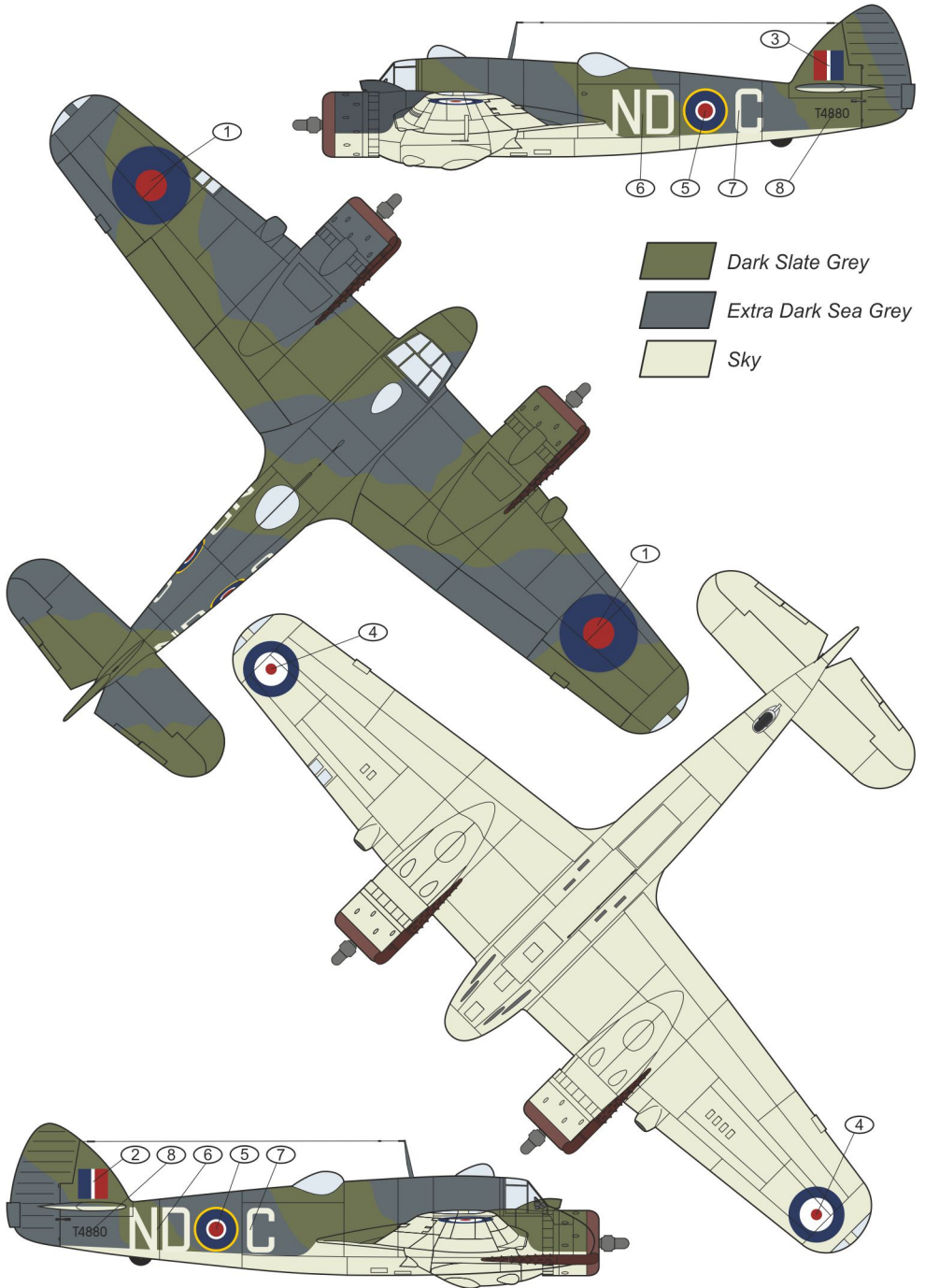


7



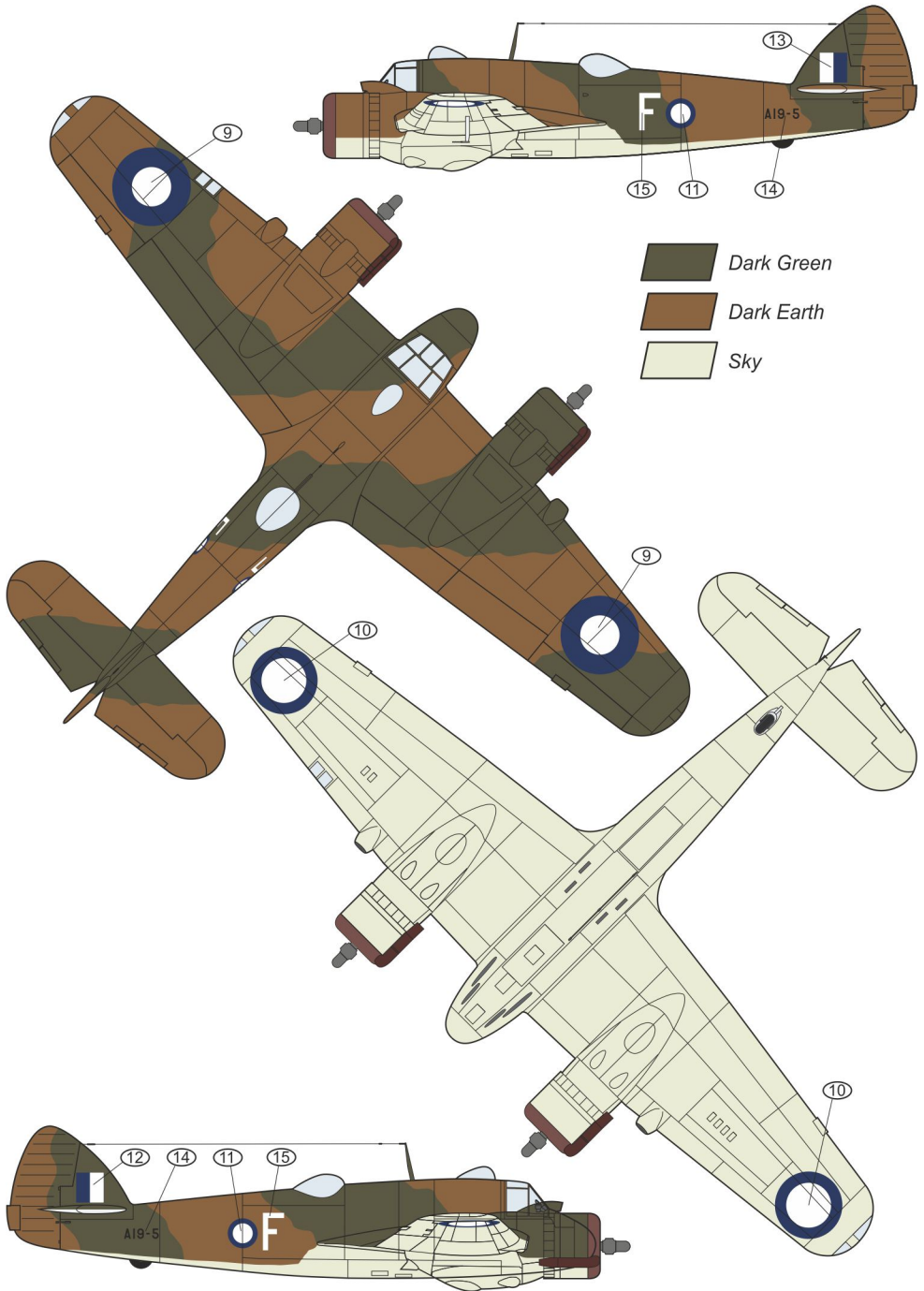
Front view



A**Bristol Beaufighter Mk.IC, Sky ND-C, No.236 Sq., RAF, Wattisham airfield, spring 1942**

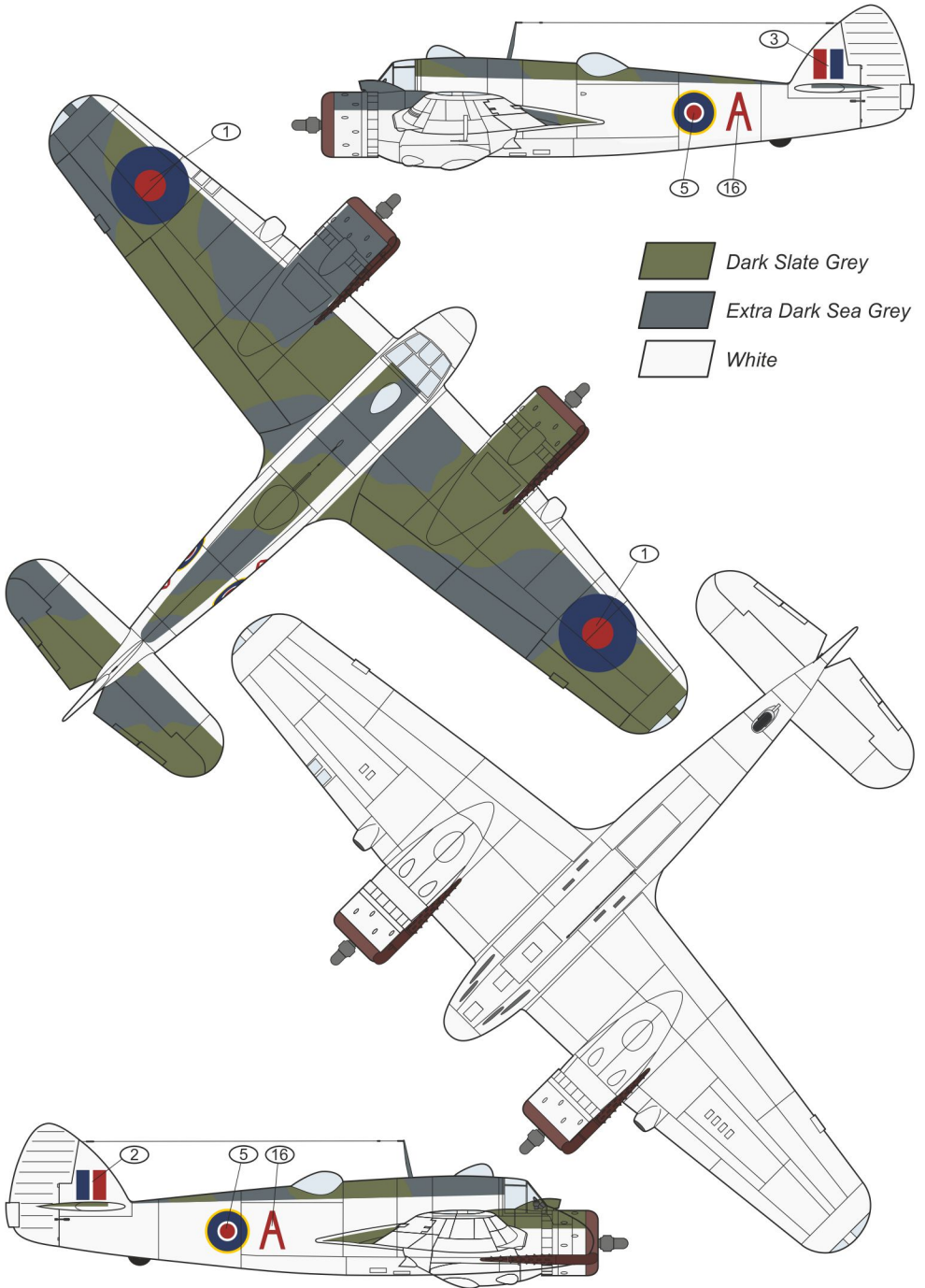
B

Bristol Beaufighter Mk.Ic, White F, No.30 Sq., RAAF, Wards airfield, Port Moresby, Papua New Guinea, autumn 1942





Bristol Beaufighter Mk.IC, Red A, No.235 Sq., RAF, Arbroath airfield, spring 1943





Bristol Beaufighter Mk.IC (ex-No.252 Sq. a/c), Italian Air Force, Guidonia airfield, Italy, 1942

