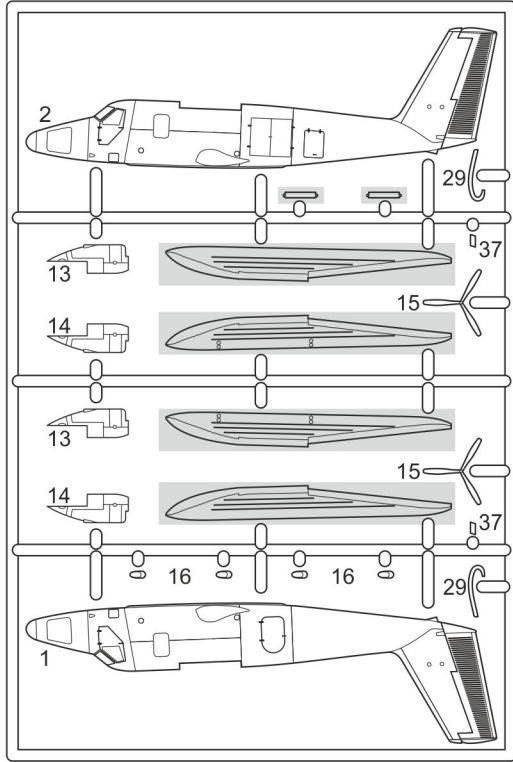


DHC-6-300 TWIN OTTER

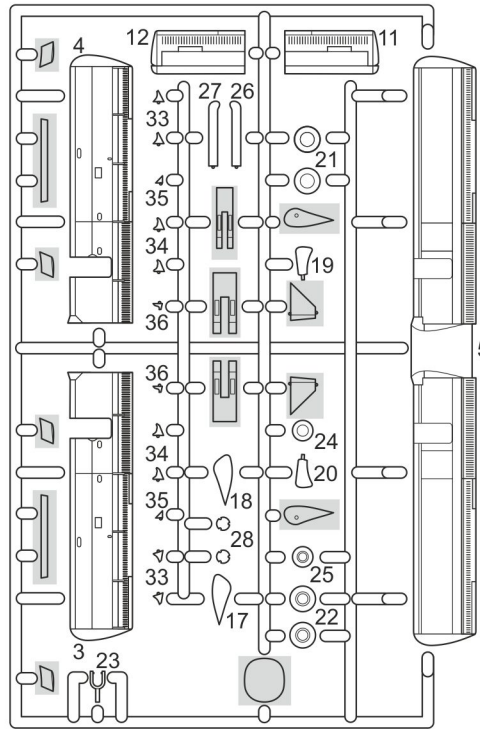
SCHREINER AIRWAYS



MKM144175L
1/144 scale



plastic parts



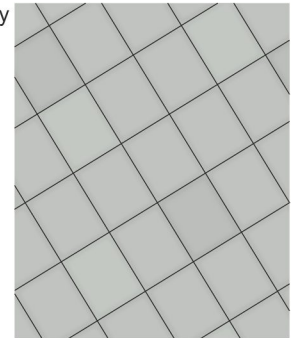
parts not to be used

MARK I Ltd.
PO Box 10
Prague 10 - Strašnice
CZ-100 31
Czech Republic
mark1@cmail.cz

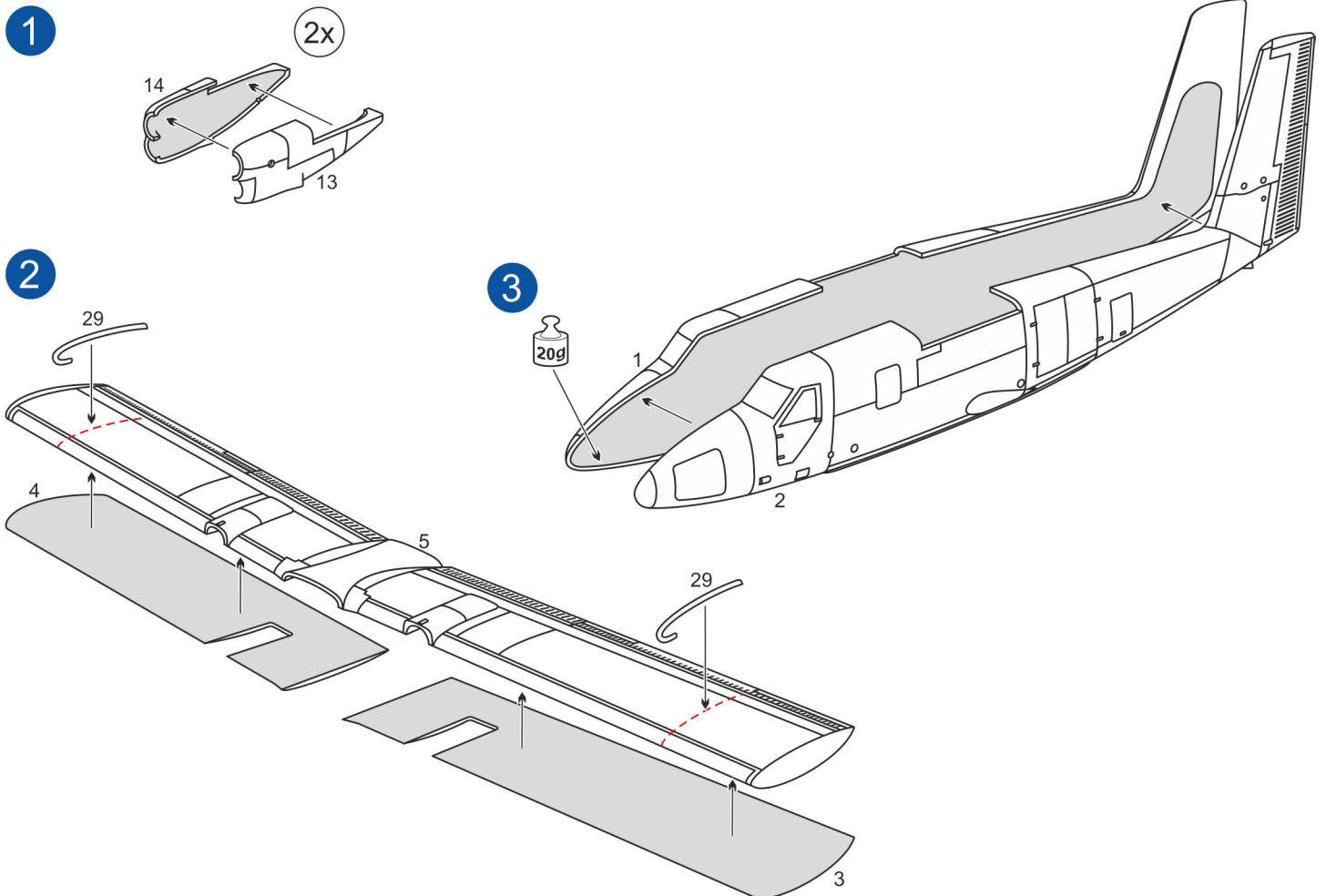


AVIATION MEGASTORE
(LUCHTVAART HOBBY SHOP)
Molenweg 249
1436 BV Aalsmeerderbrug
The Netherlands
info@aviationmegastore.com

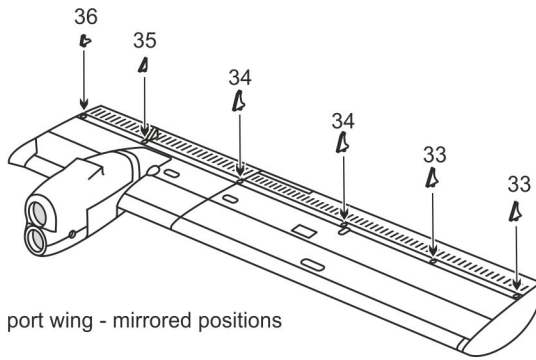
display base



- 2x Repeat this operation
- Glue
- Don't glue
- Decal
- Detach/cut
- Bend
- Drill
- ? Optional

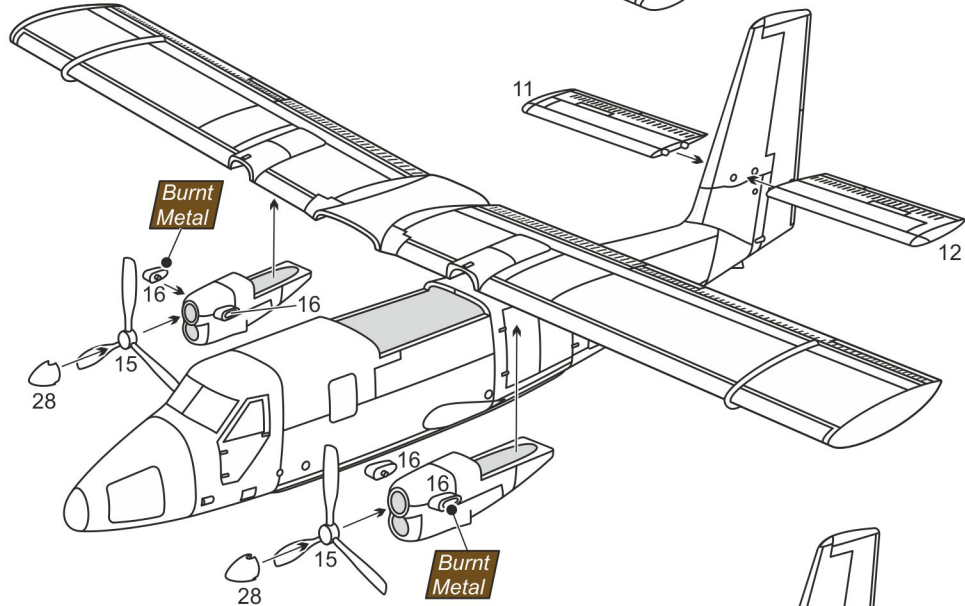


4

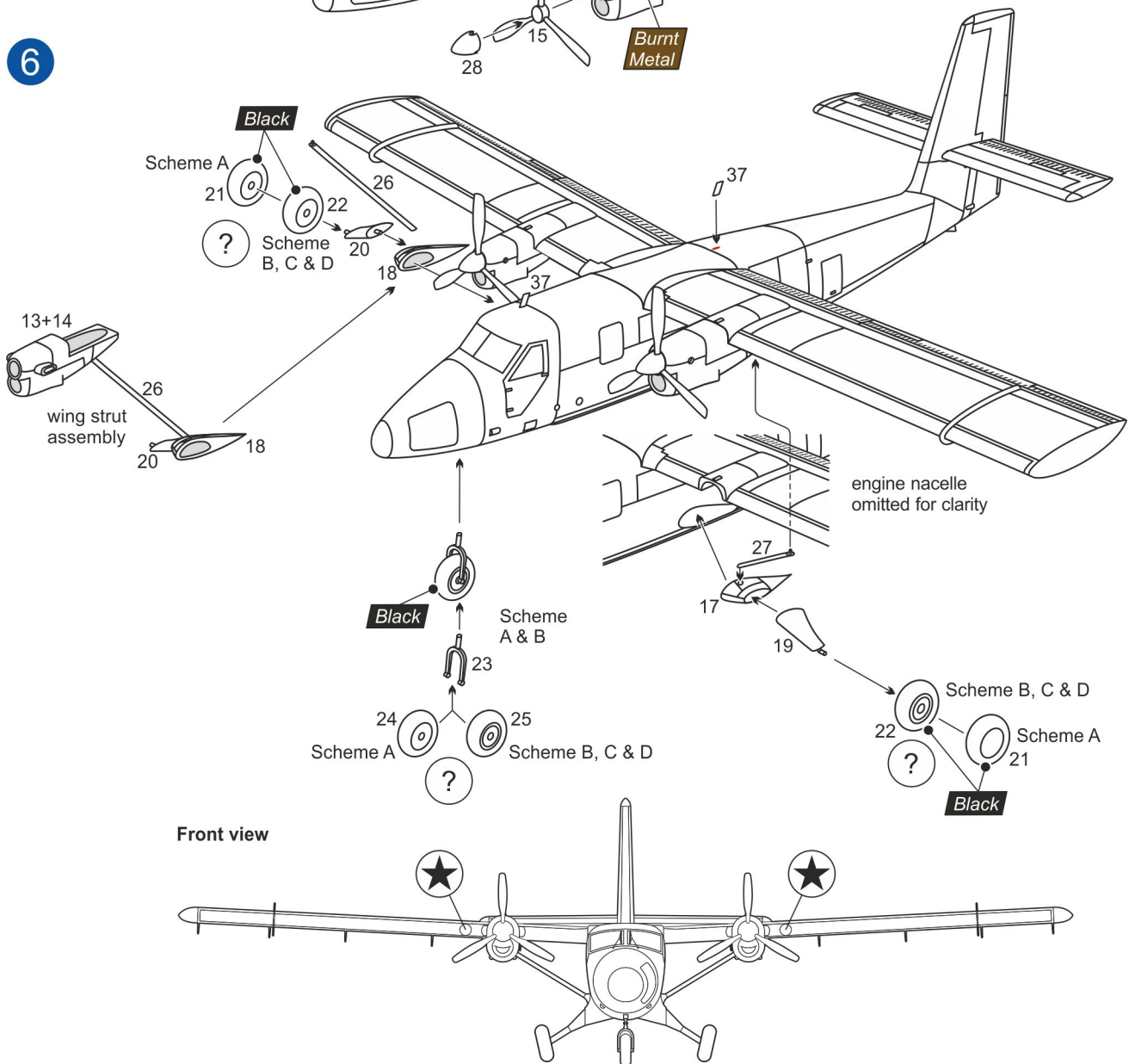


5

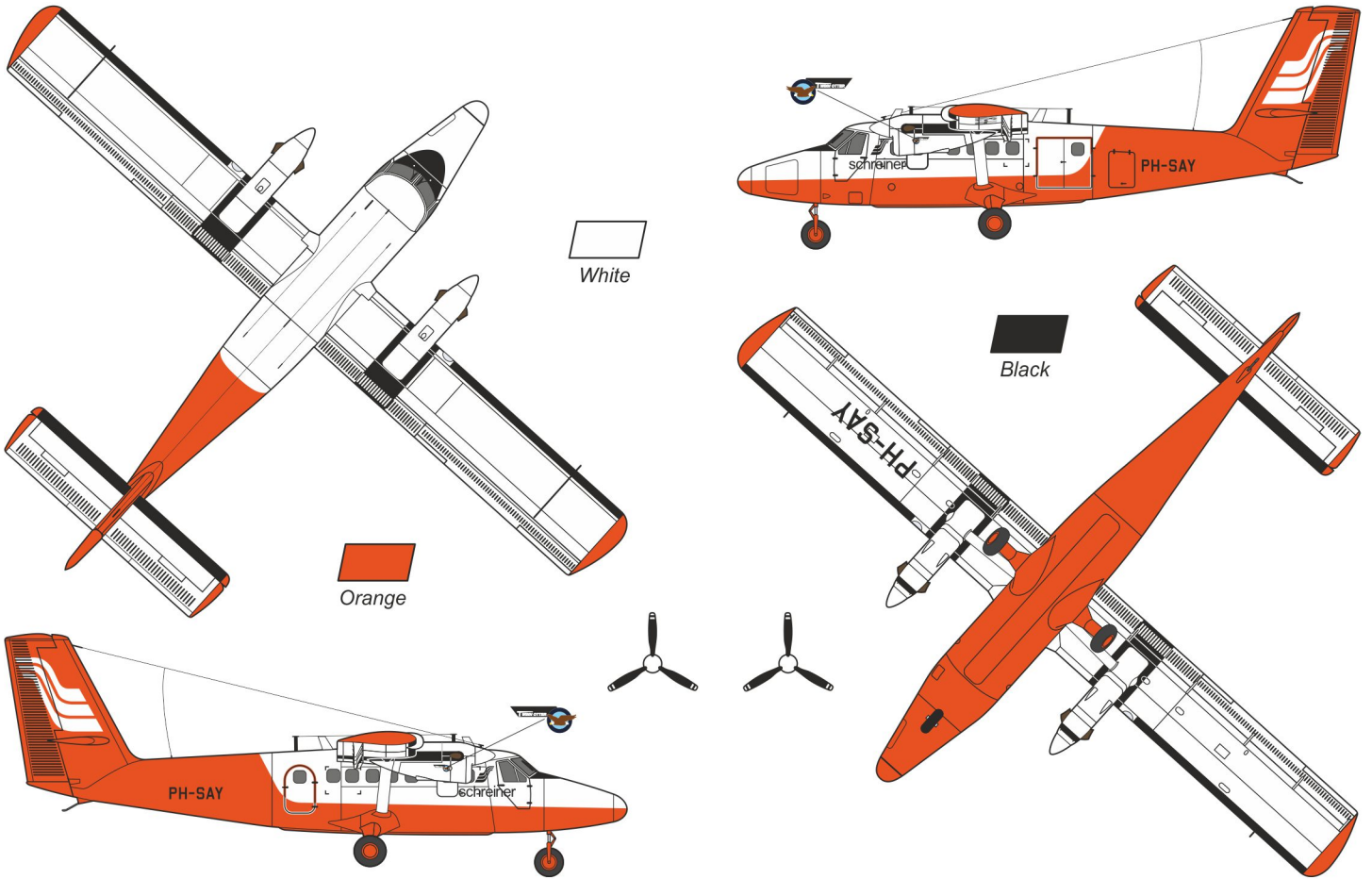
port wing - mirrored positions



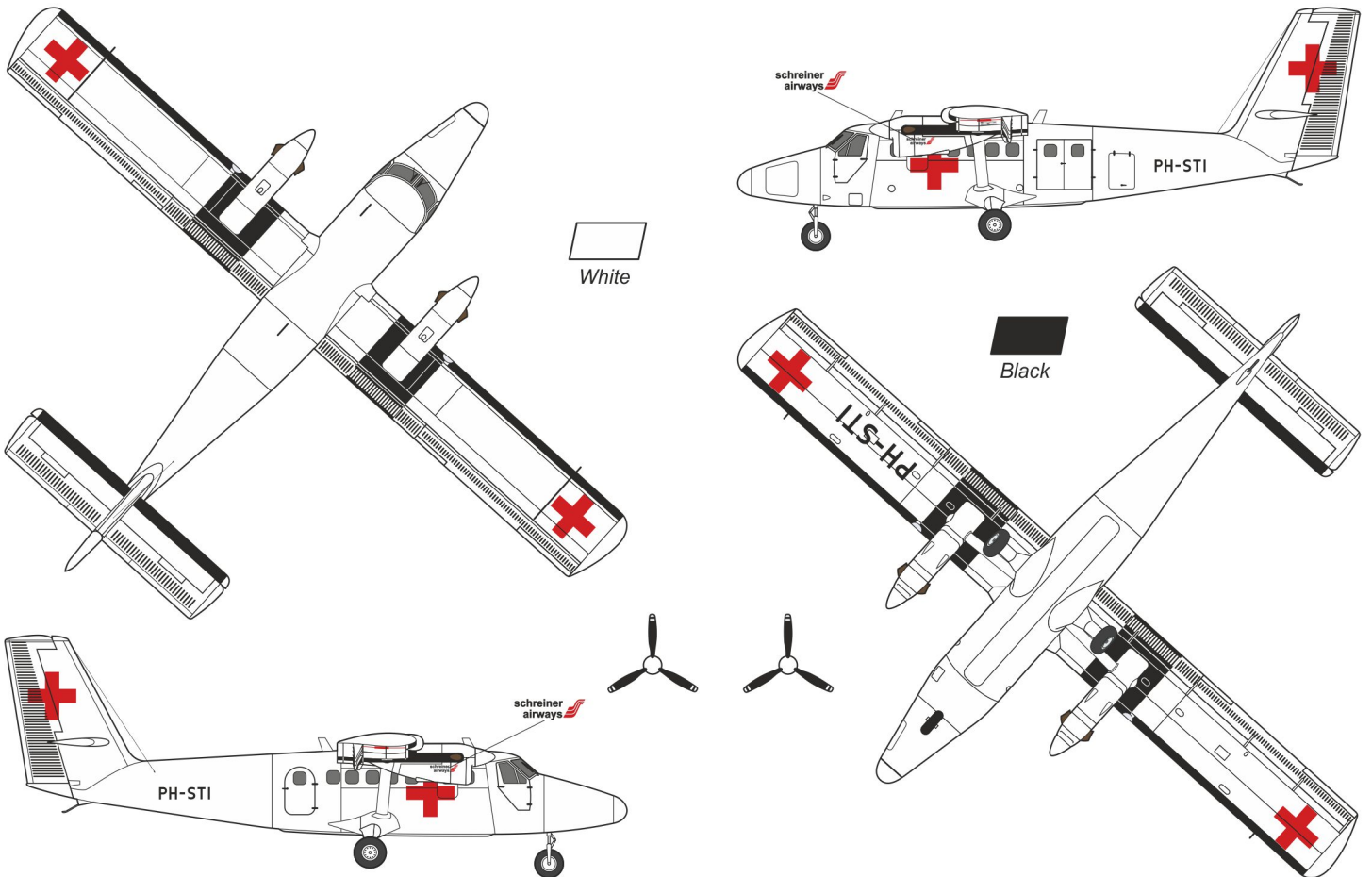
6



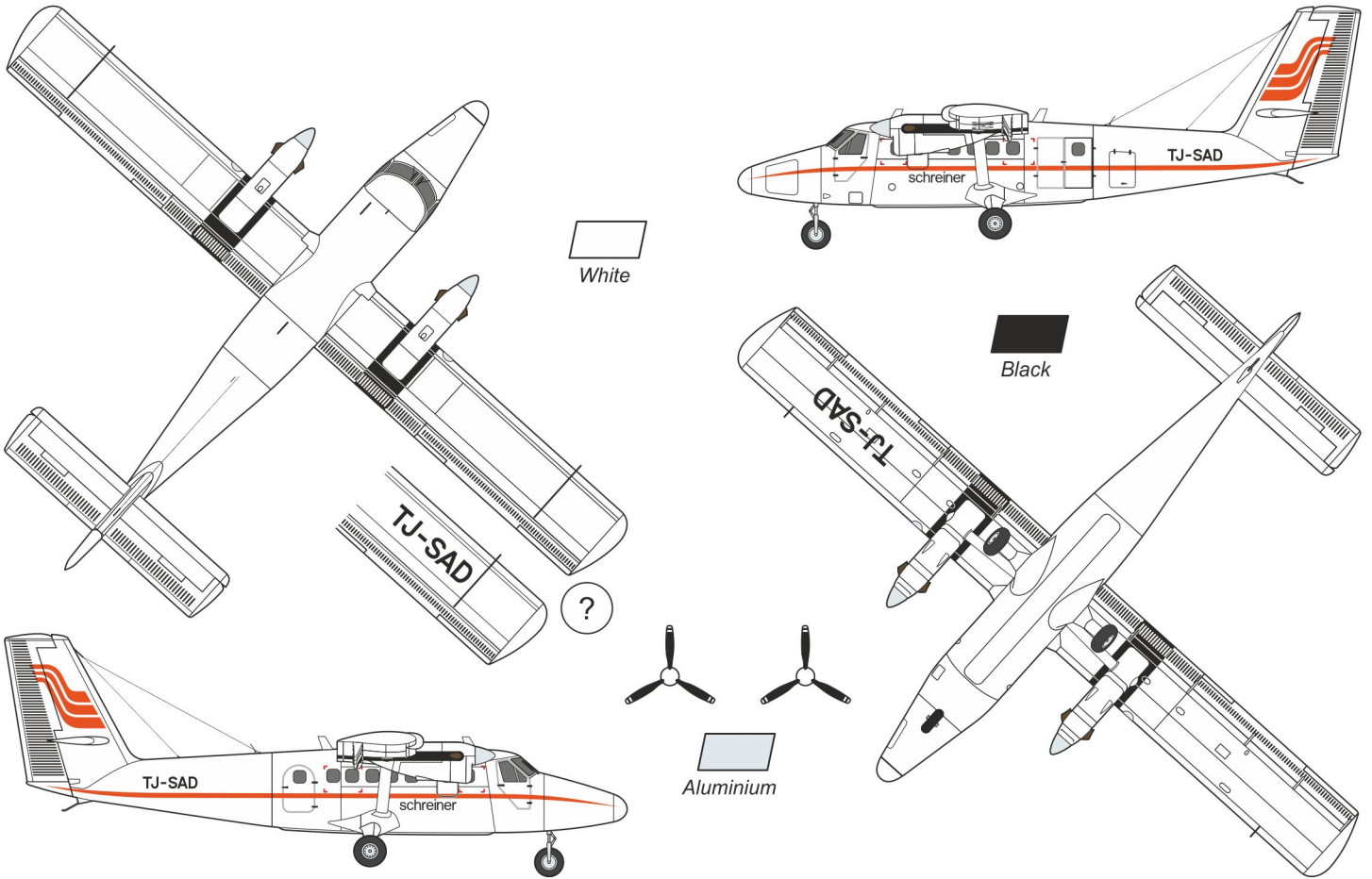
A de Havilland Canada DHC-6 (Series 300) Twin Otter, PH-SAY (MSN 626), Schreiner Airways, Maastricht and Rotterdam Airports, the Netherlands, 1979 - early 1980s



B de Havilland Canada DHC-6 (Series 300) Twin Otter, PH-STI (MSN 516), Schreiner Airways, Maastricht and Amsterdam Airports, the Netherlands, late 1985 - late 1987



C de Havilland Canada DHC-6 (Series 300) Twin Otter, TJ-SAD (MSN 600), Schreiner Airways Cameroon, Douala International Airport, Cameroon, 2002-08



D de Havilland Canada DHC-6 (Series 300) Twin Otter, TJ-ALL (MSN 572), Schreiner Airways Cameroon, Douala International Airport, Cameroon, 2001-08

