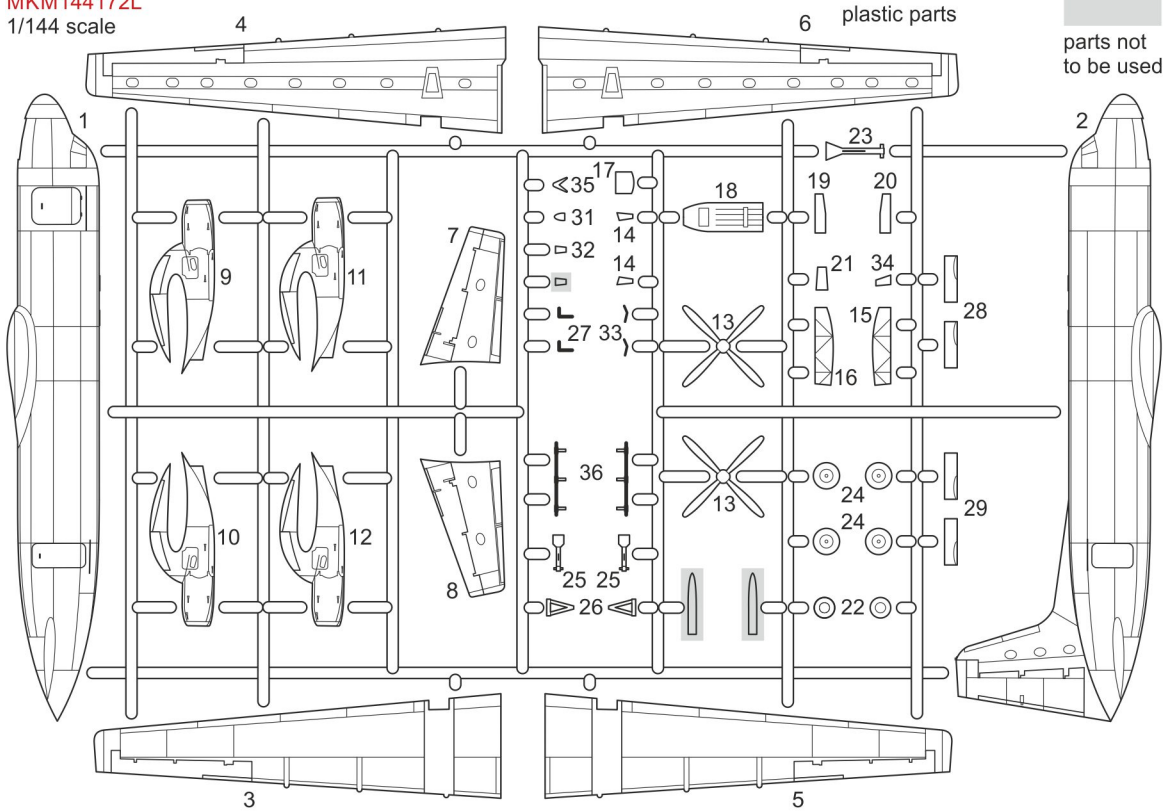


HS.748/BAE.748

IN CIVILIAN SKIES

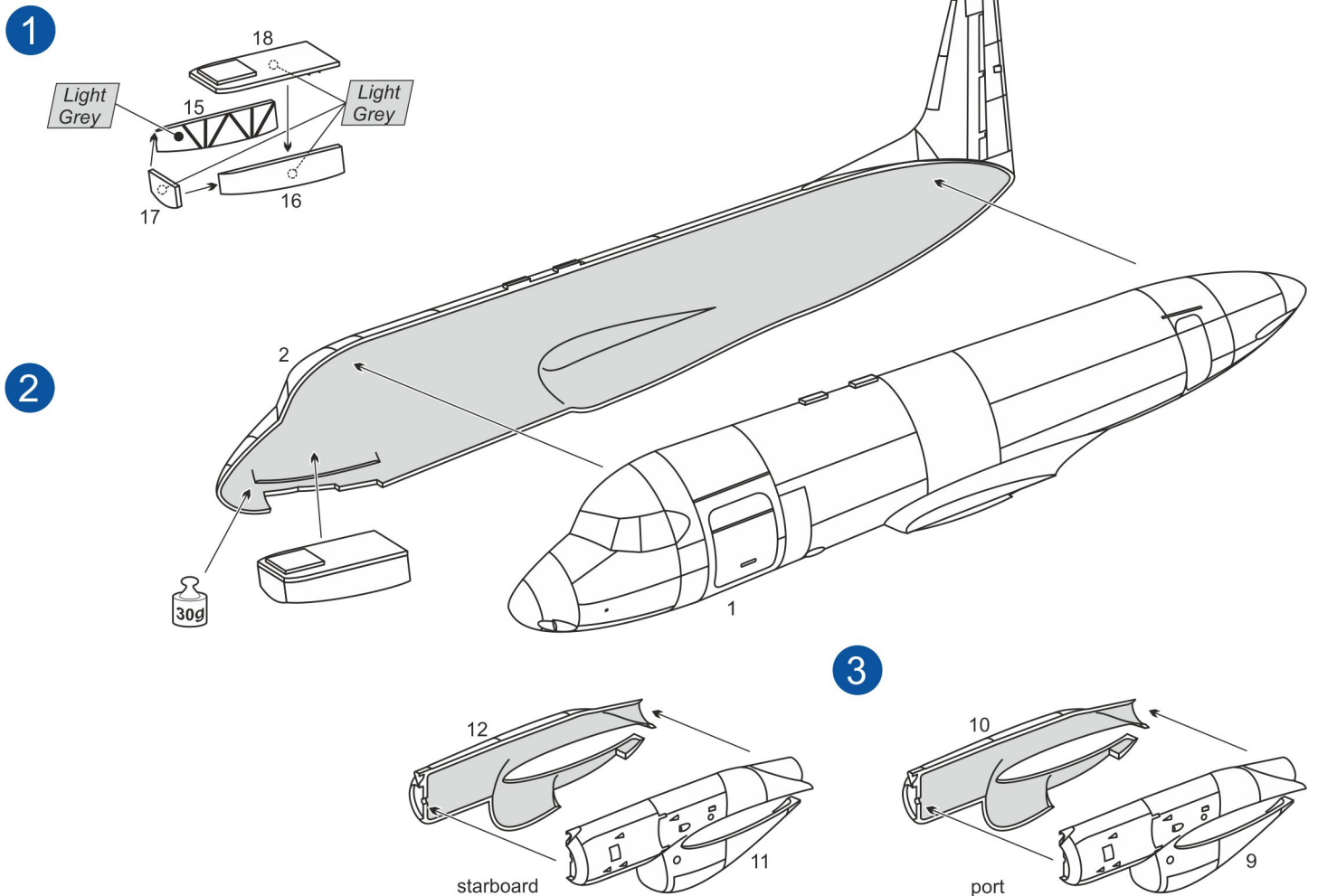


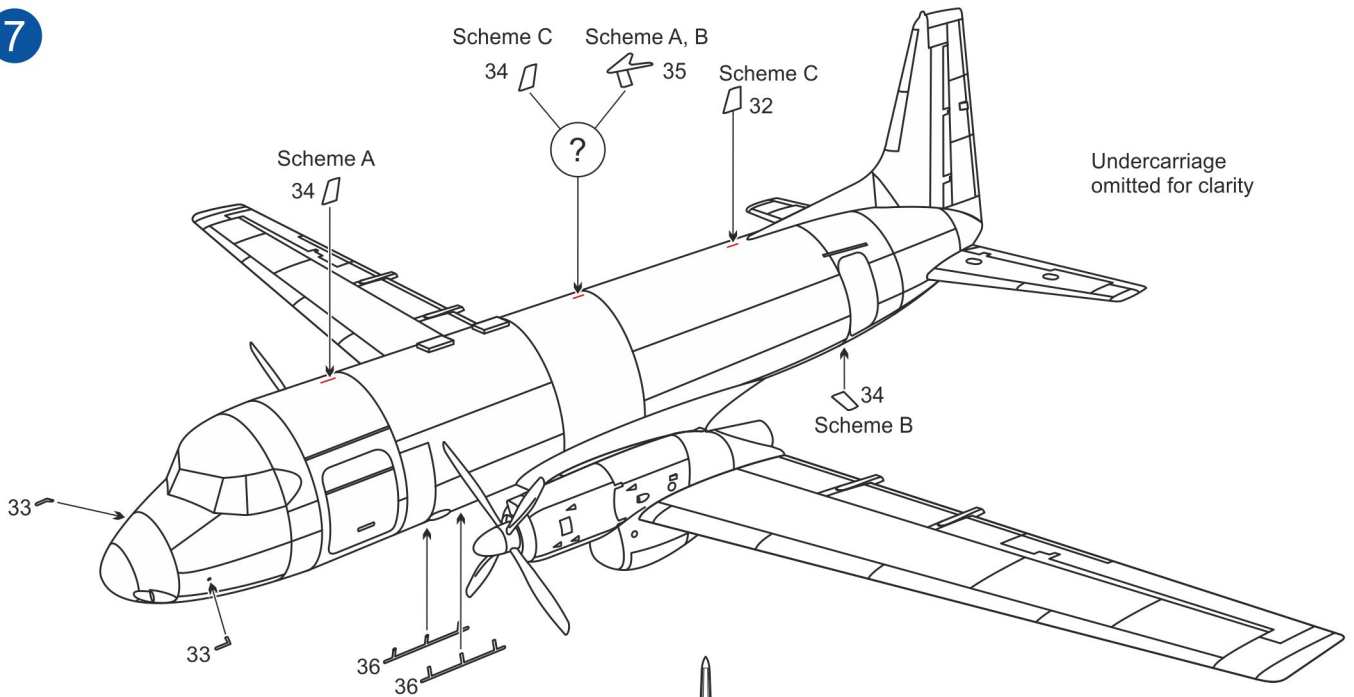
MKM144172L
1/144 scale



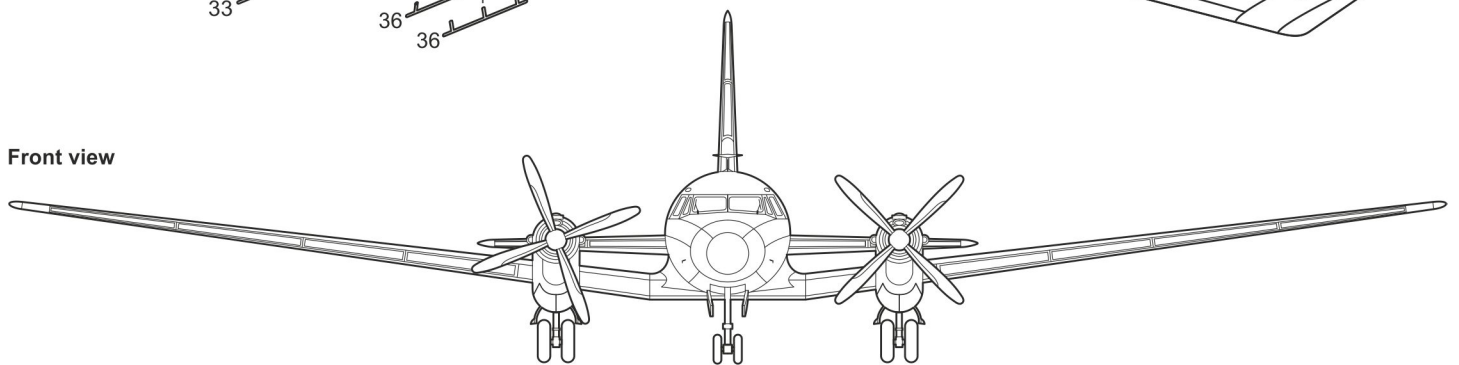
MARK I Ltd.
PO Box 10
Prague 10 - Strašnice
CZ-100 31
Czech Republic
mark1@gmail.cz
www.4pluspublications.com

- Repeat this operation
- Glue
- Don't glue
- Decal
- Detach/cut
- Bend
- Drill
- Optional

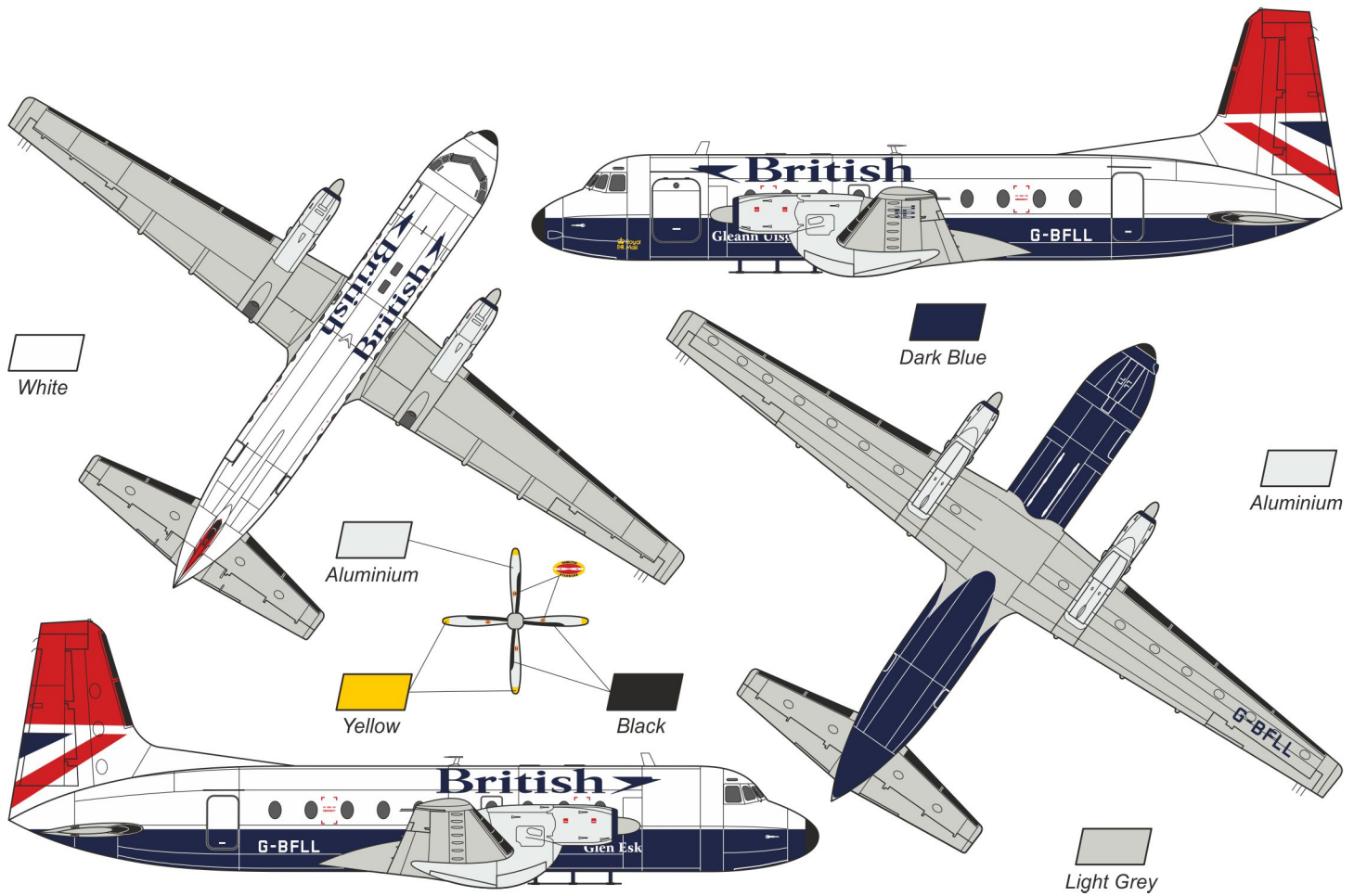




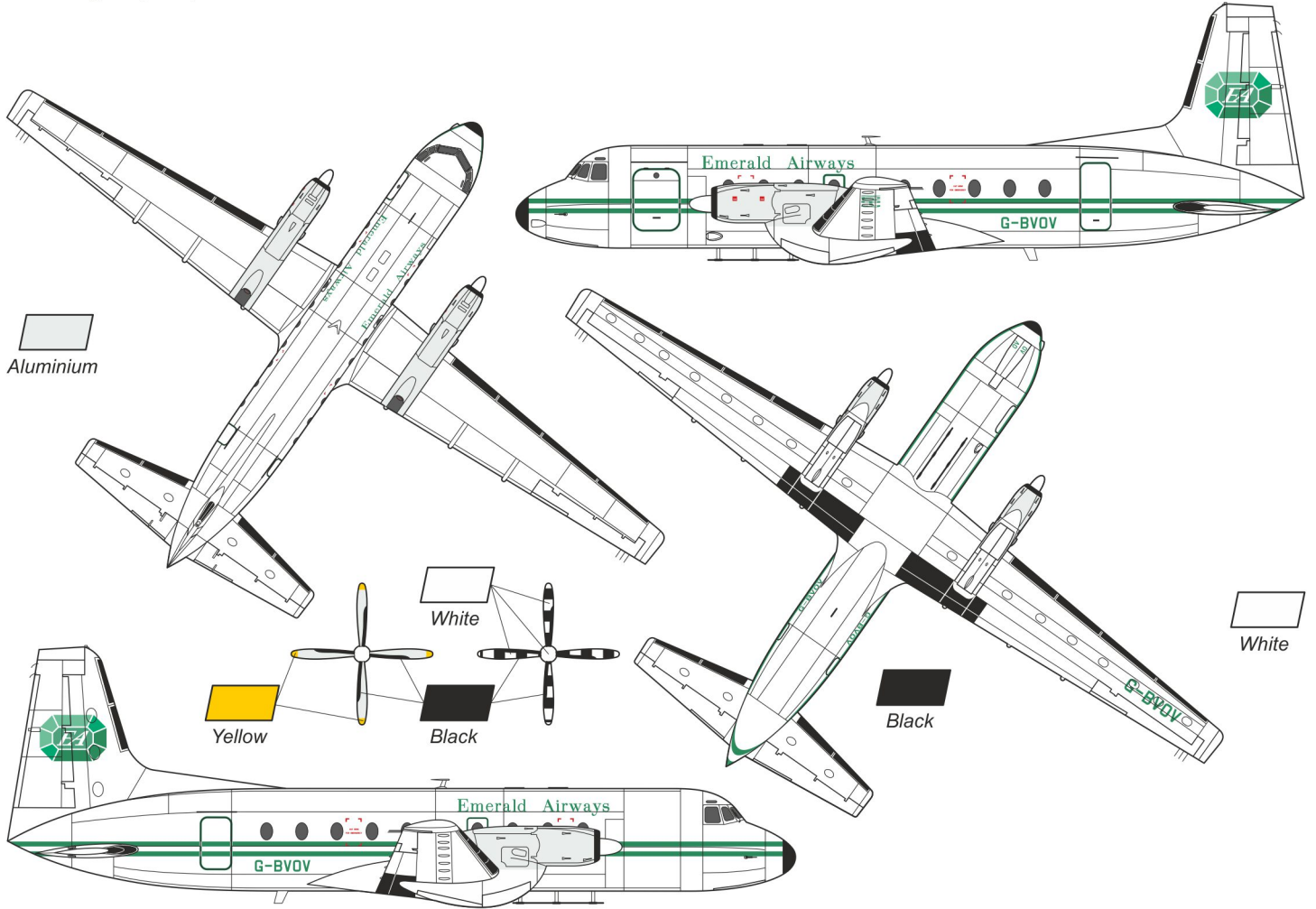
Front view



A Hawker Siddeley HS.748 (Srs.2A Model 245), G-BFLL (c/n 1658), 'Glen Esk/Gleann Uisge', British Airways Ltd., Glasgow Airport, Renfrewshire, Scotland, U.K., 1983-84



B British Aerospace BAe.748 (Srs.2A Model 372), G-BVOV (c/n 1777), Emerald Airways Ltd., Liverpool/John Lennon Airport, Merseyside, England, U.K., 1994-2006



C Hawker Siddeley HS.748 (Srs.2A Model 229), SE-LIF (c/n 1596), 'Number 10', West Air Sweden, Lidköping-Hovby and Sturup/Malmö Airports, Sweden, 1997-2007

