

DHC-6-300 TWIN OTTER

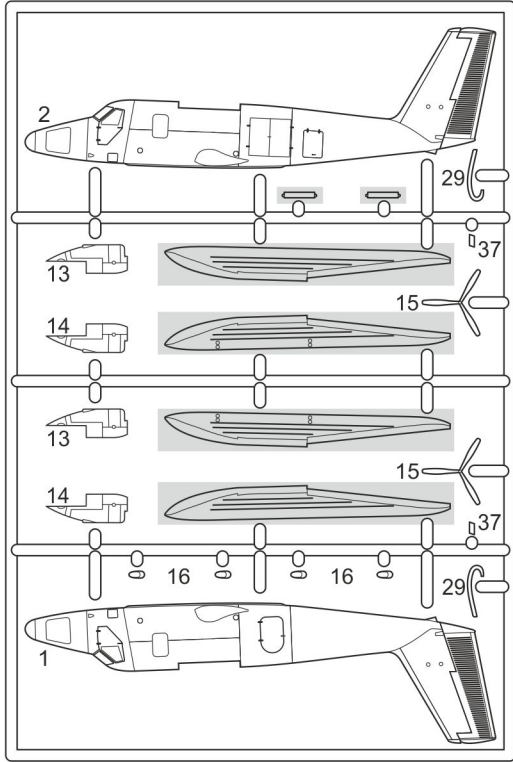
IN CIVILIAN SKIES



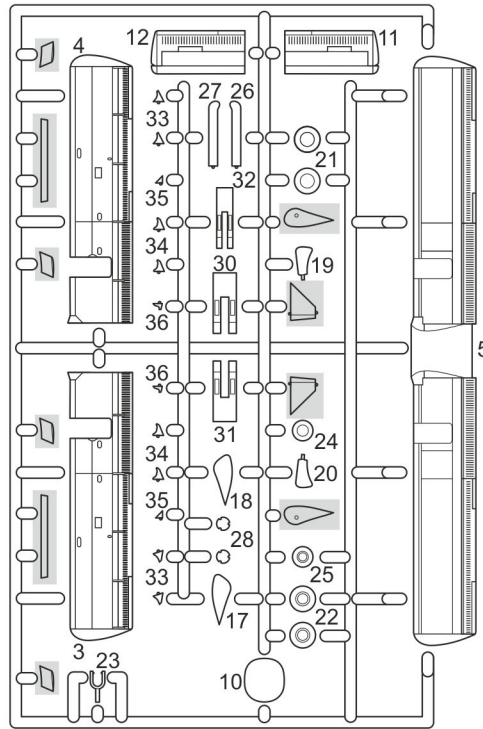
MKM144142
1/144 scale

parts not
to be used

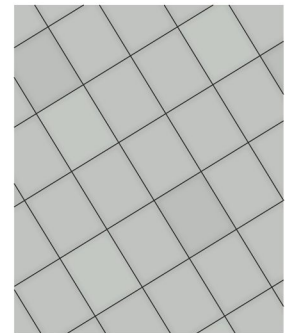
MARK I Ltd.
PO Box 10
Prague 10 - Strašnice
CZ-100 31
Czech Republic
mark1@cmail.cz



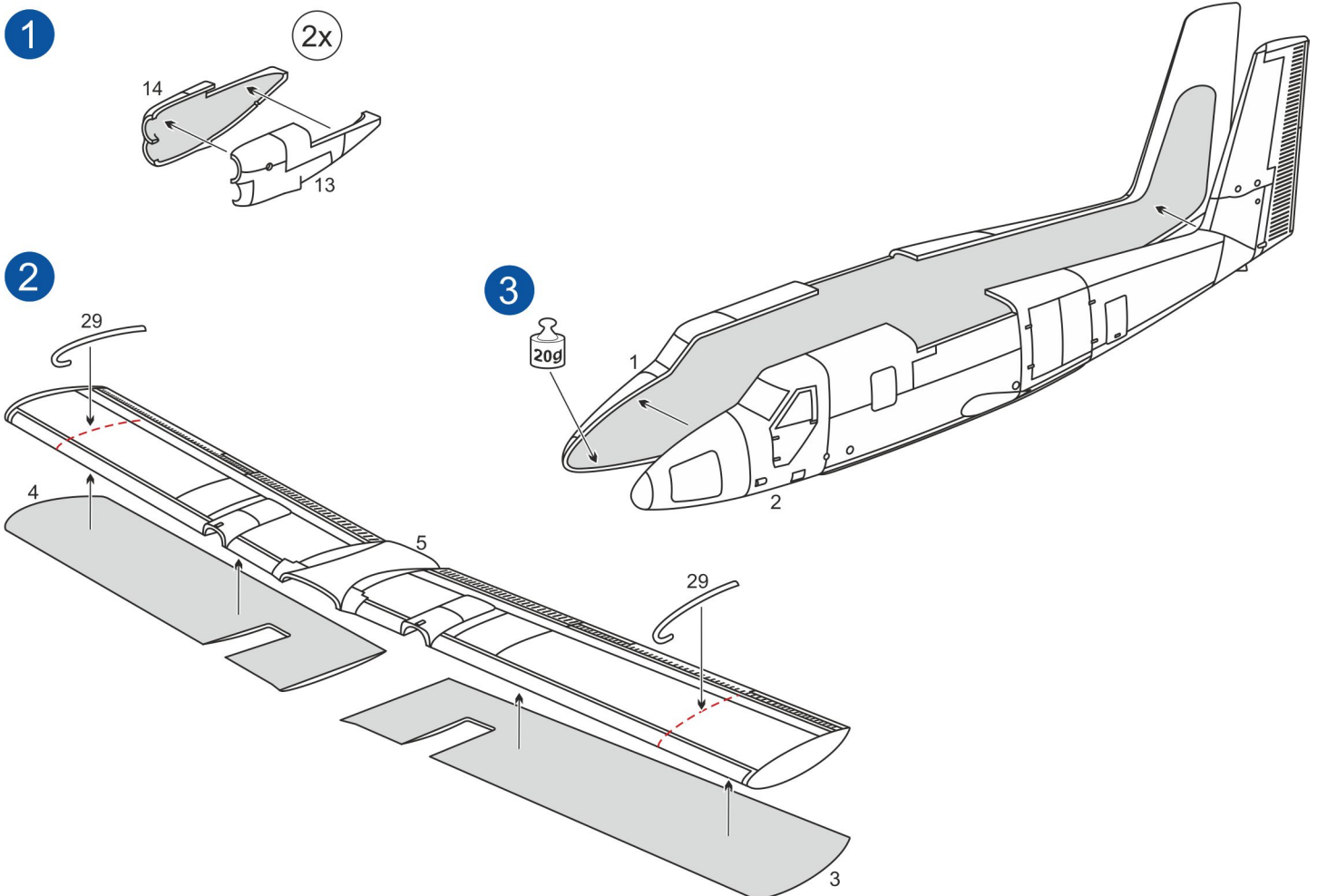
plastic parts



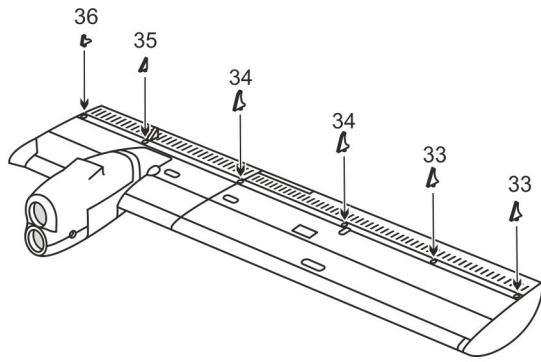
display base



- Repeat this operation
- Glue
- Don't glue
- Decal
- Detach/cut
- Bend
- Drill
- Optional

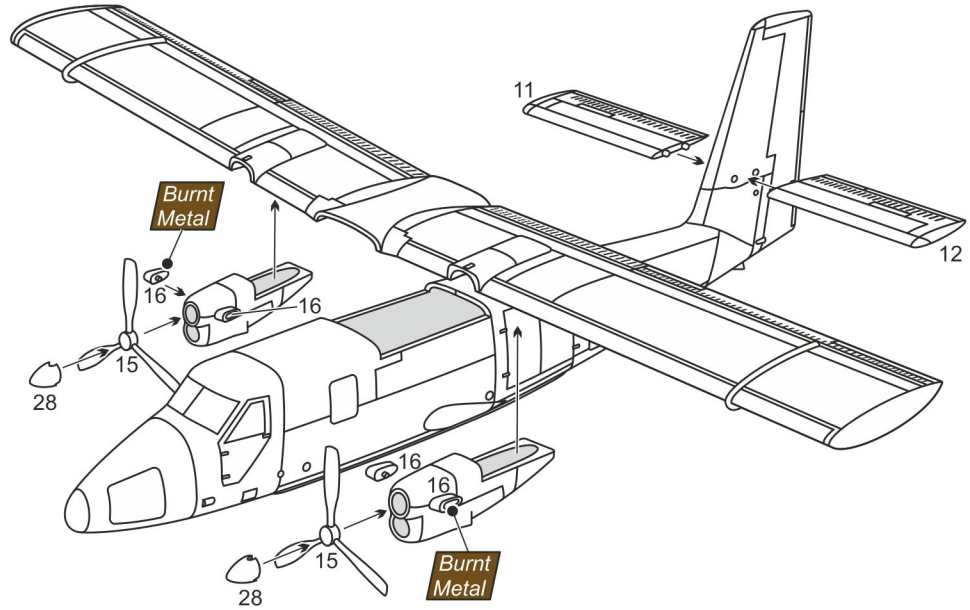


4

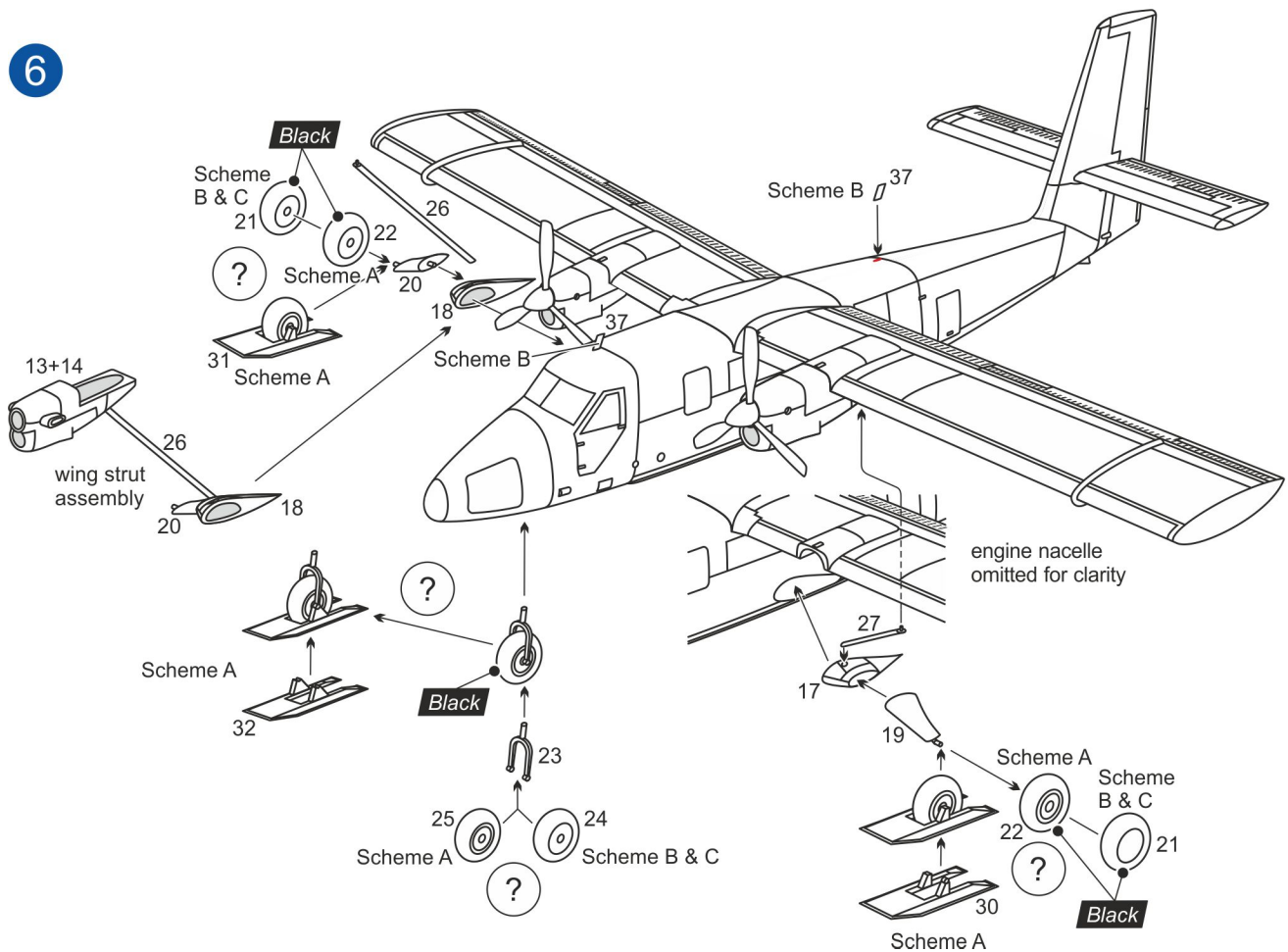


port wing - mirrored positions

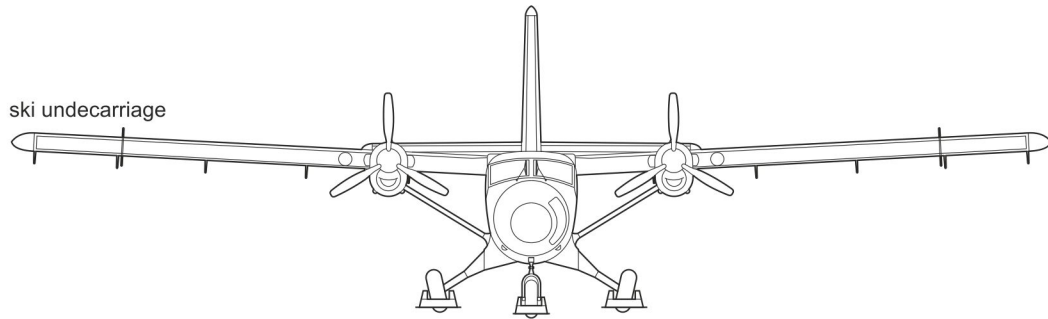
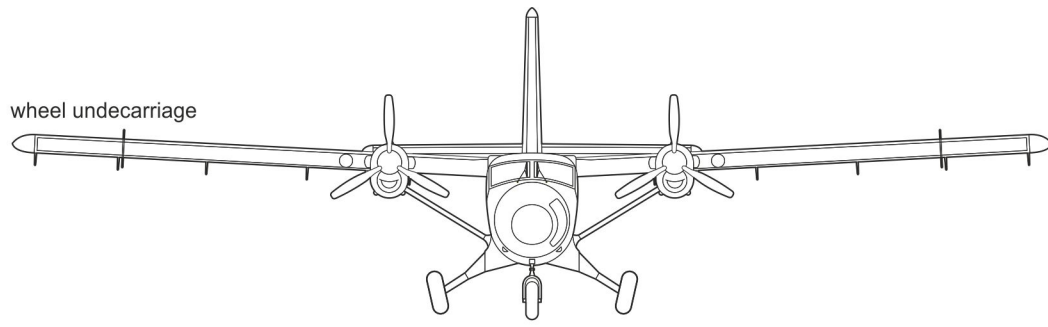
5



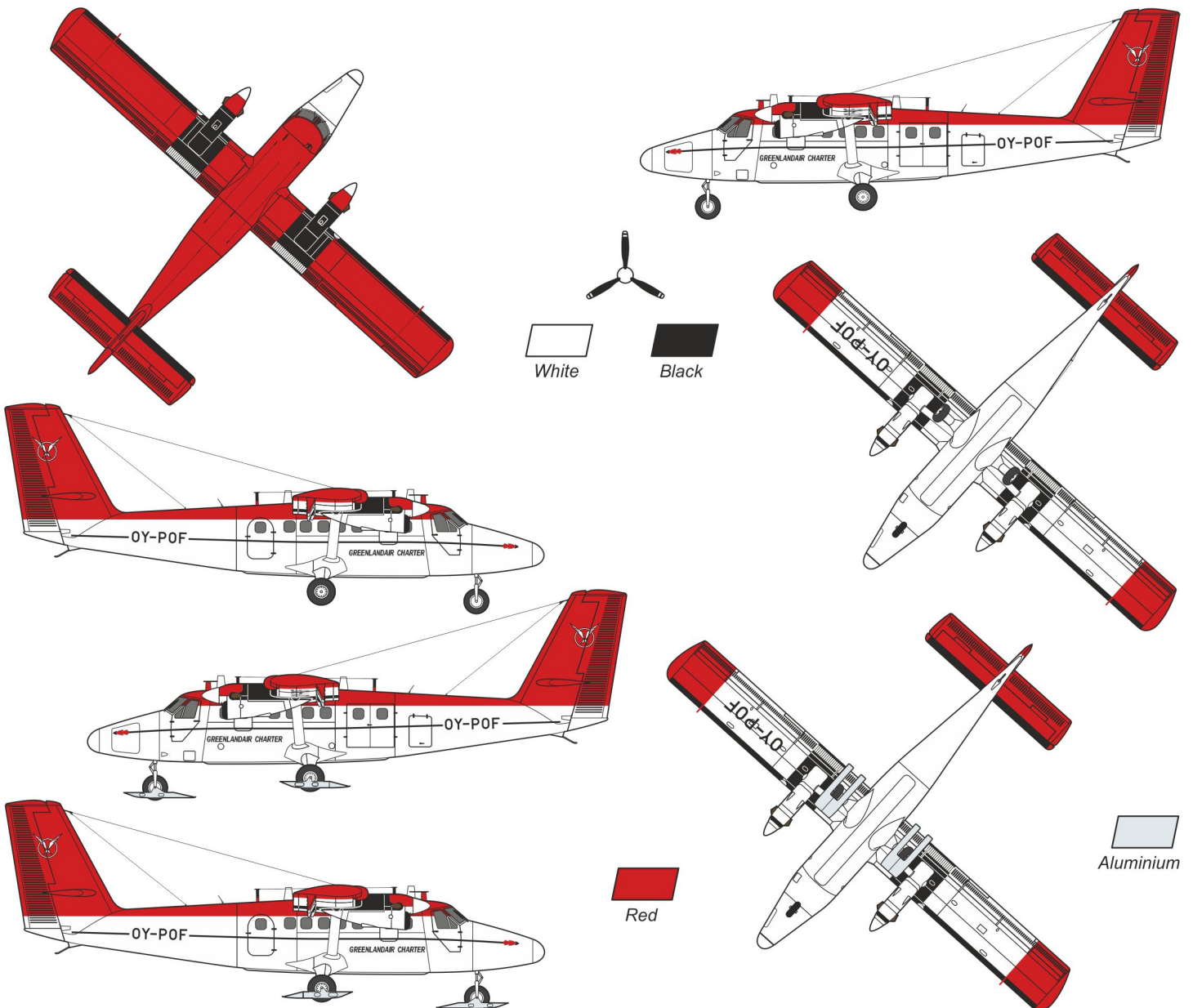
6



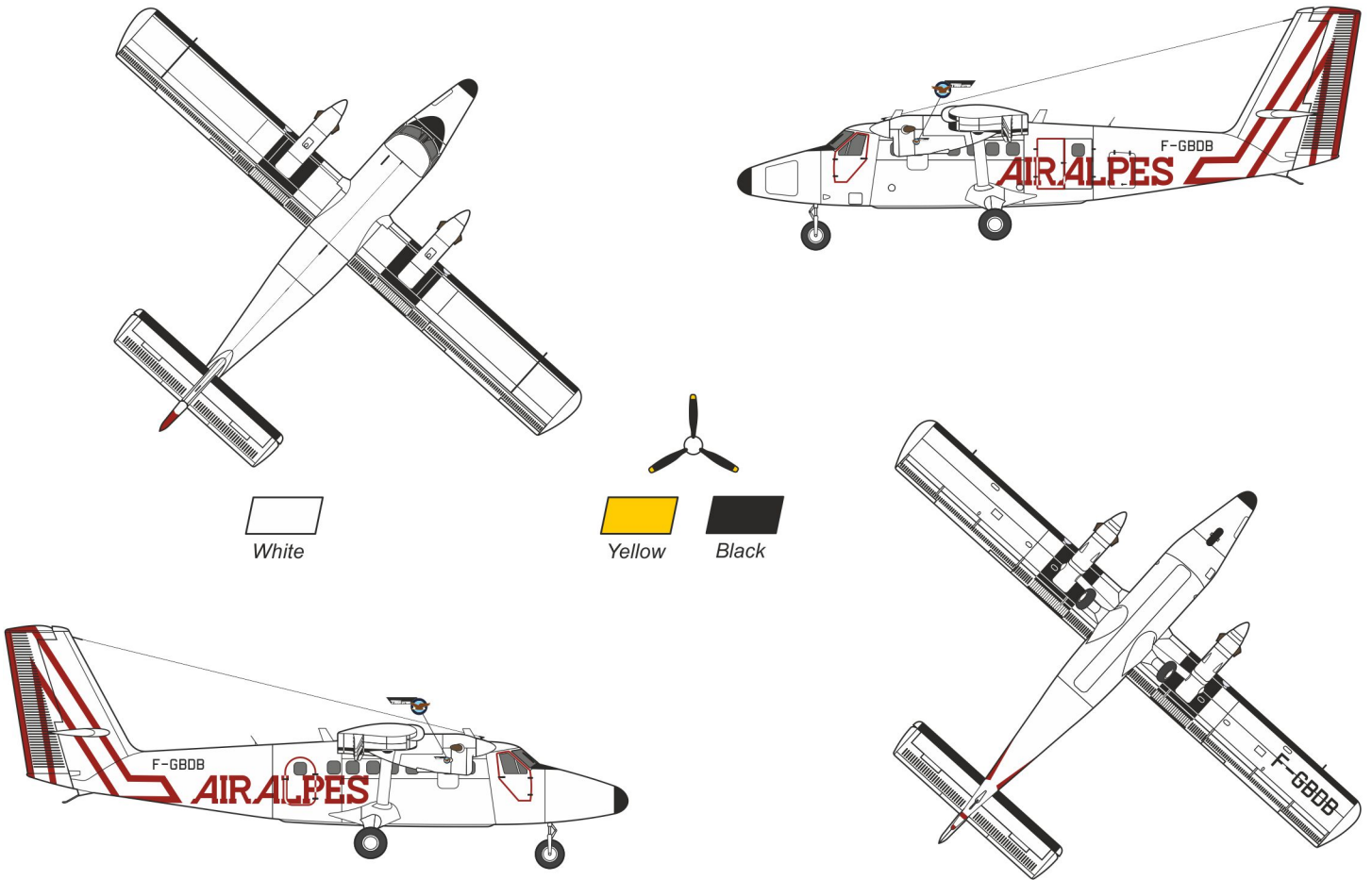
Front view



A de Havilland Canada DHC-6 (Series 300) Twin Otter, OY-POF (MSN 235), Greenlandair Charter Air Service, Nuuk Airport, Greenland, leased to Norwegian Antarctic Expedition, Antarctica, 1986/87



B de Havilland Canada DHC-6 (Series 300) Twin Otter, F-GBDB (MSN 574), Air Alpes, Chambéry Airport, France, 1978-81



C de Havilland Canada DHC-6 (Series 300) Twin Otter, D-IDHB (MSN 336), 'Helgoland', General Air, Hamburg Airport, Germany, 1971-73

