

# DHC-6-300 TWIN OTTER

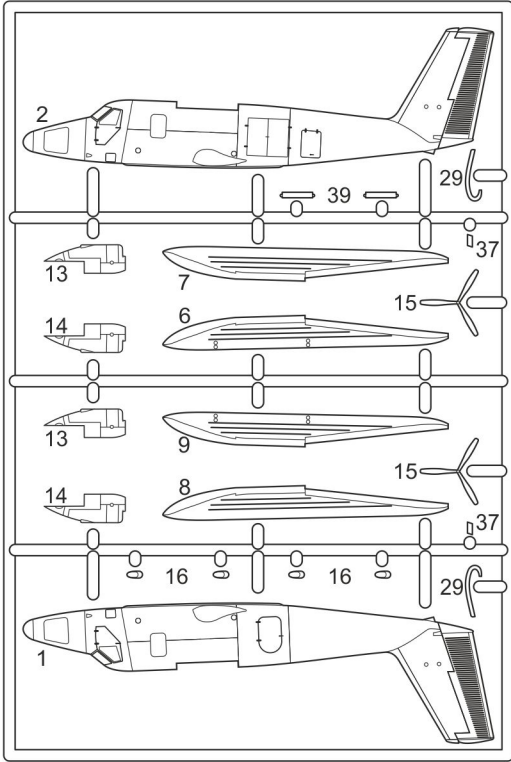
'TWO-TOTTER'



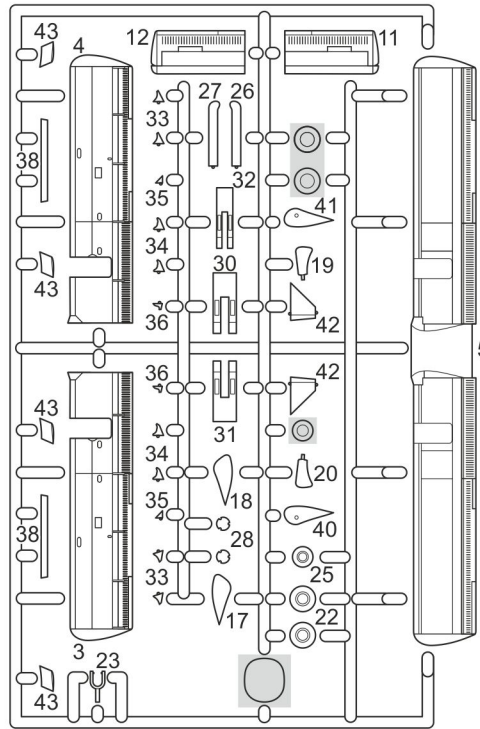
MKM144141  
1/144 scale

parts not  
to be used

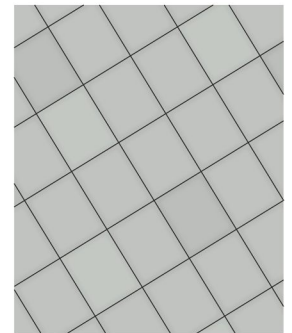
MARK I Ltd.  
PO Box 10  
Prague 10 - Strašnice  
CZ-100 31  
Czech Republic  
mark1@cmail.cz



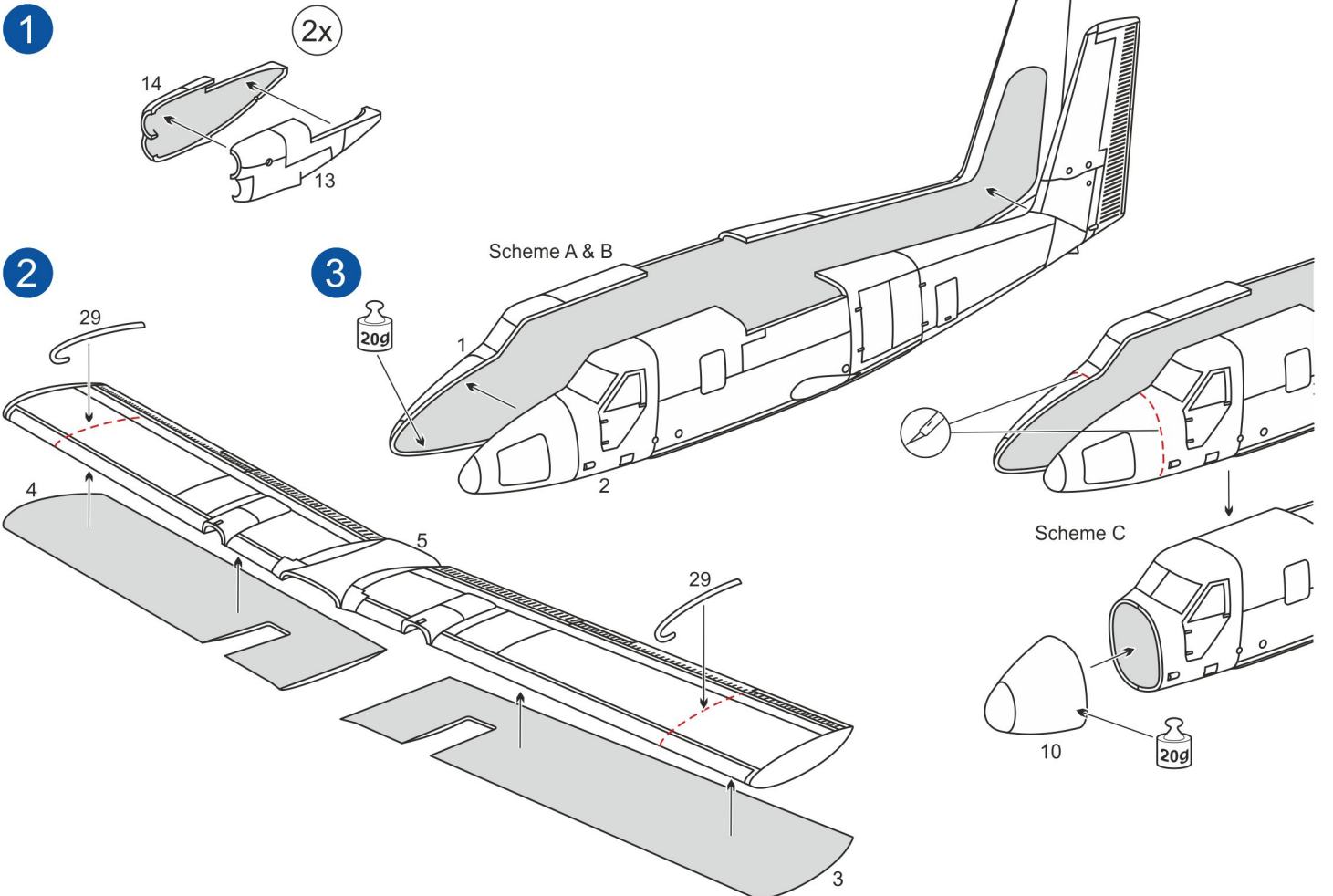
plastic parts

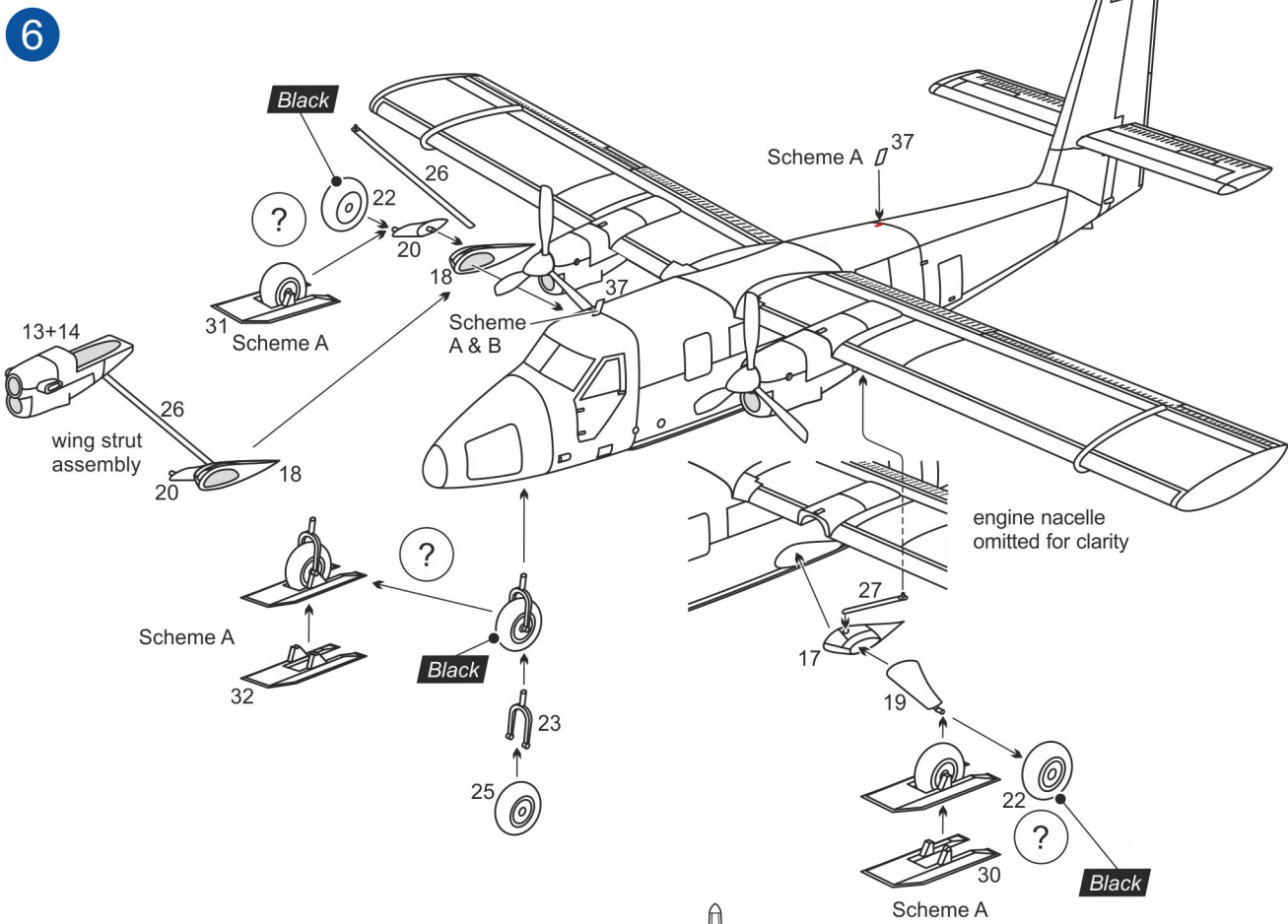
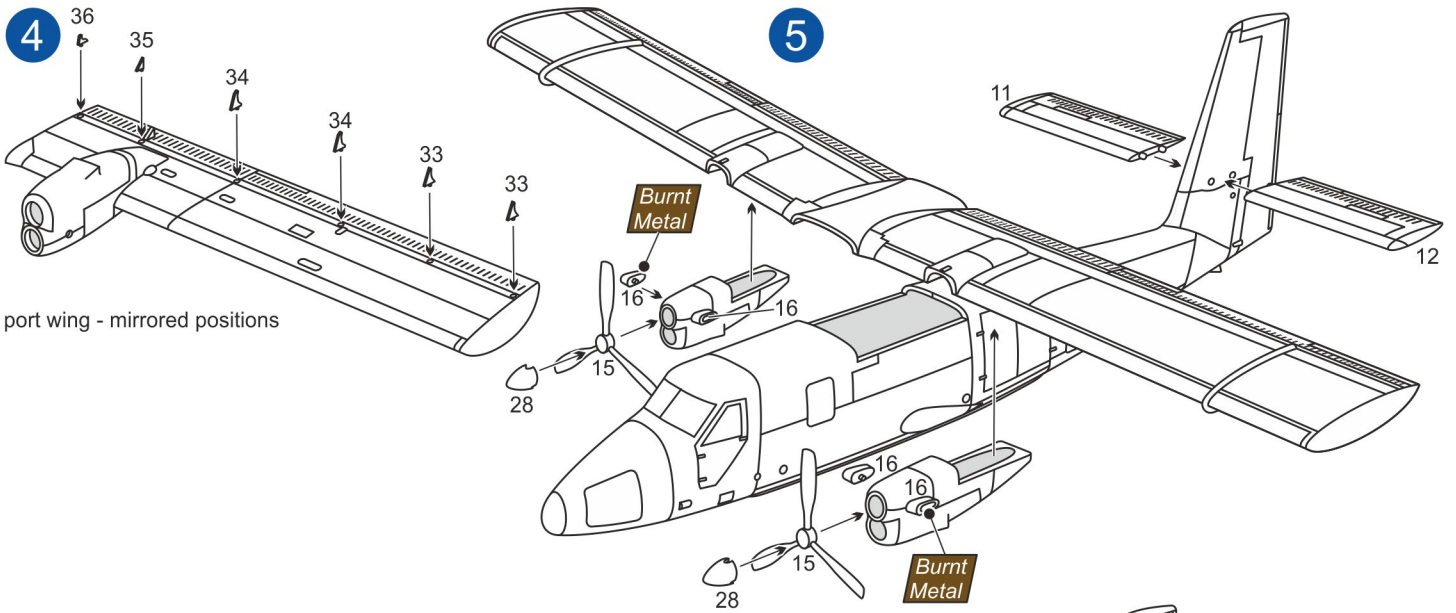


display base

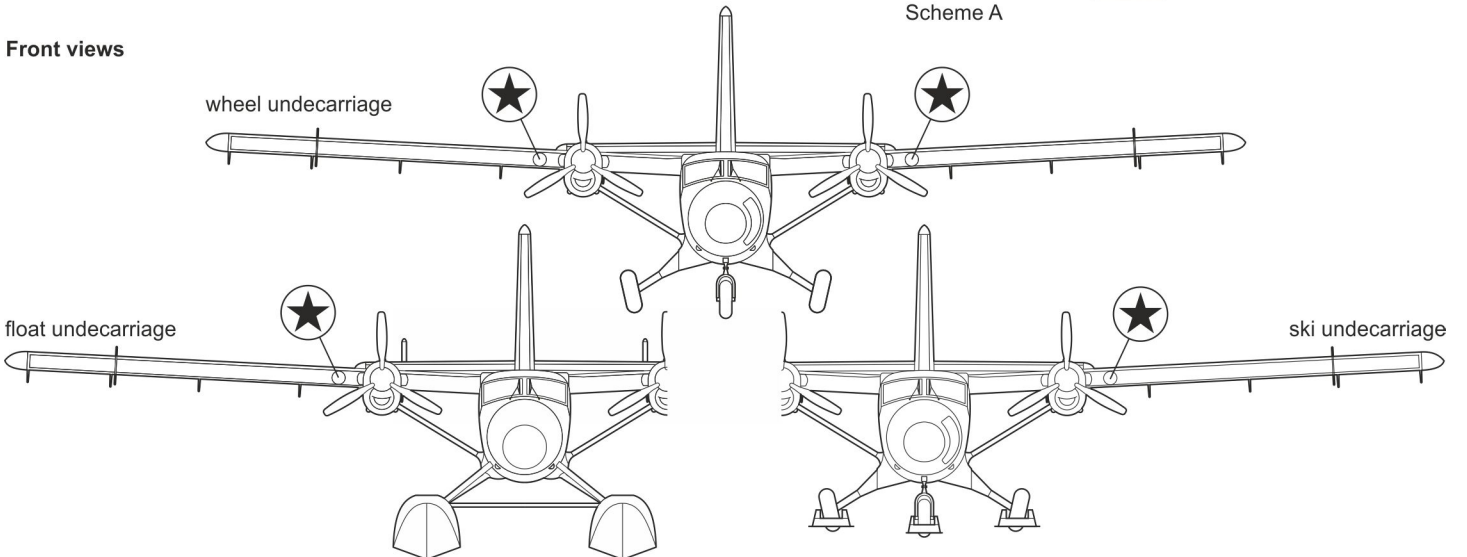


- Repeat this operation
- Glue
- Don't glue
- Decal
- Detach/cut
- Bend
- Drill
- Optional



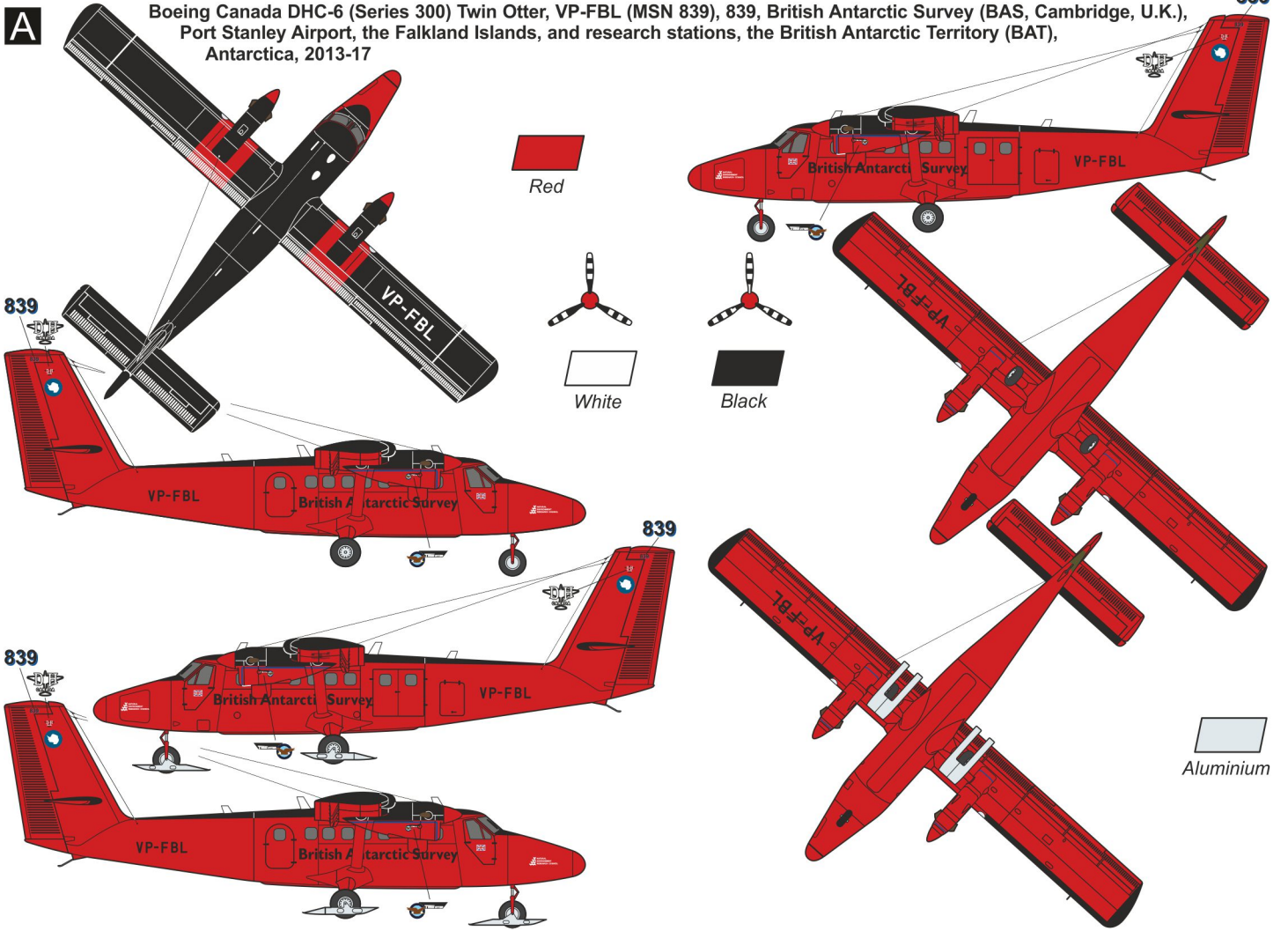
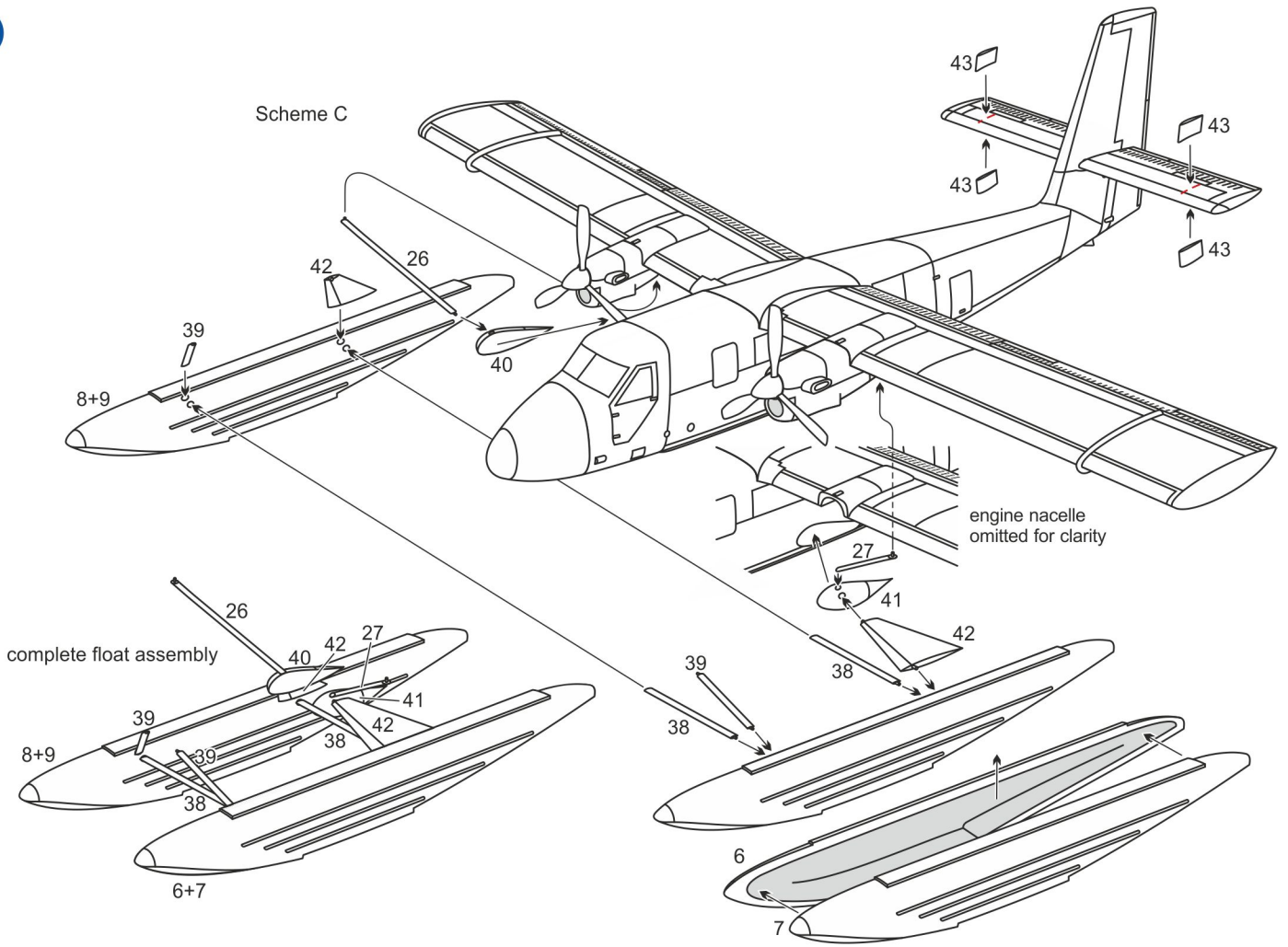


**Front views**

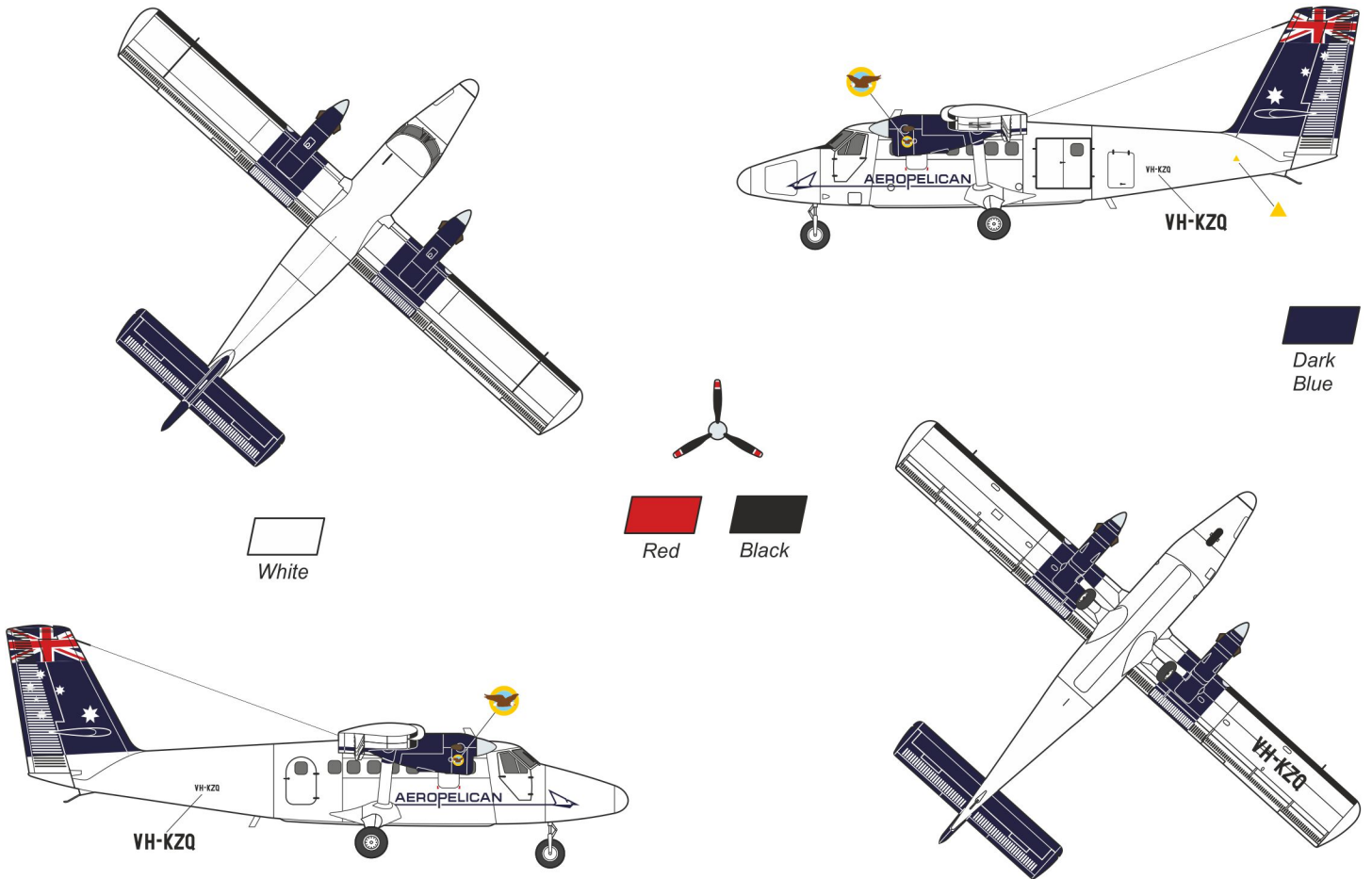




Scheme C



**B** de Havilland Canada DHC-6 (Series 300) Twin Otter, VH-KZQ (MSN 759), Aeropelican Air Services Pty., Ltd., Newcastle Airport, New South Wales, Australia, mid-1990s



**C** de Havilland Canada DHC-6 (Series 300) Twin Otter, CF-OPI (MSN 243), Government of Ontario, Department of Lands & Forests, Sault Ste. Marie Water Aerodrome, Ontario, Canada, 1969-71

