

UV-18B/CC-138/DHC-6-400 TWIN OTTER

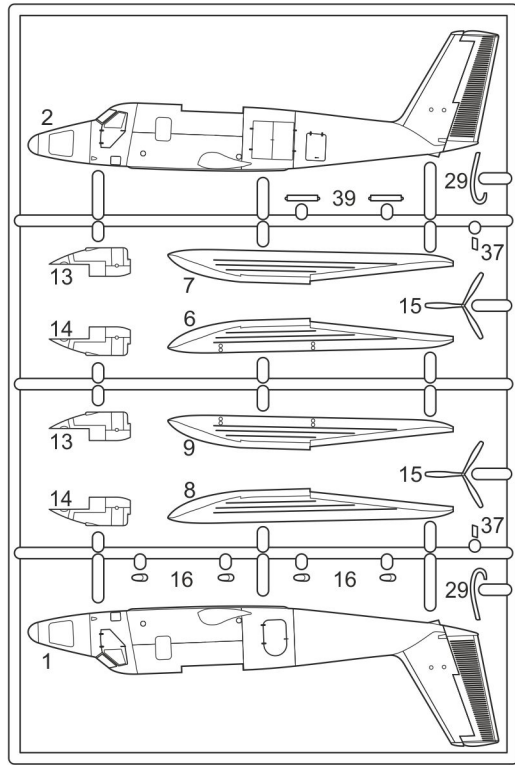
IN AMERICA



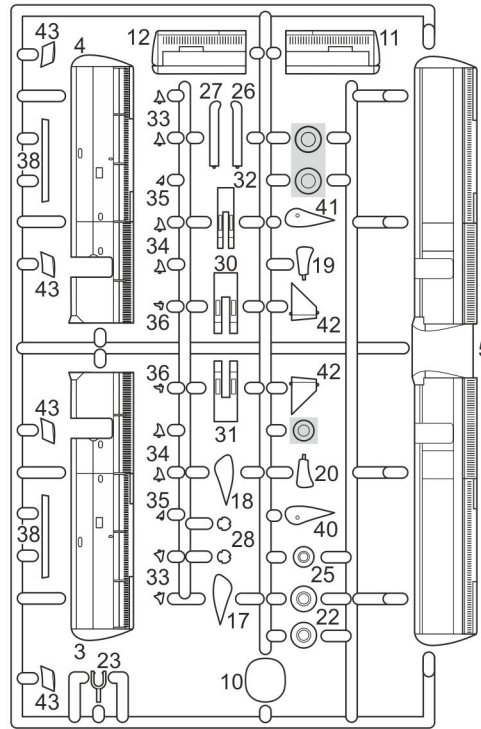
MKM144139
1/144 scale

parts not
to be used

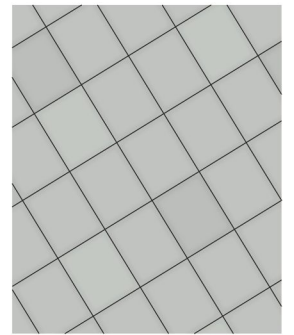
MARK I Ltd.
PO Box 10
Prague 10 - Strašnice
CZ-100 31
Czech Republic
mark1@gmail.cz
www.4pluspublications.com



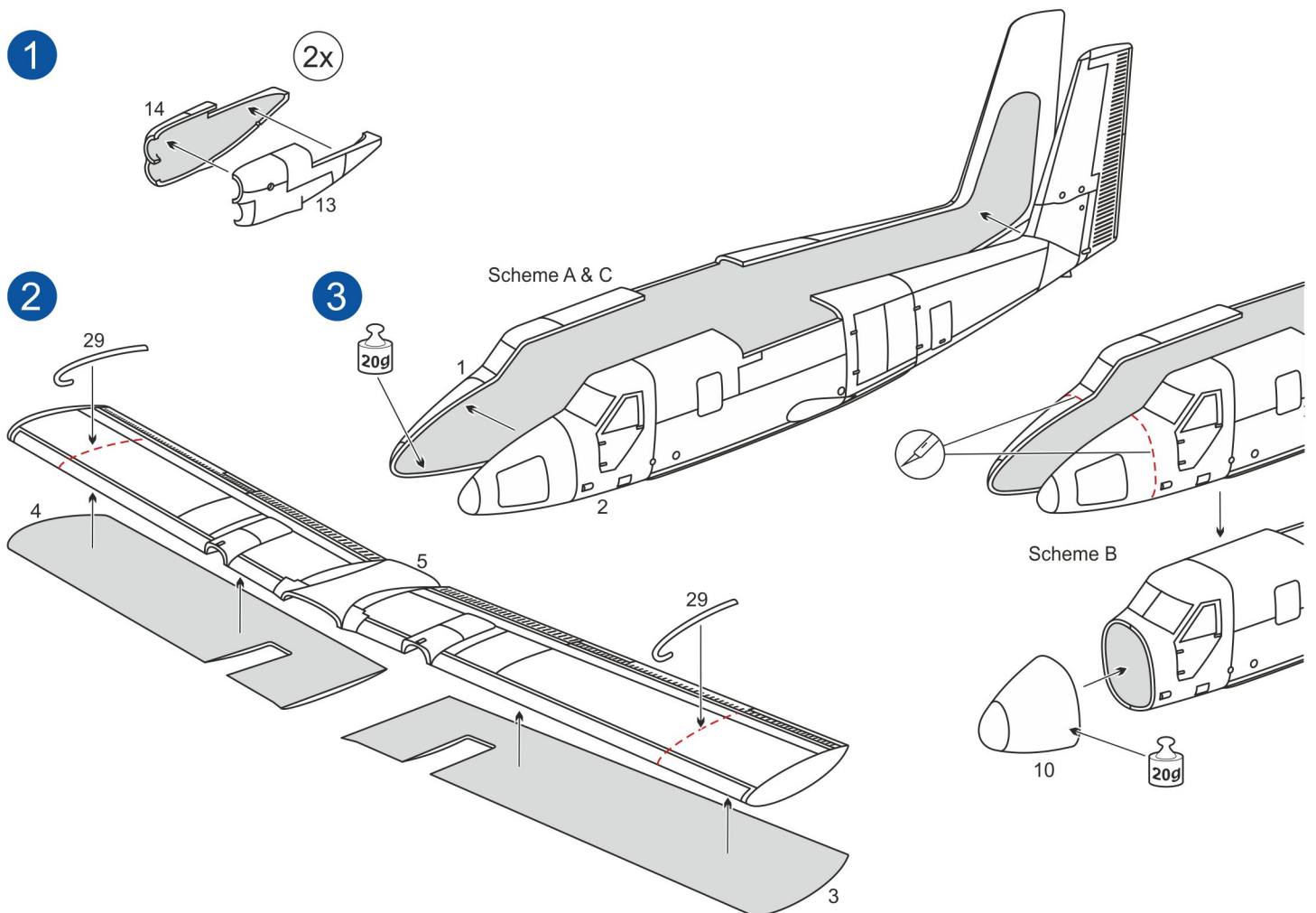
plastic parts

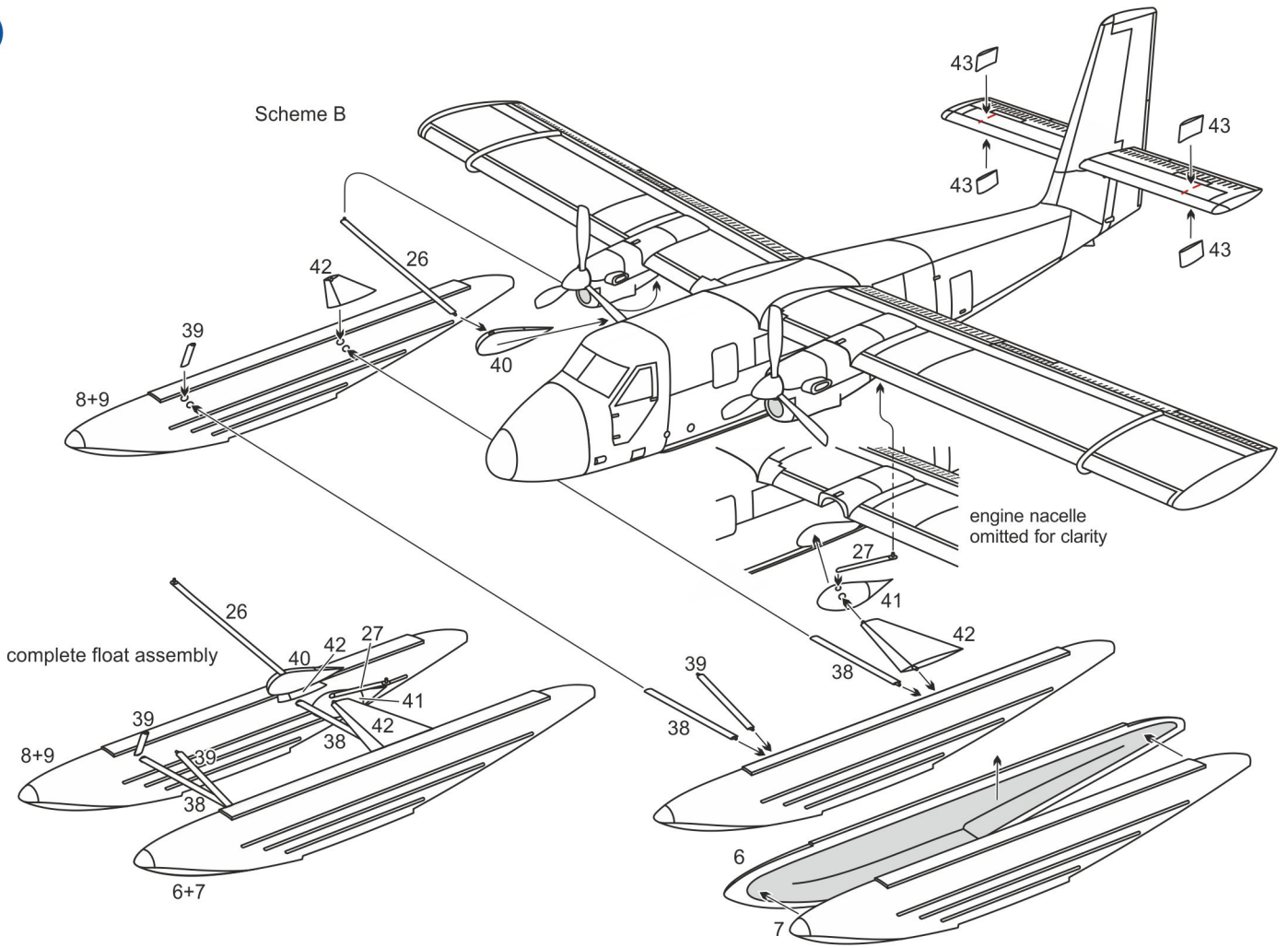


display base

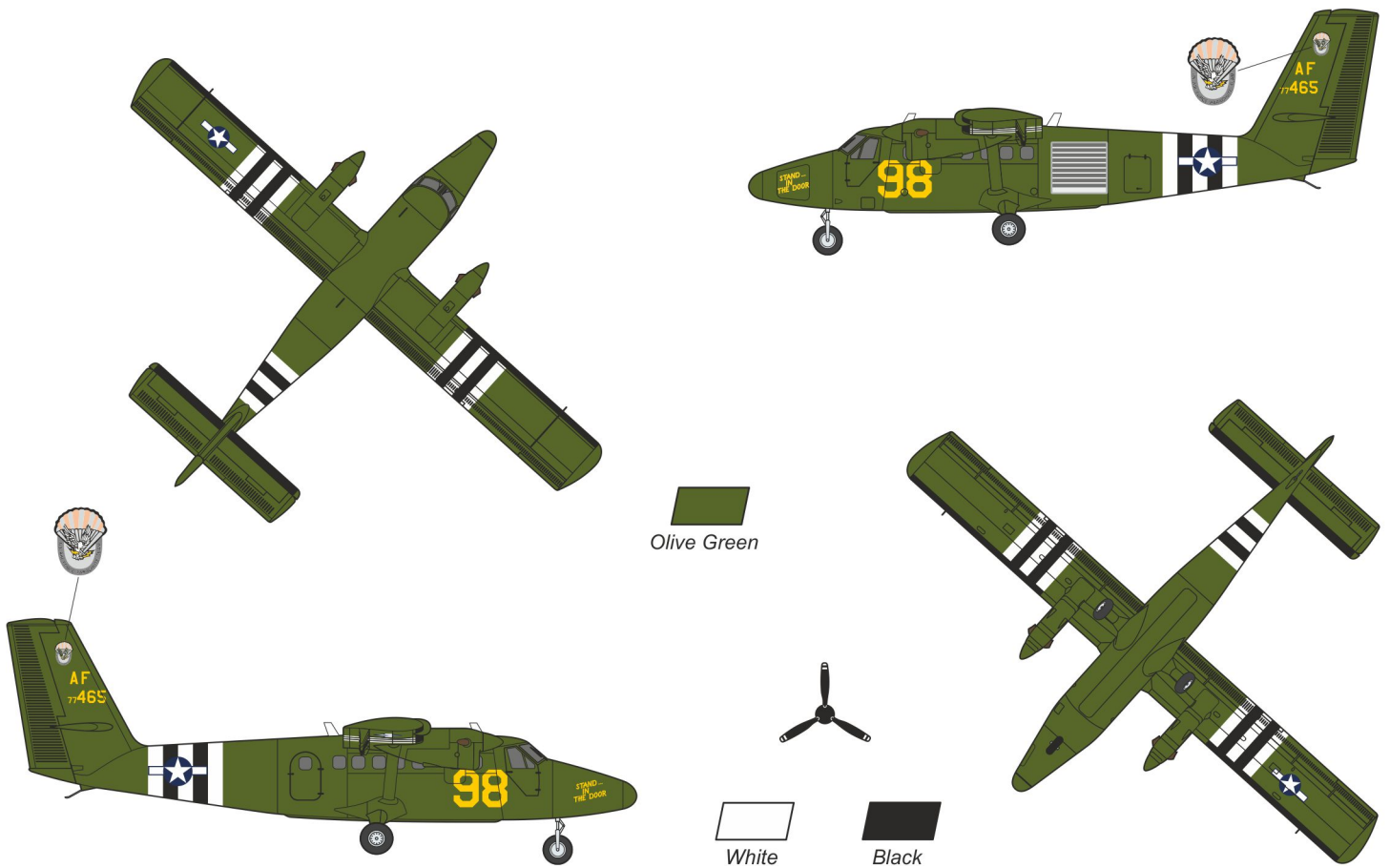


- Repeat this operation
- Glue
- Don't glue
- Decal
- Detach/cut
- Bend
- Drill
- Optional



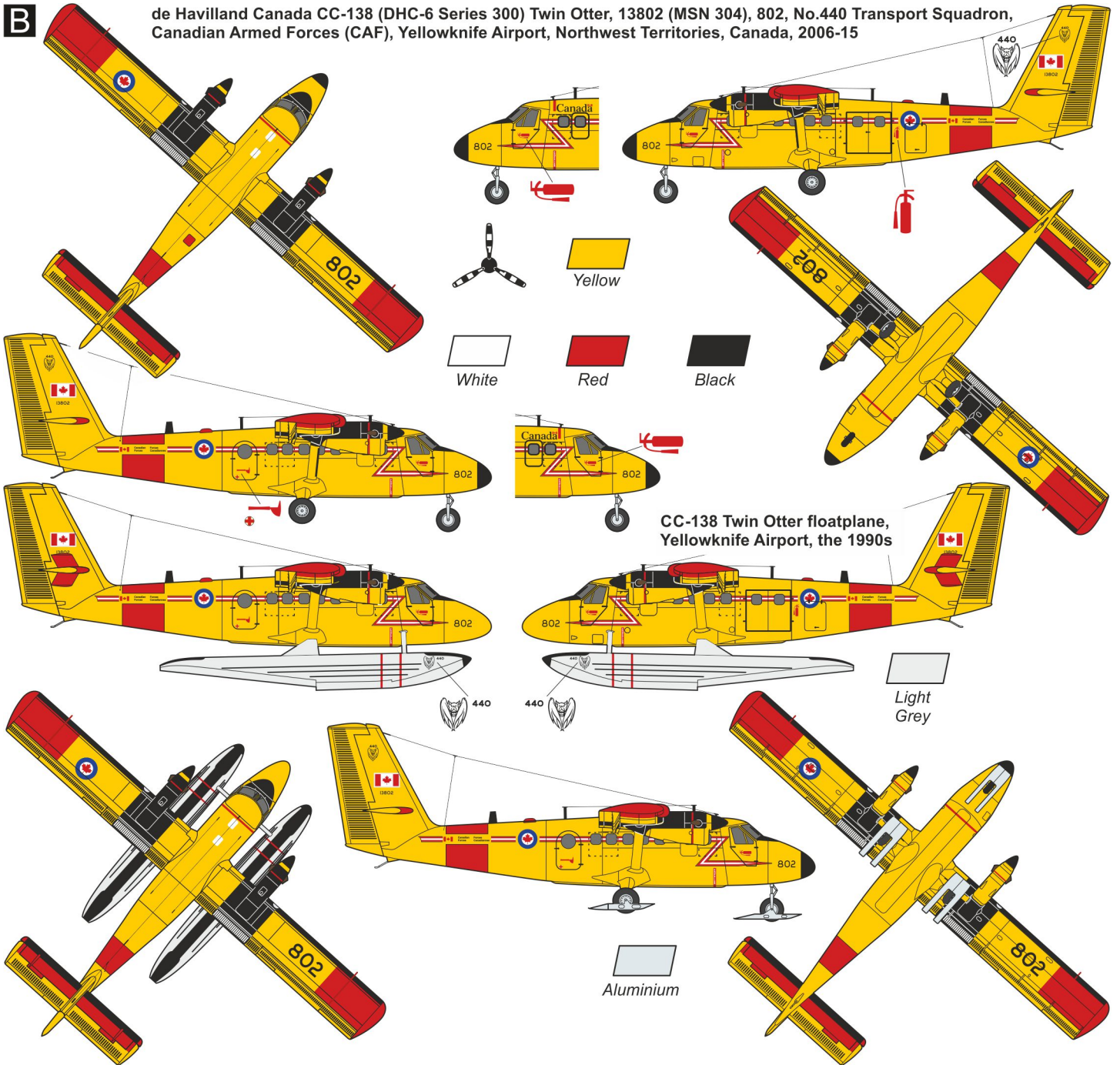


A de Havilland Canada UV-18B (Series 300) Twin Otter, 77-0465 (MSN 554), AF 77465/98 (wearing WWII heritage D-Day scheme), Wings of Blue Parachute Demonstration Team, 98th Flying Training Squadron (FTS), 306th Flying Training Group (FTG), USAF Academy (USAFA), U.S. Air Force, Peterson AFB, Colorado, U.S.A., 2020-22



B

de Havilland Canada CC-138 (DHC-6 Series 300) Twin Otter, 13802 (MSN 304), 802, No.440 Transport Squadron, Canadian Armed Forces (CAF), Yellowknife Airport, Northwest Territories, Canada, 2006-15

**C**

Viking DHC-6 (Series 400) Twin Otter, 1730 (MSN 972), STOL Medium Transport Squadron (Escuadrón de Transporte Medio), Guatemalan Air Force (Fuerza Aérea Guatemalteca, FAG), La Aurora Airport, Guatemala, 2019-23

