

# HAWKER SEA FURY

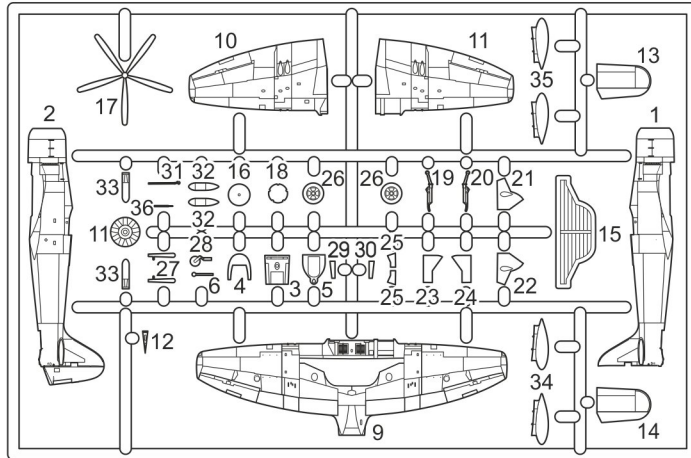
## SPECIAL SCHEMES



MKM144164  
1/144 scale

MARK I Ltd.  
PO Box 10  
Prague 10 - Strašnice  
CZ-100 31  
Czech Republic  
mark1@cmail.cz  
www.4pluspublications.com

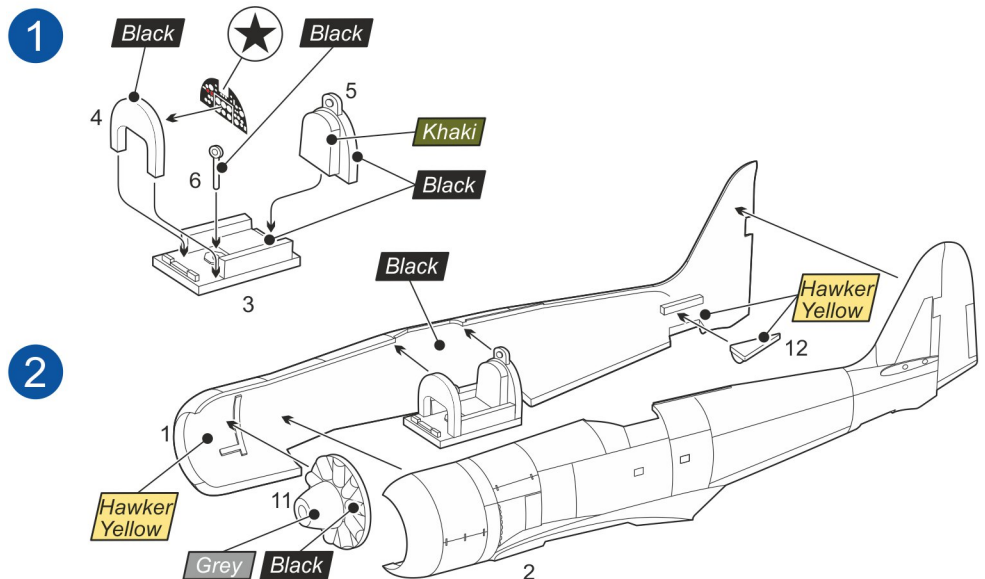
plastic parts



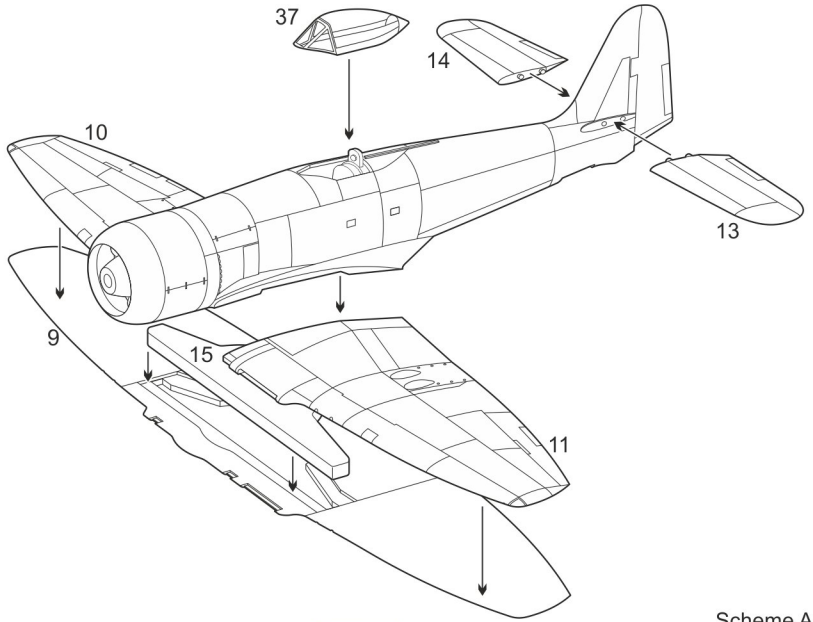
clear part



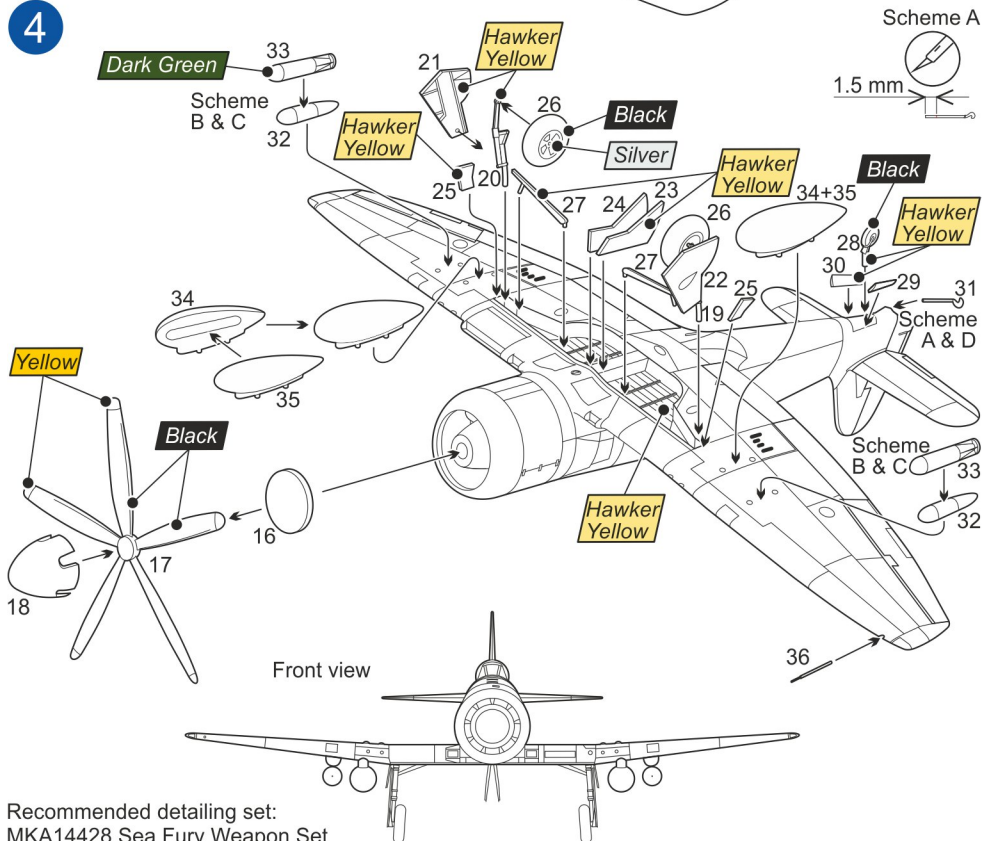
- 2x Repeat this operation
- Glue
- Don't glue
- Decal
- Detach/cut
- Optional



3

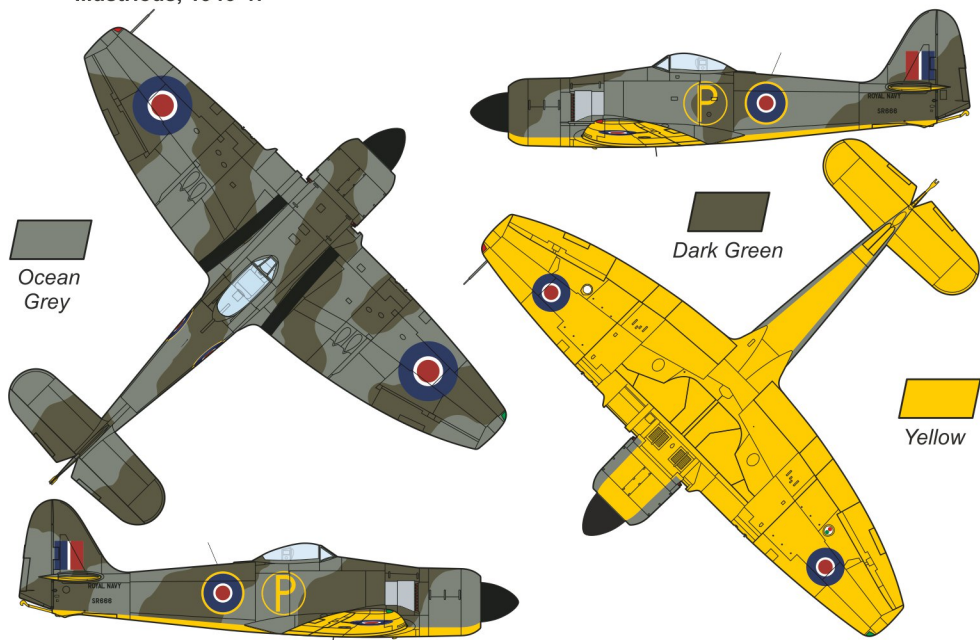


4

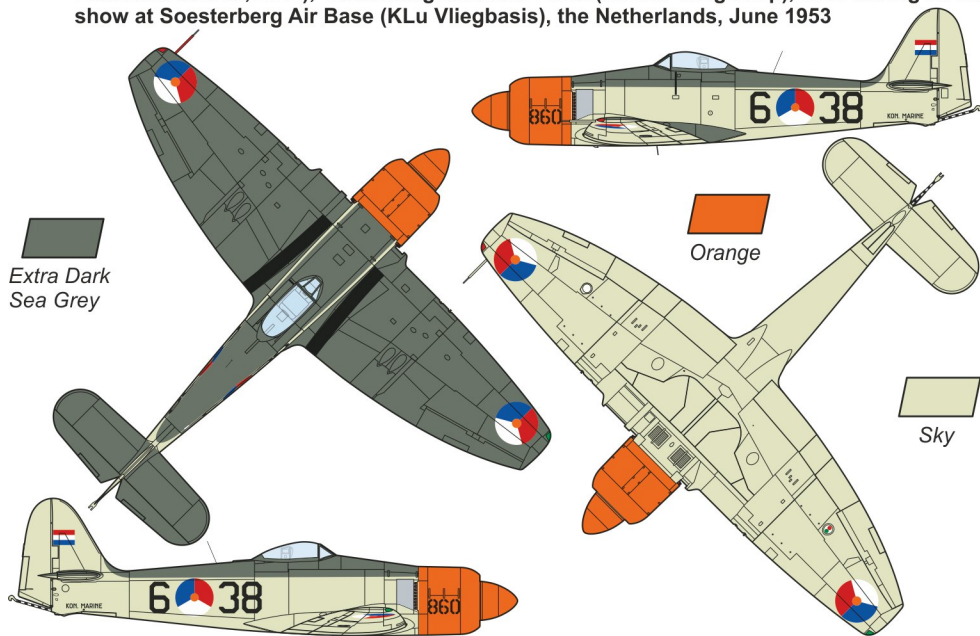


Recommended detailing set:  
 MKA14428 Sea Fury Weapon Set

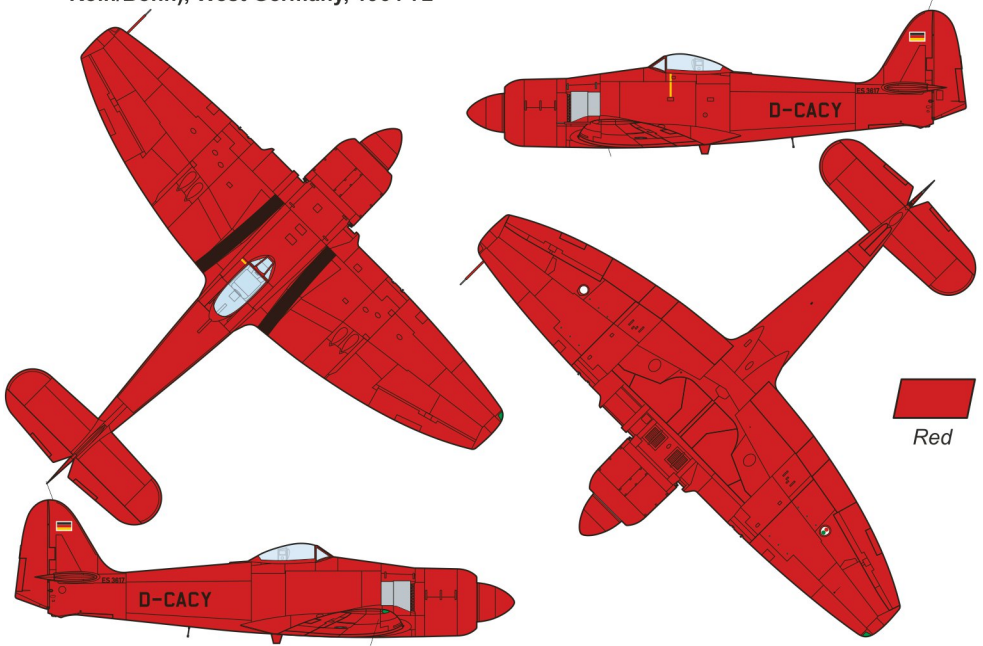
**A** Hawker Sea Fury 2nd prototype, SR666, pre-production tests at Hawker Aircraft Ltd. Langley, A&EE Boscombe Down, RAE Farnborough, U.K., and deck-trials in HMS Illustrious, 1946-47



**B** Hawker Sea Fury FB Mk.51, F-38/6-38, 'The Aerobats' Display Team, No.860 Naval Air Squadron (Vliegtuigsquadron, VSQ), Netherlands Naval Aviation Service (Marine Luchtvaartdienst, MLD), Valkenburg Naval Air Base (Marine Vliegkamp), seen during an air show at Soesterberg Air Base (KLu Vliegbasis), the Netherlands, June 1953



**C** Hawker Sea Fury FB Mk.11, ES.3617 (ex-WG599), D-CACY, German Aviation Advisory Service (Deutscher Luftfahrt-Beratungsdienst, DLB), Cologne/Bonn Airport (Flughafen Köln/Bonn), West Germany, 1964-72



**D** Hawker Sea Fury FB Mk.11, TG117/ZZ-AVG-ZZA, Winter Experimental Establishment (WEE), Royal Canadian Navy, RCAF Station Edmonton, Alberta, Canada, 1948-49

