

DH VAMPIRE FB.5/FB.52/J 28B

IN THE NORTH



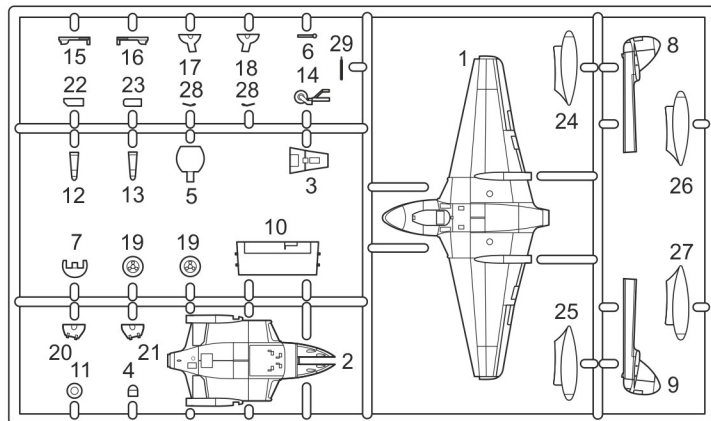
MKM14470
1/144 scale

MARK I Ltd.
PO Box 10
Prague 10 - Strašnice
CZ-100 31
Czech Republic
mark1@gmail.cz
www.4pluspublications.com

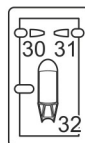
parts not
to be used

plastic parts

2x

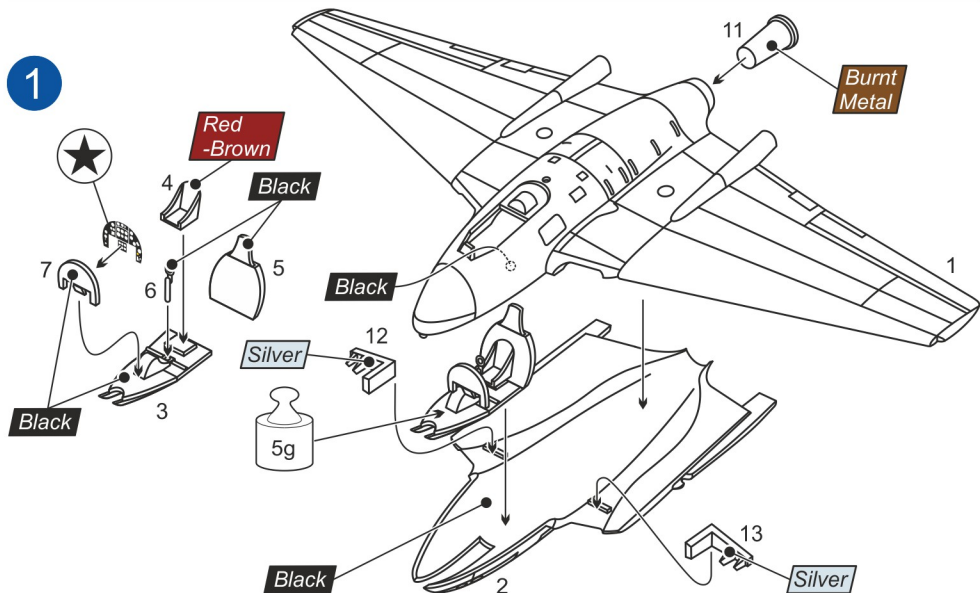


clear parts

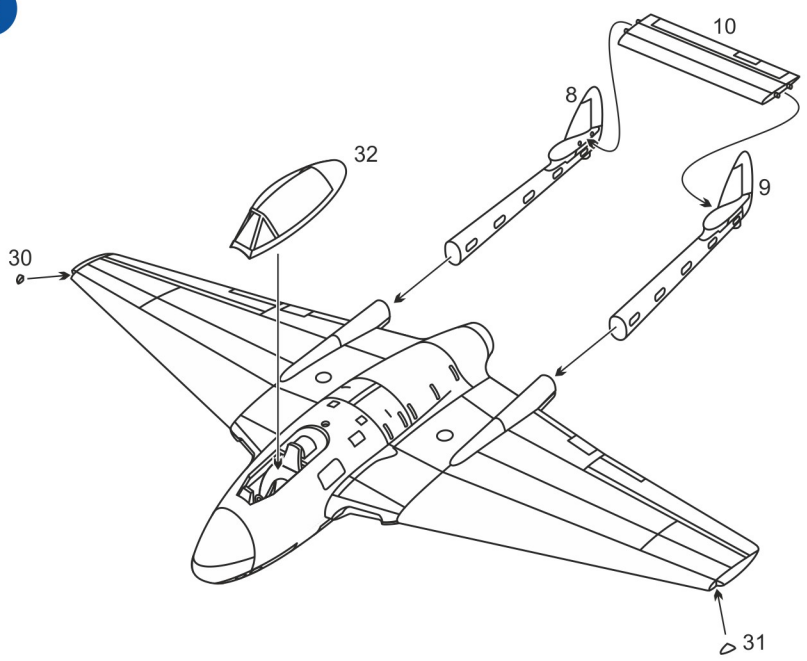


2x

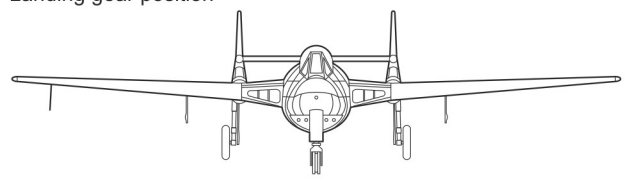
- 2x Repeat this operation
- Glue
- Don't glue
- Decal
- Detach/cut
- ? Optional



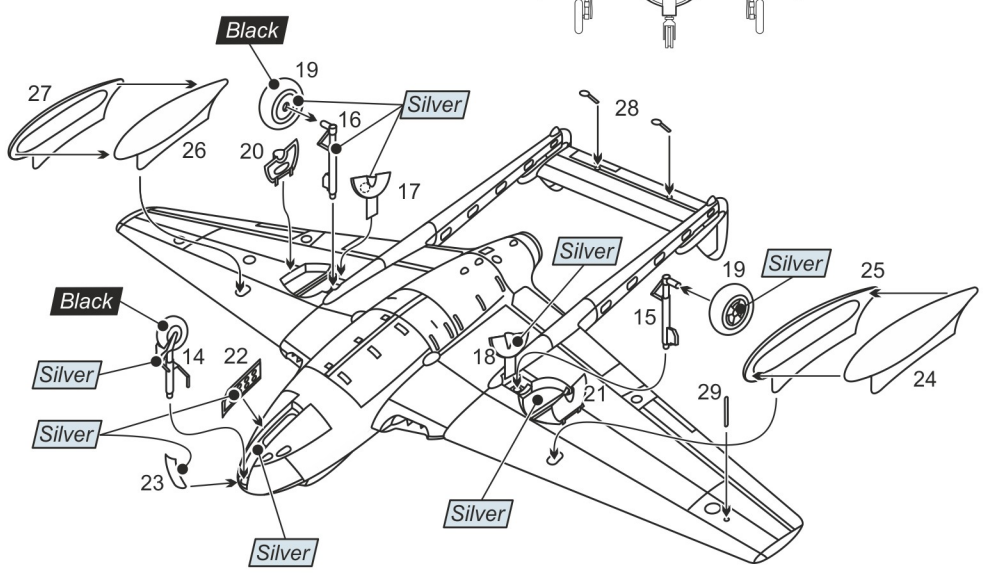
2



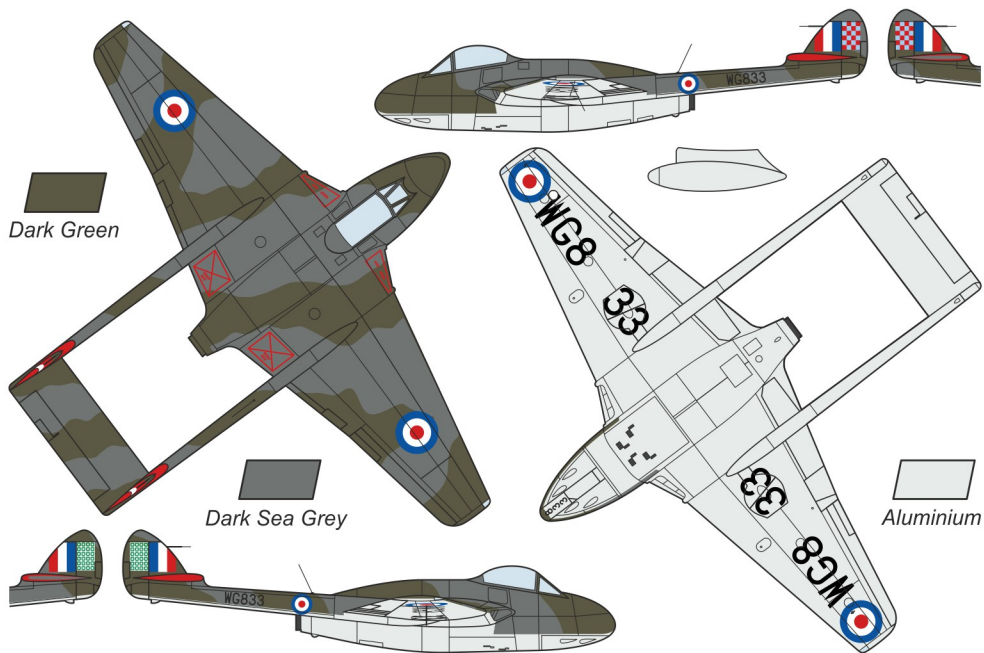
Landing gear position



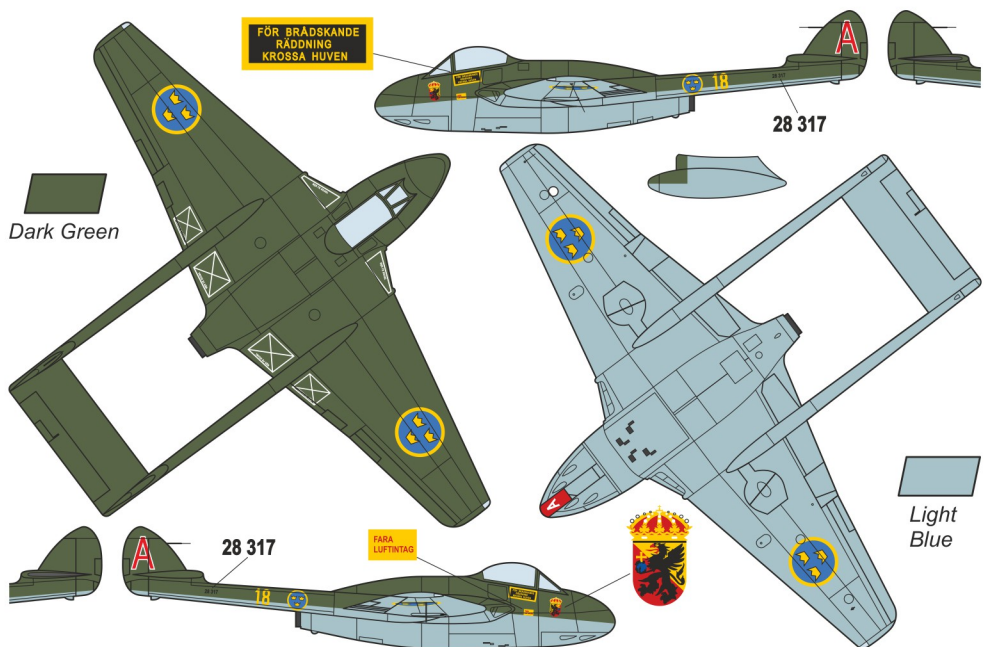
3



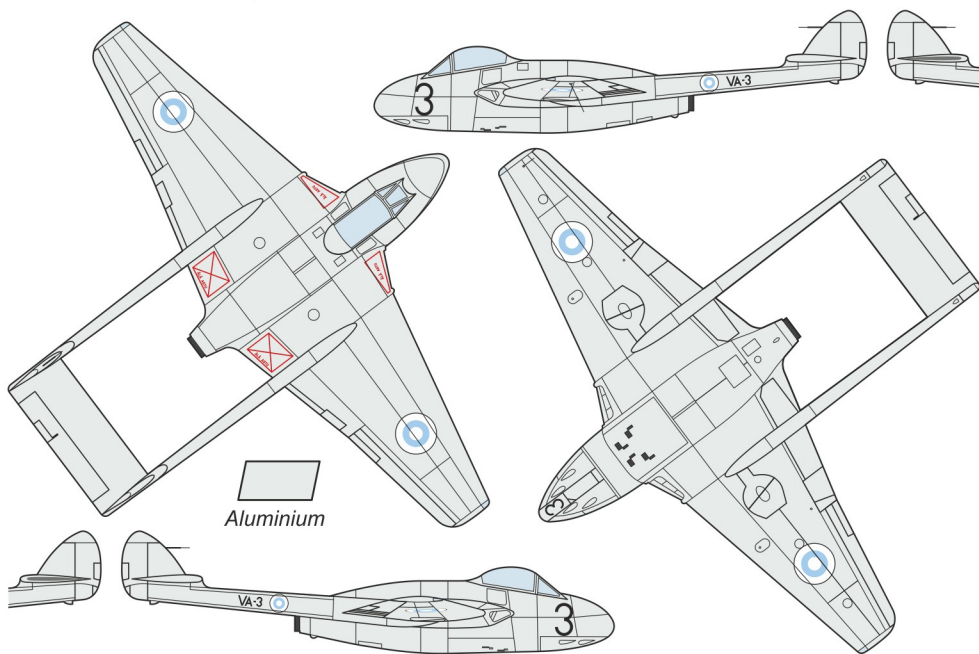
A de Havilland DH.100 Vampire FB Mk.5, WG833, No.603 (City of Edinburgh) Sq., Royal Auxiliary Air Force, Turnhouse airfield, 1954-57



B DH 100 Vampire J 28B (FB Mk.50), 28317, 18-Red A, Flygflottilj 18 (Wing F 18), Royal Swedish Air Force (Flygvapnet), Tullinge Air Base, spring 1953



C de Havilland DH.100 Vampire FB Mk.52, VA-3, Black 3, HavLv 11 (Fighter Sq.), Finnish Air Force (Ilmavoimat), Pori airfield, 1953



D de Havilland DH.100 Vampire FB Mk.52, V0126, Black ZK-X, 337 skvadron (Sq.), Royal Norwegian Air Force (Luftforsvaret), Værnes Air Station, 1953

