

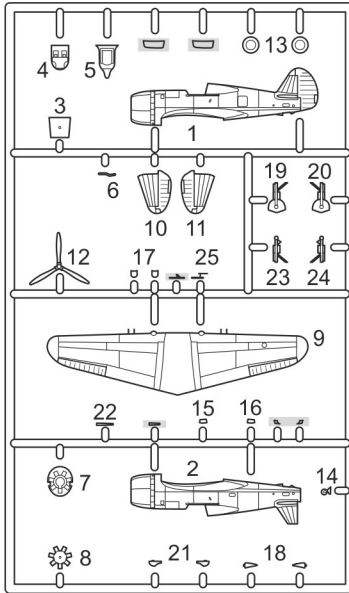
CURTISS H-75/MOHAWK MK.III

FRENCH & BRITISH FIGHTER



MKM14466
1/144 scale

parts not
to be used

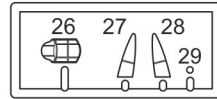


plastic parts

2x

MARK I Ltd.
PO Box 10
Prague 10 - Strašnice
CZ-100 31
Czech Republic
mark1@gmail.cz
www.4pluspublications.com

clear parts



2x

2x Repeat this operation

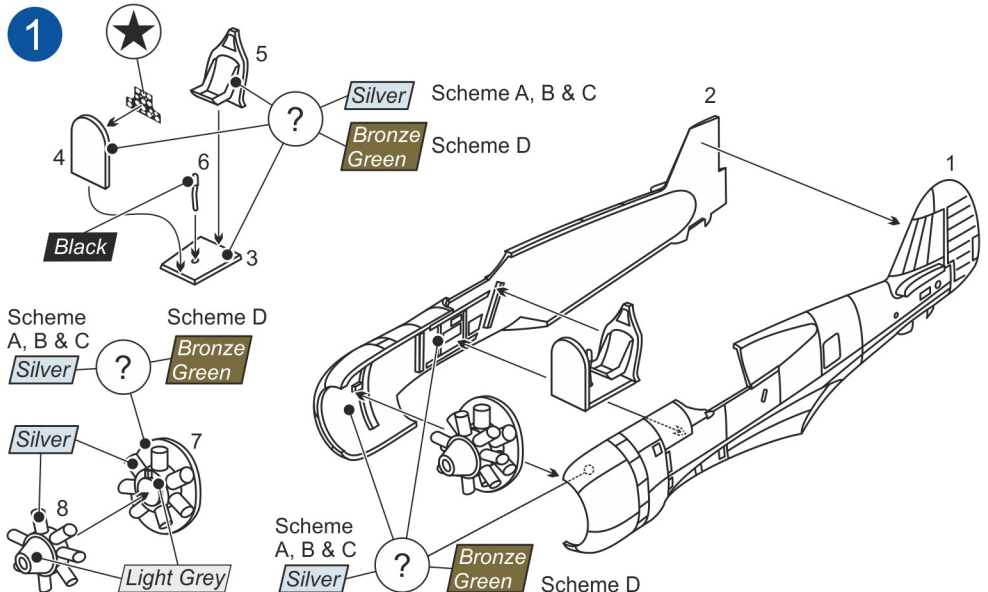
Glue

Don't glue

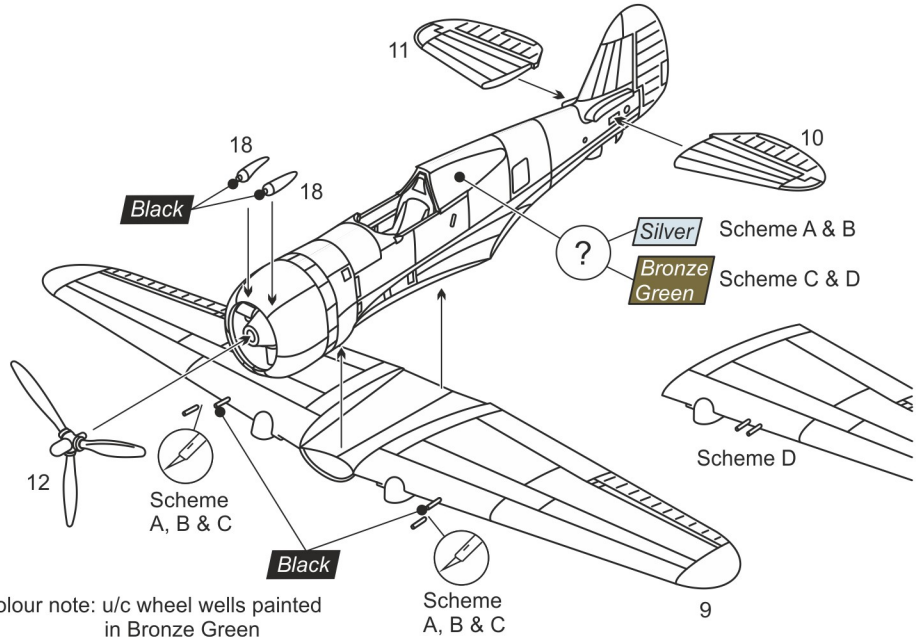
Decal

Detach/cut

? Optional

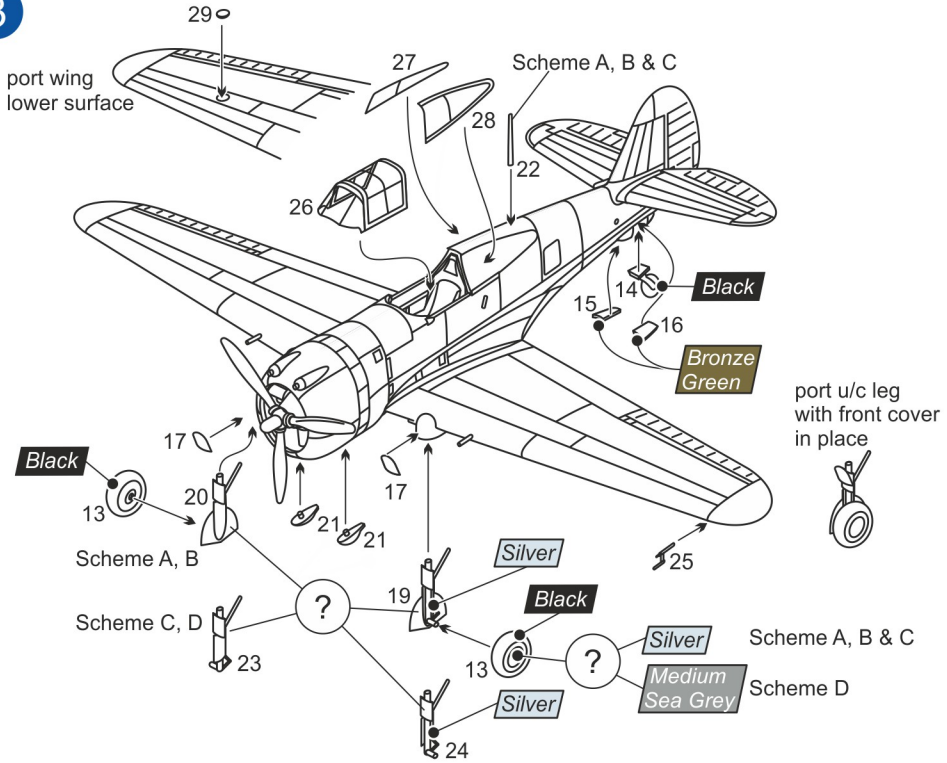


2

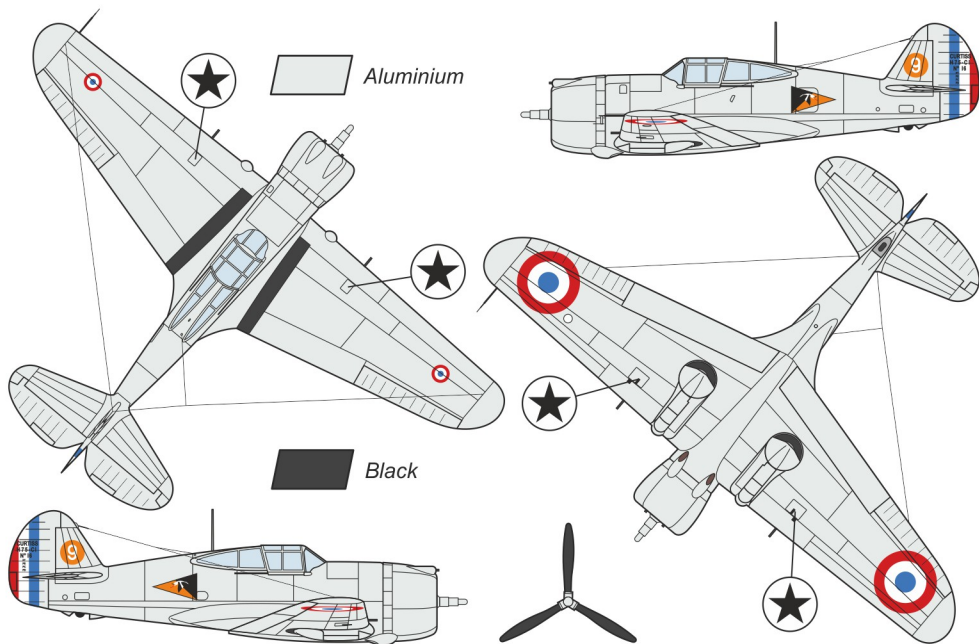


Colour note: u/c wheel wells painted in Bronze Green

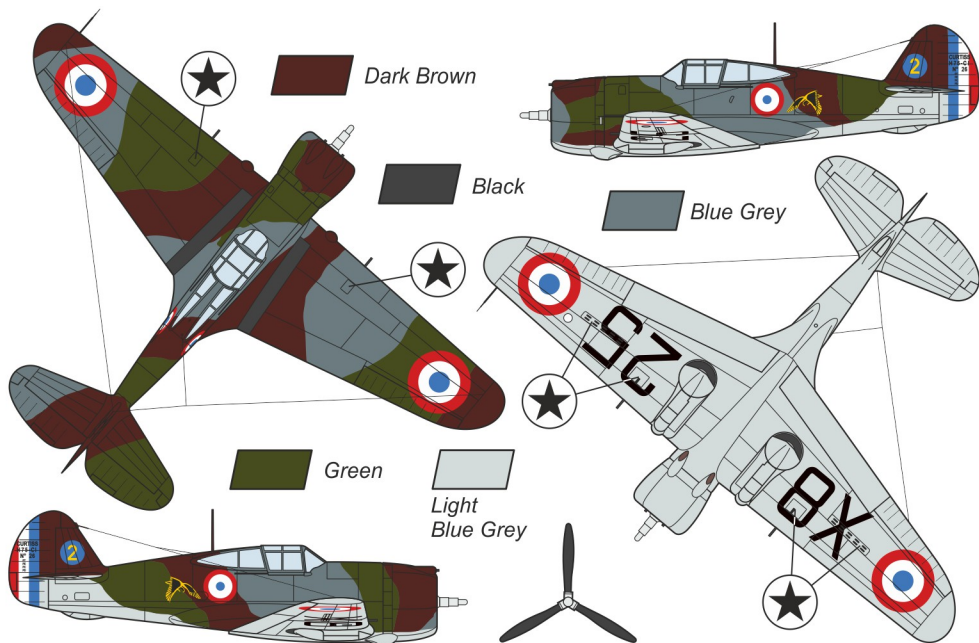
3



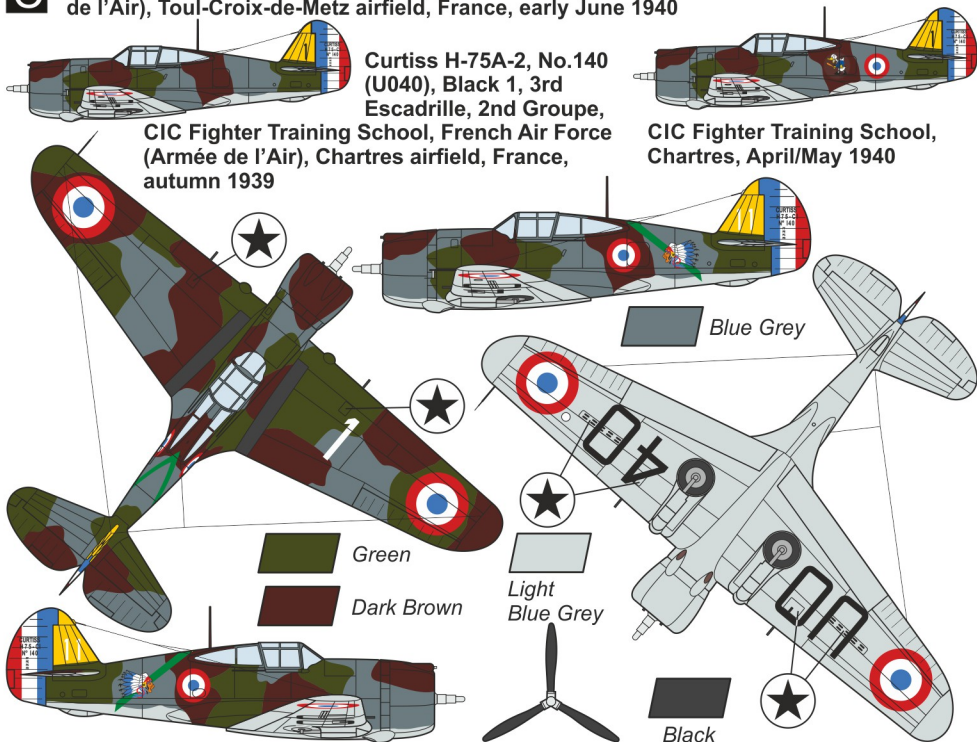
A Curtiss H-75A-1, No.16, White 9, 1st Escadrille, GC I/5, French Air Force (Armée de l'Air), Reims airfield, France, summer 1939



B Curtiss H-75A-1, No.26 (X825), Yellow 2, 2nd Escadrille, GC I/5, French Air Force (Armée de l'Air), Reims airfield, France, autumn 1939



C Curtiss H-75A-2, No.140 (U040), White 11, 3rd Escadrille, GC II/5, French Air Force (Armée de l'Air), Toul-Croix-de-Metz airfield, France, early June 1940



D Curtiss Mohawk Mk.III, AR633 (ex-Norwegian H-75A-6 No.481), Grey RG-E, No.510 Sq., RAF, Hendon airfield, U.K., late 1943

