

GLADIATOR MK.II & BEAUFIGHTER MK.IV

AFRICAN CAMPAIGN

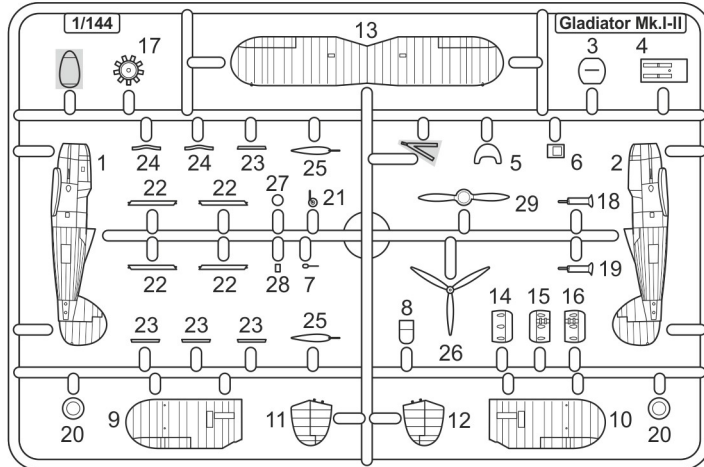


MKM14457
1/144 scale

MARK I Ltd.
PO Box 10
Prague 10 - Strašnice
CZ-100 31
Czech Republic
mark1@gmail.cz
www.4pluspublications.com

GLOSTER GLADIATOR MK.II

plastic parts

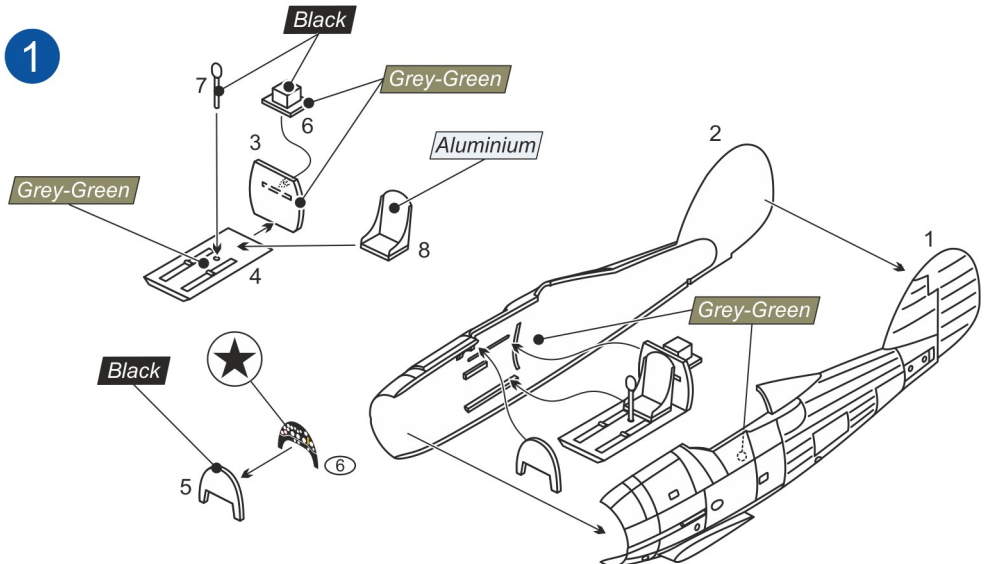


clear part

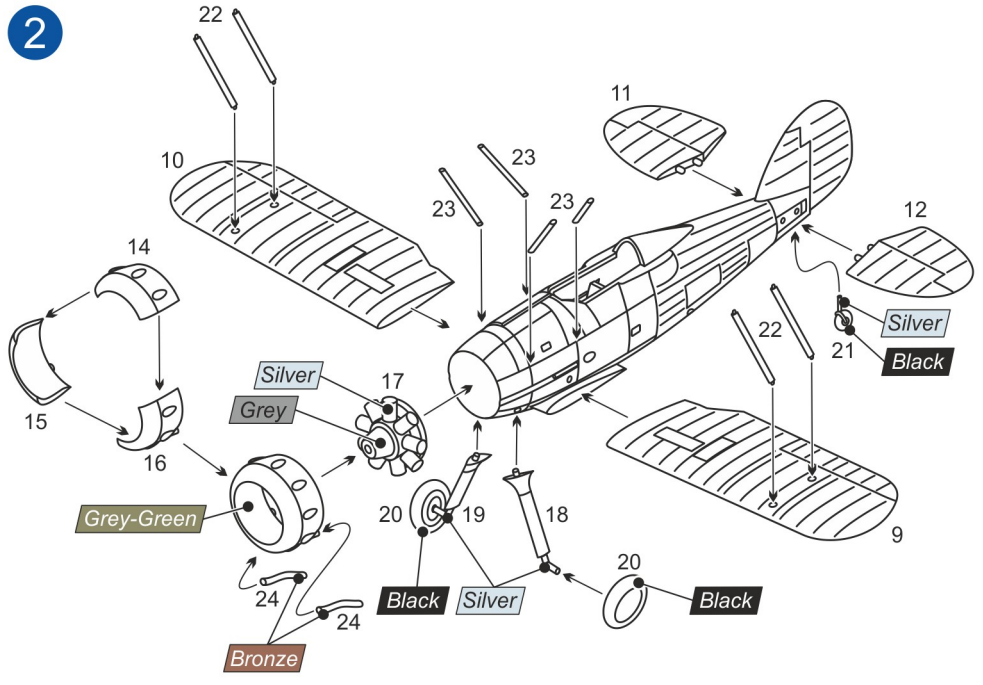


parts not to be used

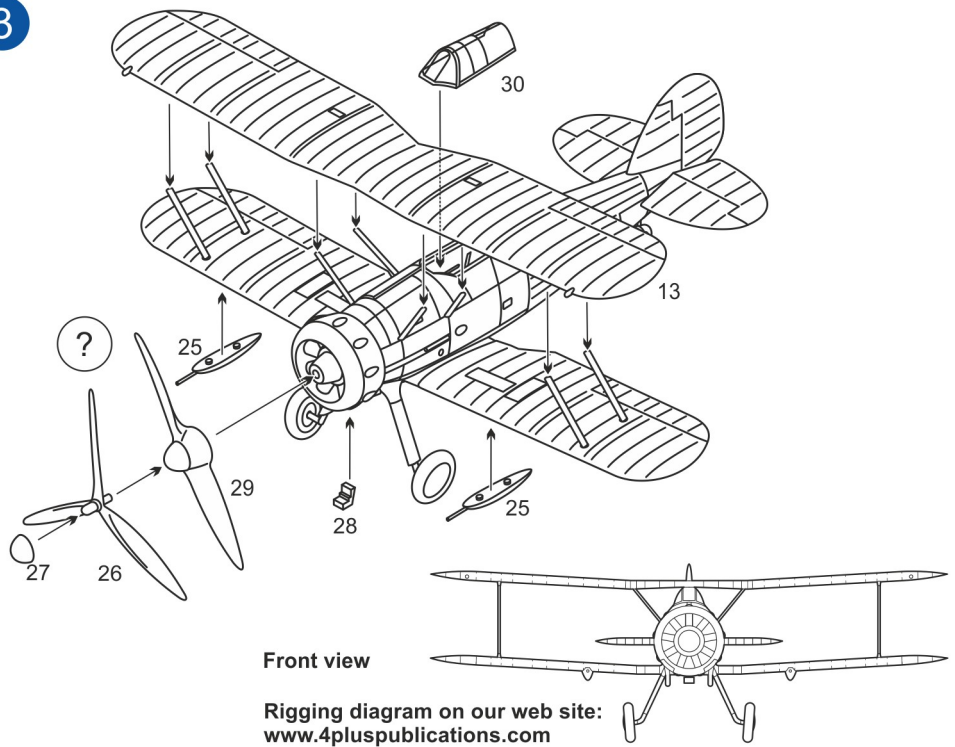
- 2x** Repeat this operation
- Glue
- Don't glue
- Decal
- Detach/cut
- Optional



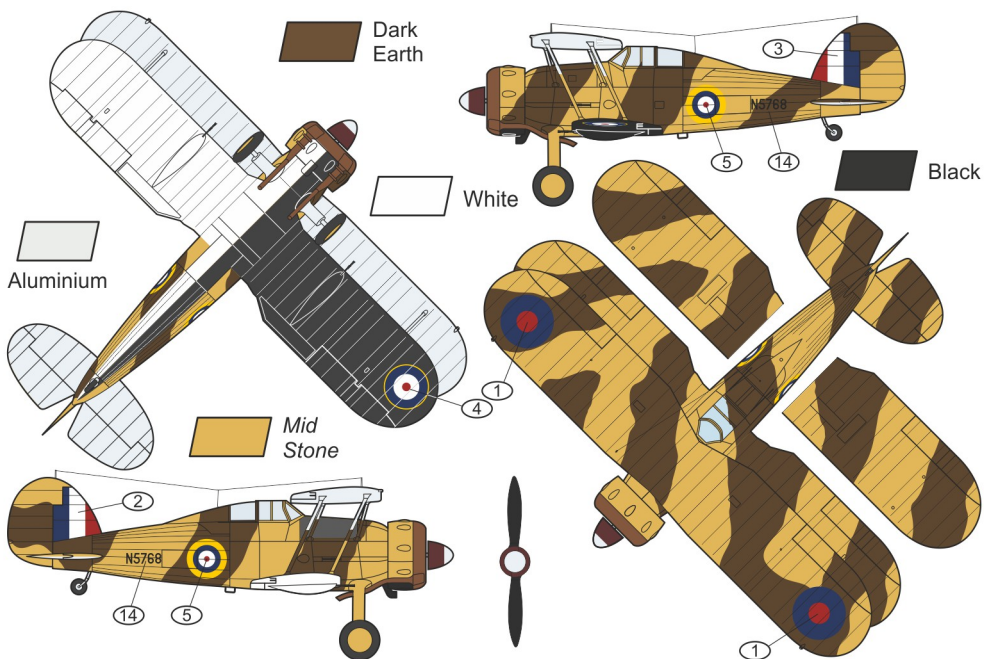
2



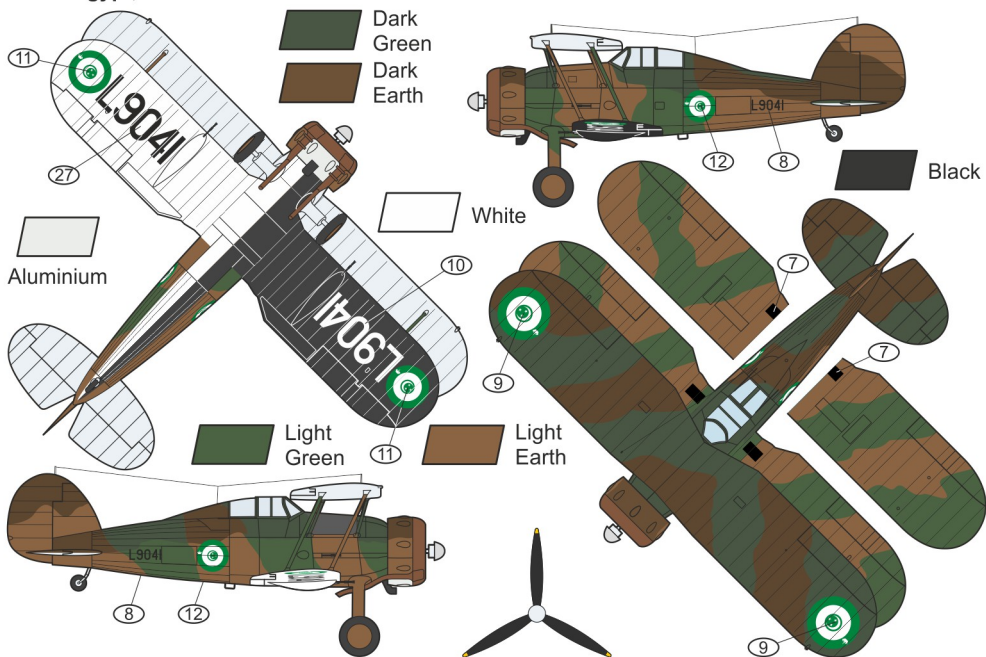
3



A Gloster Gladiator Mk.II, N5768, No.3 Sq., RAAF, Helwan airfield (LG-221), Egypt, autumn 1940

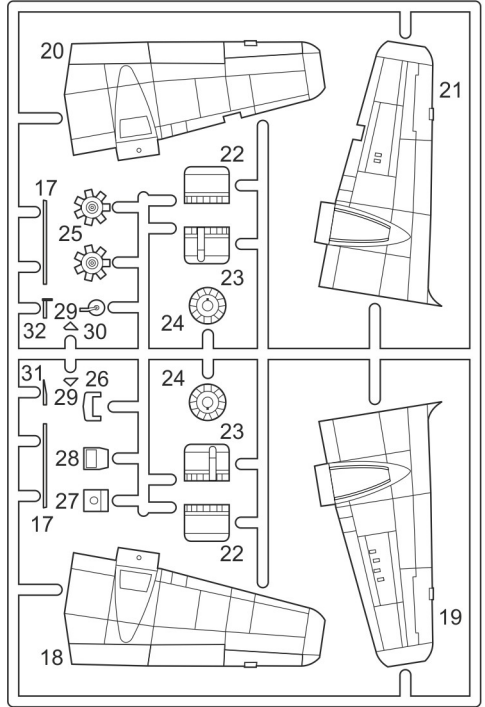
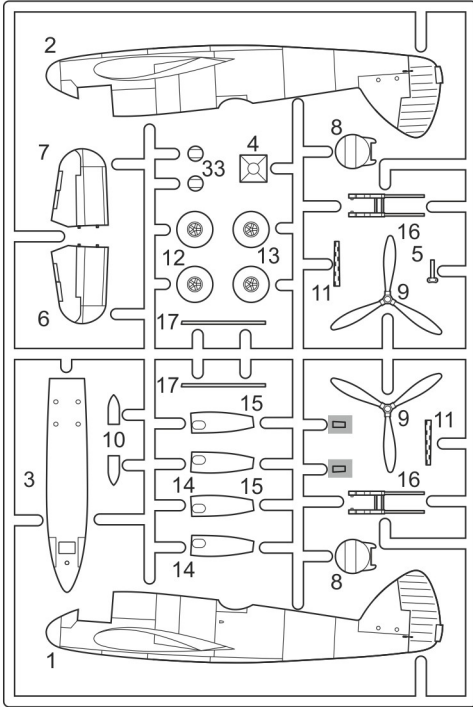


B Gloster Gladiator Mk.II, L9041 (ex-N5886), No.5 (Fighter) Sq., Royal Egyptian Air Force, Egypt, summer 1940



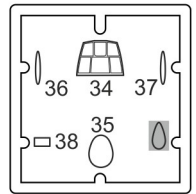
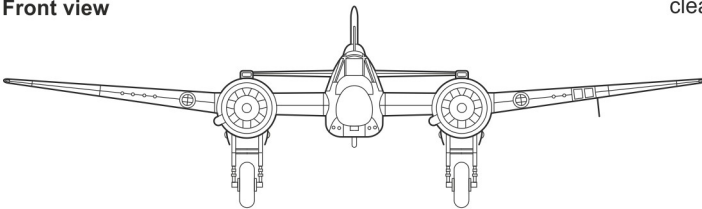
BRISTOL BEAUFIGHTER MK.IVI

plastic parts

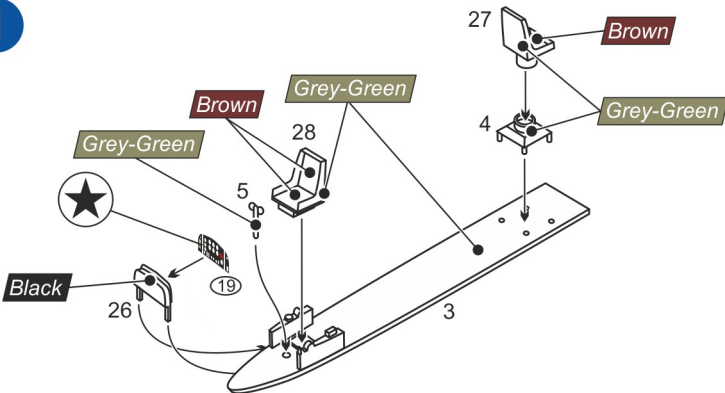


Front view

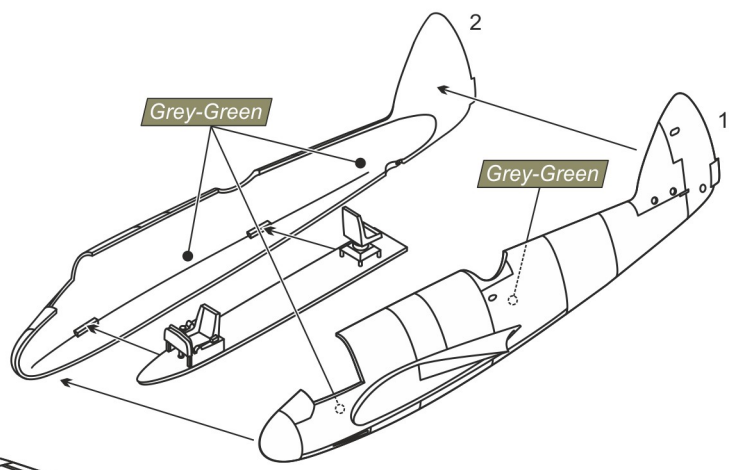
clear parts



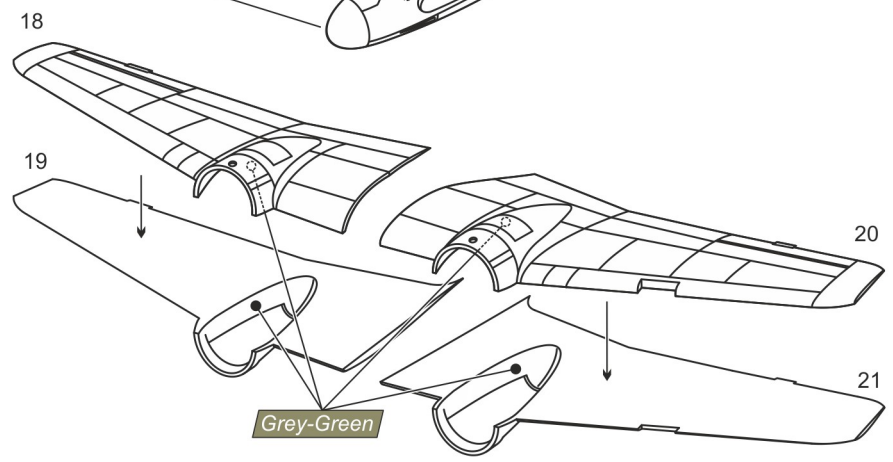
1



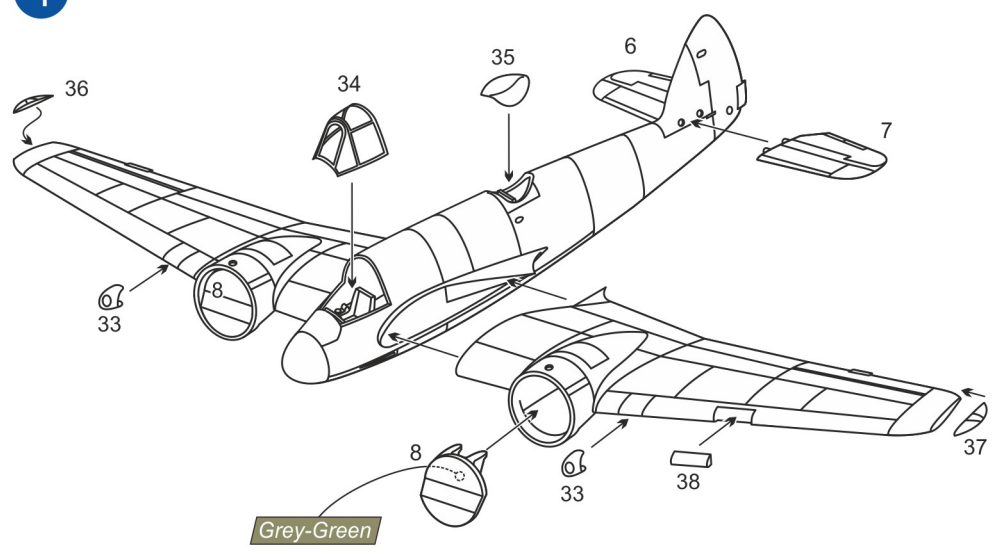
2



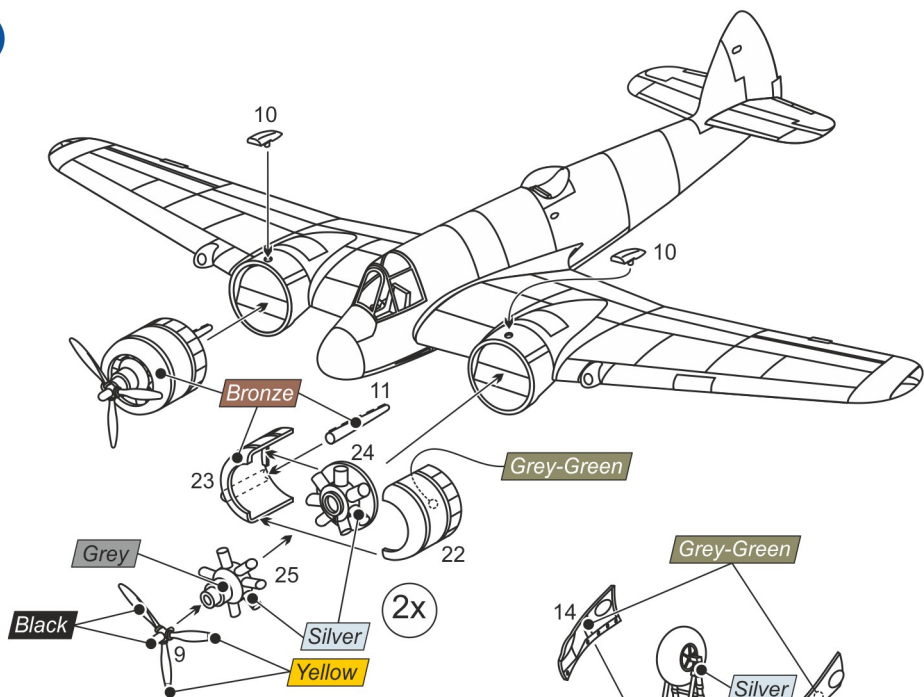
3



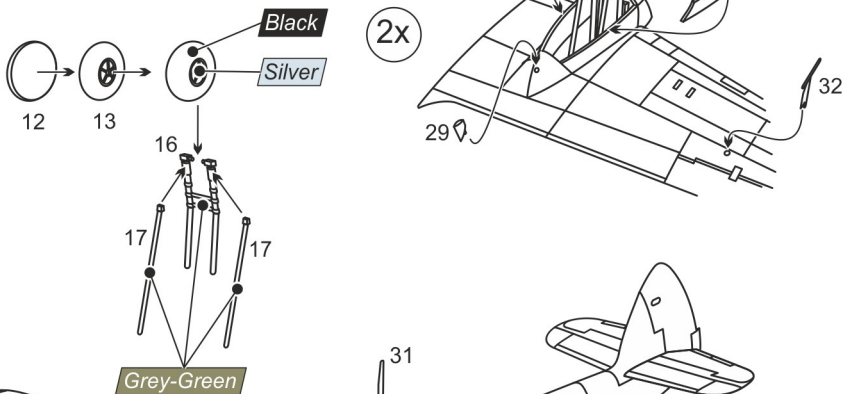
4



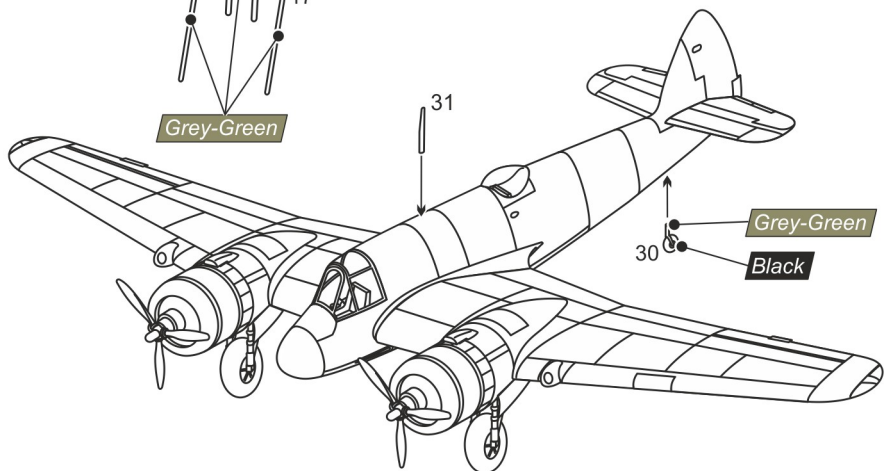
5



6

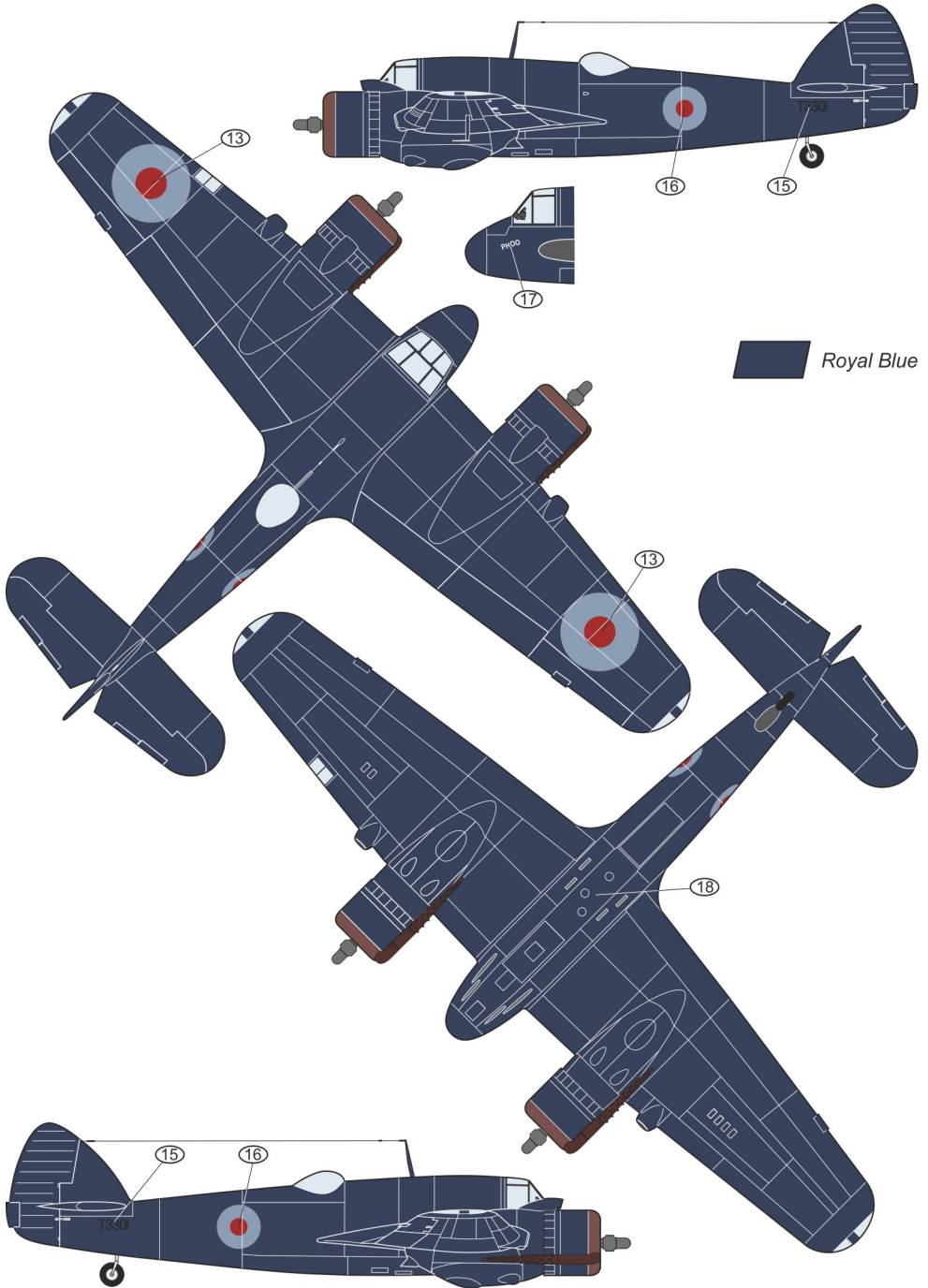


7





Bristol Beaufighter Mk.IC, T3301, No.2 PRU, RAF, Heliopolis, Egypt, taken on charge by No.69 Sq. and operating from Luqa airfield, Malta, early 1942





Bristol Beaufighter Mk.VIF, X8166, Grey E, No.89 Sq., RAF, Castel Benito airfield, Libya, summer 1943

