

# GLOSTER GLADIATOR MK.I

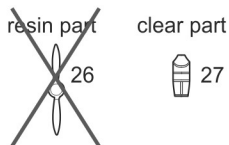
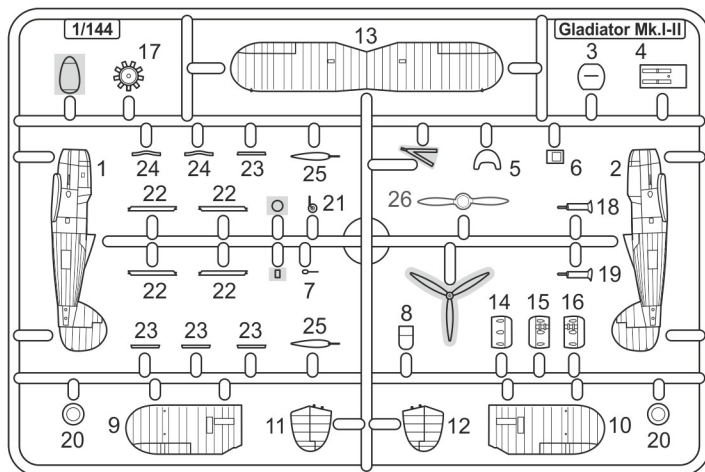
## LAST BIPLANE FIGHTER



MKM14452  
1/144 scale

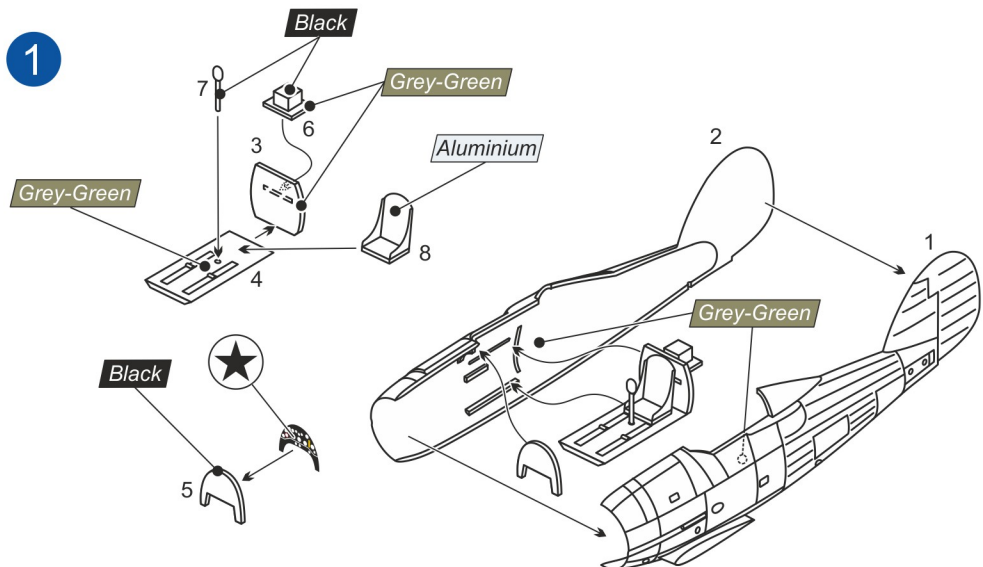
MARK I Ltd.  
PO Box 10  
Prague 10 - Strašnice  
CZ-100 31  
Czech Republic  
mark1@gmail.cz  
www.4pluspublications.com

plastic parts

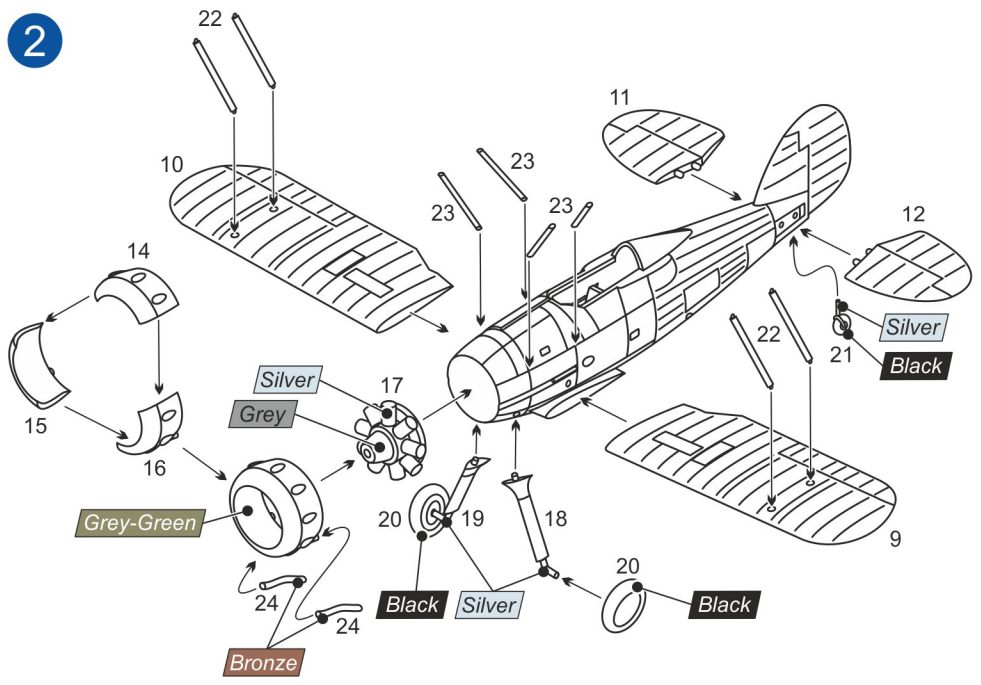


parts not to be used

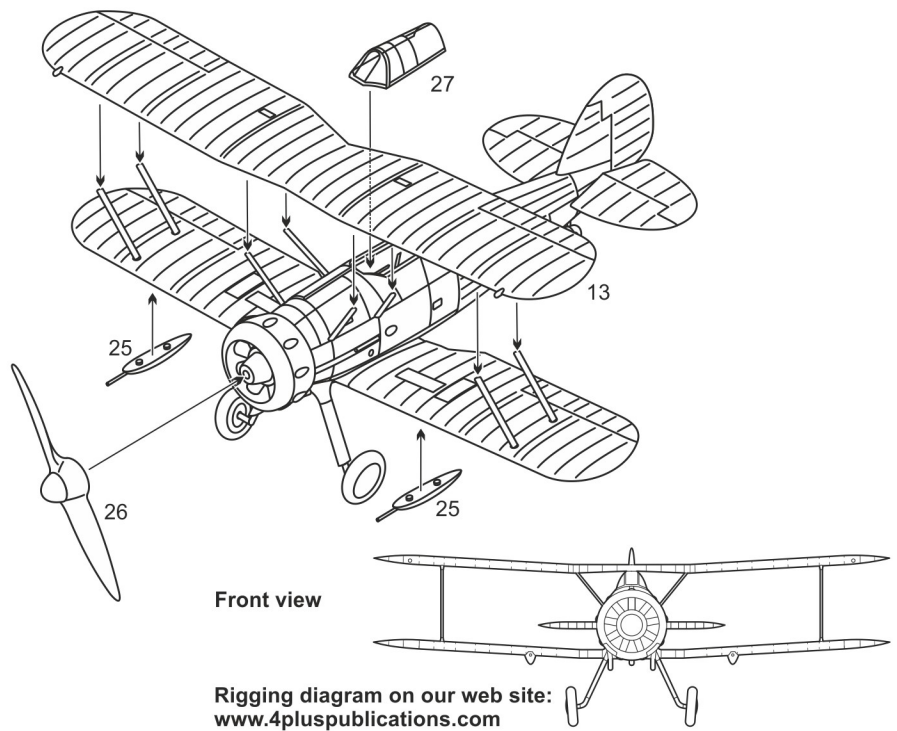
- 2x Repeat this operation
- Glue
- Don't glue
- Decal
- Detach/cut
- ? Optional



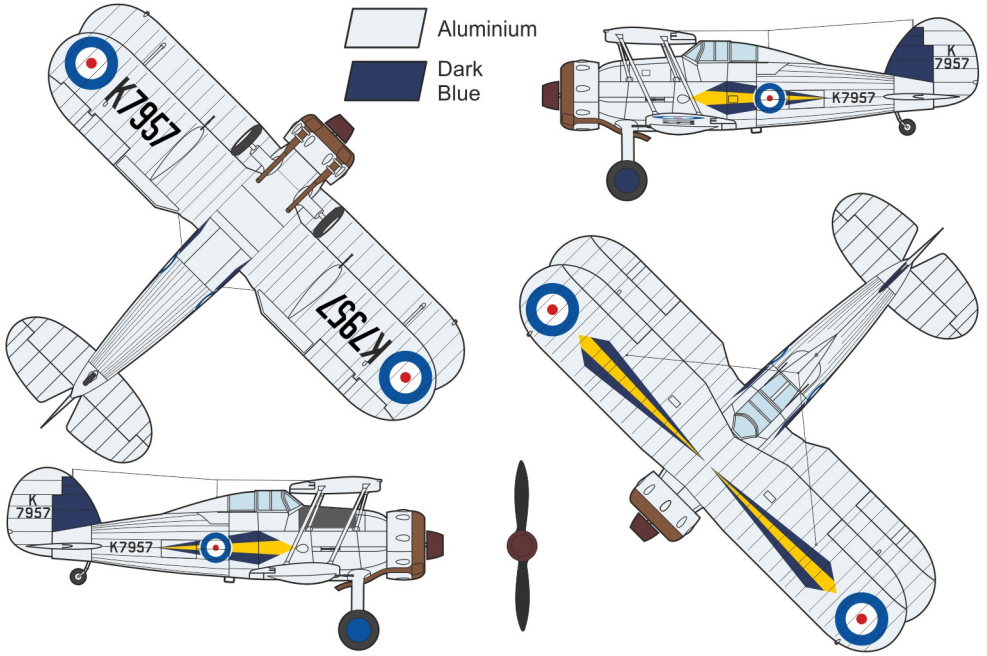
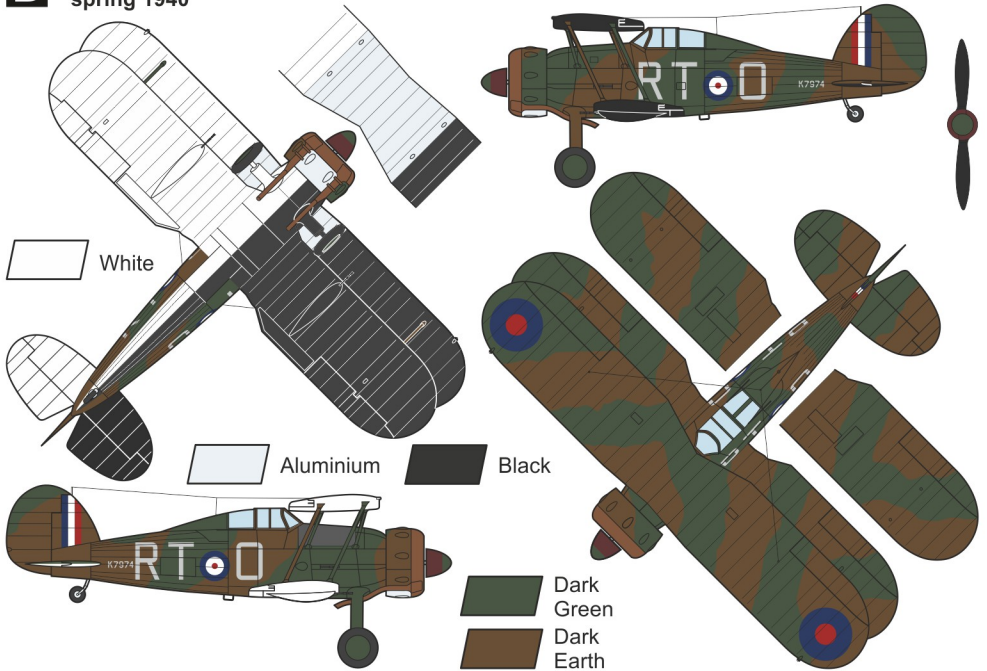
2



3

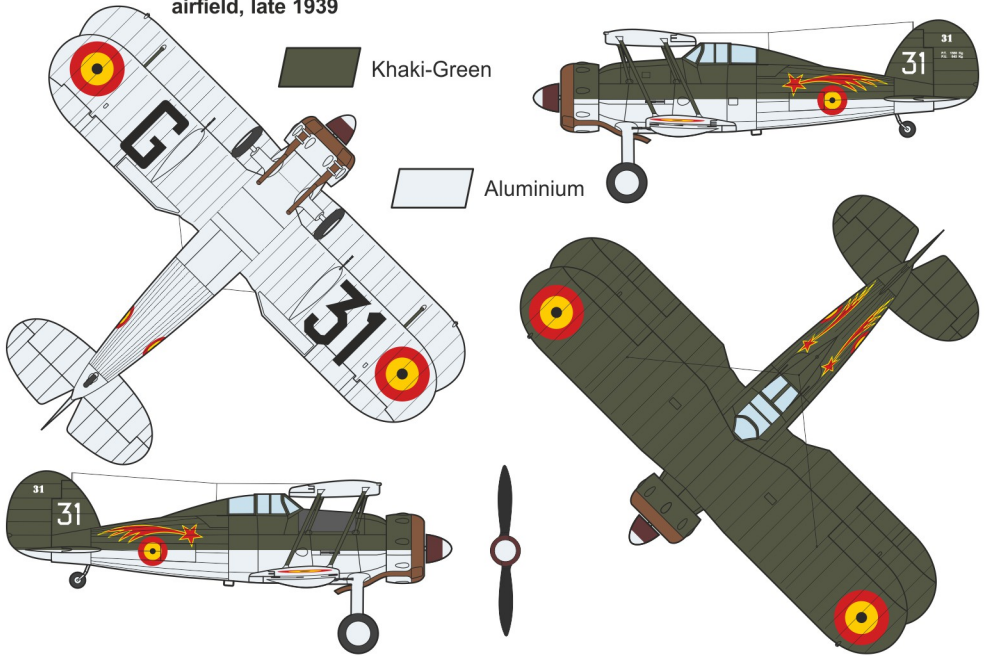


Rigging diagram on our web site:  
[www.4pluspublications.com](http://www.4pluspublications.com)

**A****Gloster Gladiator Mk.I, K7957, No.73 Sq., RAF, Digby airfield, 1938****B****Gloster Gladiator Mk.I, K7974, Grey RT-O, No.112 Sq., RAF, Helwan airfield, Egypt, spring 1940**



**C** Gloster Gladiator Mk.I, White 31, 1<sup>er</sup> Escadrille du 1<sup>er</sup> Groupe du 2<sup>ème</sup> Regiment Aéronautique (Squadron 1/1/2 Aé) - 'La Comète', Force aérienne belge (Belgian Air Force), Schaffen - Diest airfield, late 1939



**D** Gloster Gladiator Mk.I, White 2809, 28th Fighter Sq., 5th Fighter Group, Chinese Nationalist Air Force, China, 1938

