

Aero L-29R/RS "Okó"

RECCE DELFIN



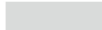
MKM14431

1/144 scale

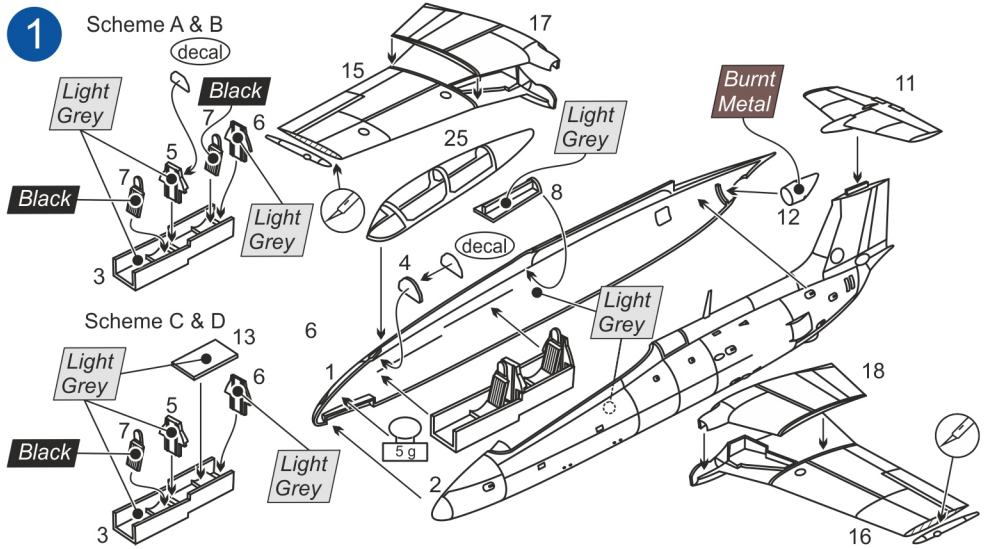
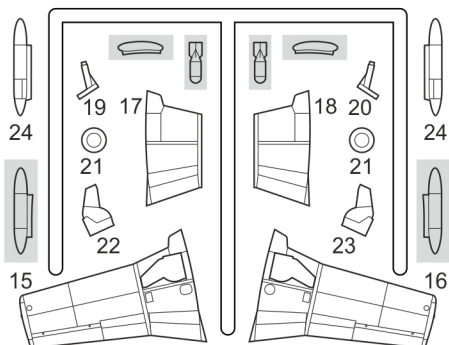
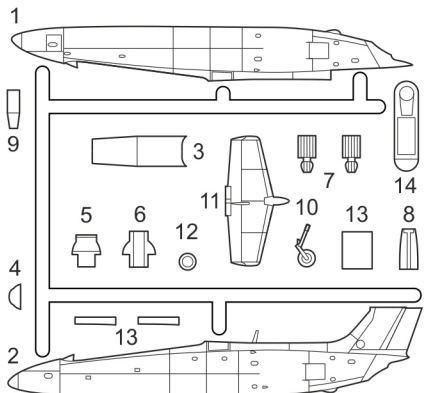
clear part



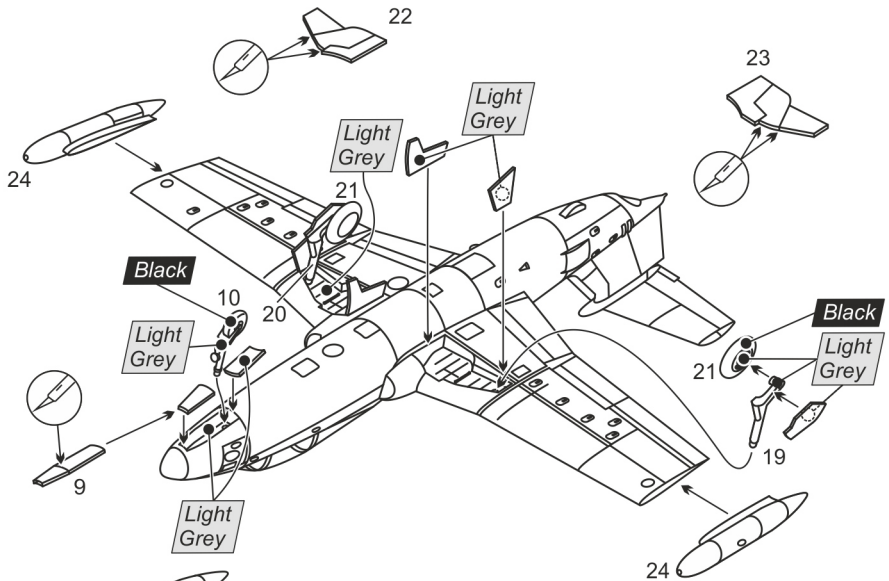
parts not to be used



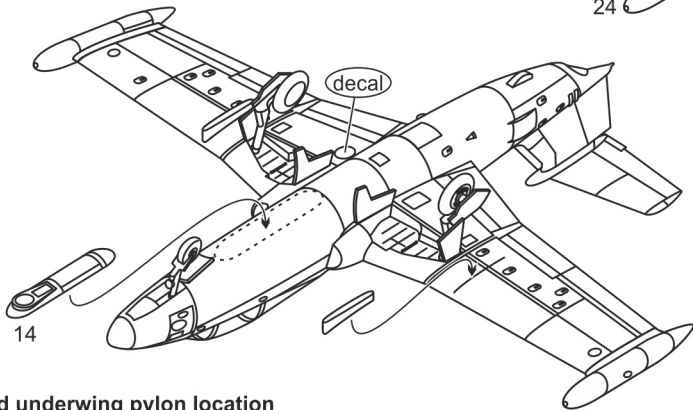
MARK I Ltd.
 PO Box 10
 CZ-100 31 Prague 10 - Strašnice
 Czech Republic
 mark1@cmail.cz
 www.4pluspublications.com



2

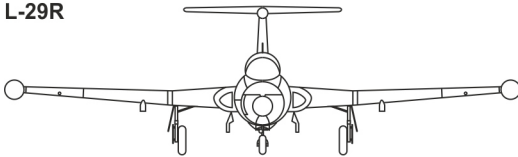


3

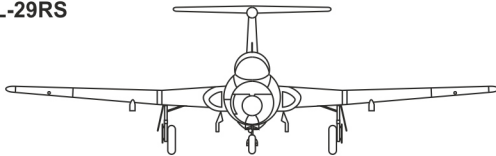


Front view and underwing pylon location

L-29R



L-29RS



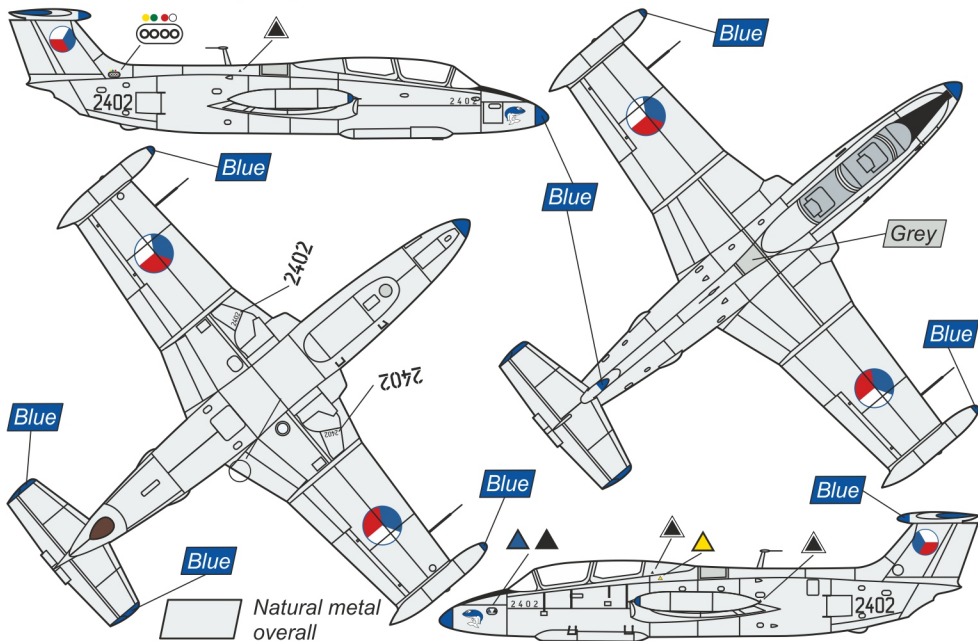
Recommended detailing and supplementary sets:

- MKA14412 L-29 Detailing Set
- MKA14413 L-29 Canopy Set
- MKA14414 L-29 Weapon Set

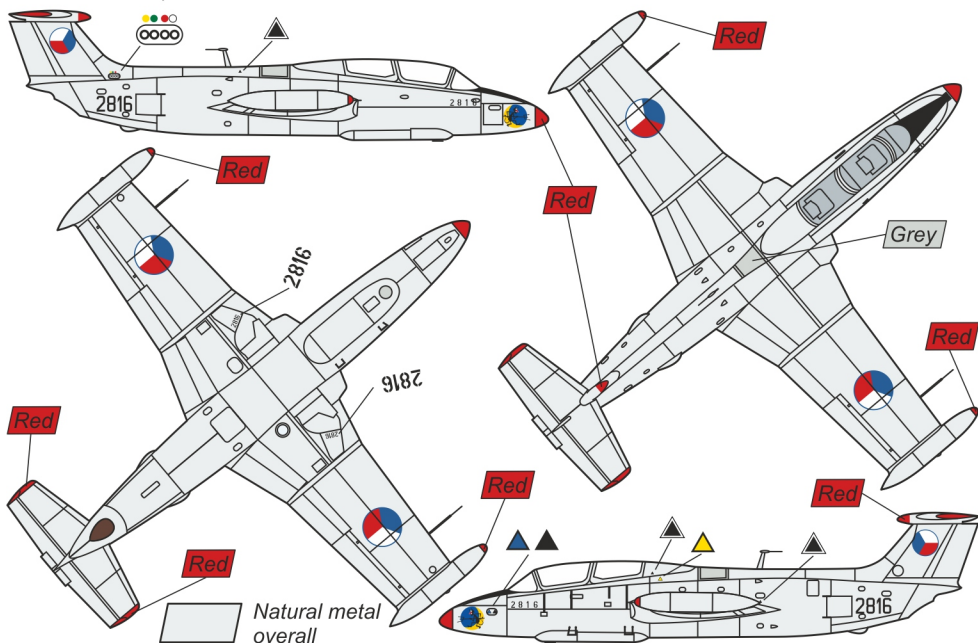
For more information see MARK I dozen set publication "L-29 Delfin colours & markings"

www.4pluspublications.com

A Aero L-29R "Oko" (Eye), Black 2402 (c/n 792402), 47th Reconnaissance Air Regiment (47. pzlp), Czechoslovak Air Force (vojenské letectvo ČSLA), Pardubice Air Base, det. Plzeň - Lině, early 1970s

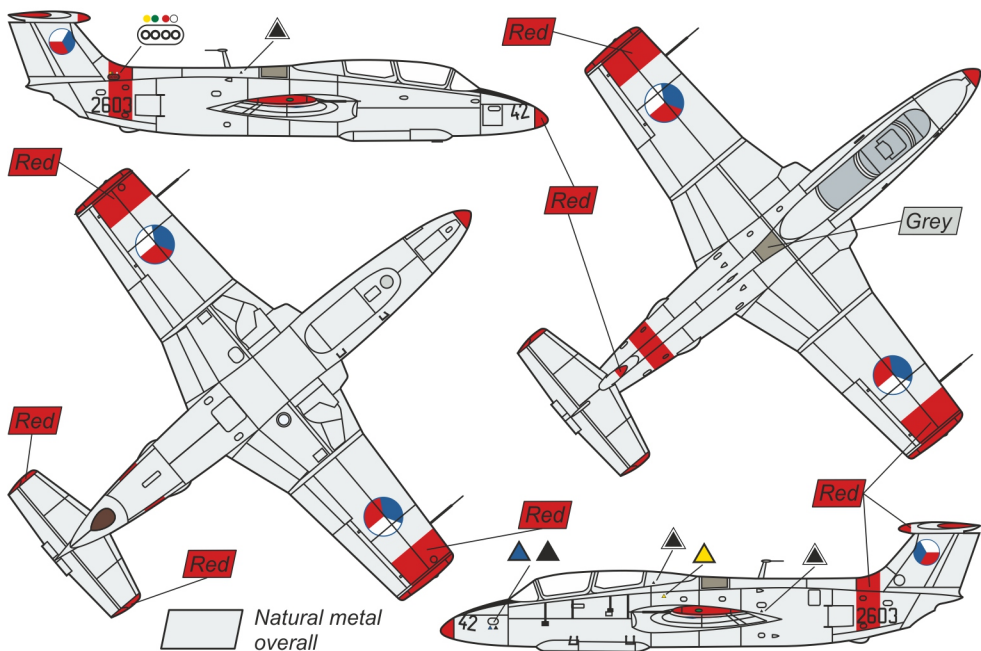


B Aero L-29R "Oko" (Eye), Black 2816 (c/n 892816), 3rd Sq. 1st Fighter Regiment (3. letka 1. sp), Czechoslovak Air Force (vojenské letectvo ČSLA), České Budějovice Air Base, 1969-70





Aero L-29RS, Black 2603/42 (c/n 792603), 47th Reconnaissance Air Regiment (47. pzlp), Czechoslovak Air Force (vojenské letectvo ČSLA), Pardubice Air Base, the 1980s



Aero L-29RS, Red 715 (c/n 792407), Pilot Training Establishment, Vietnamese Air Force (VPAF - Vietnamese People's Air Force), Nha Trang Air Base, the 1980s

