

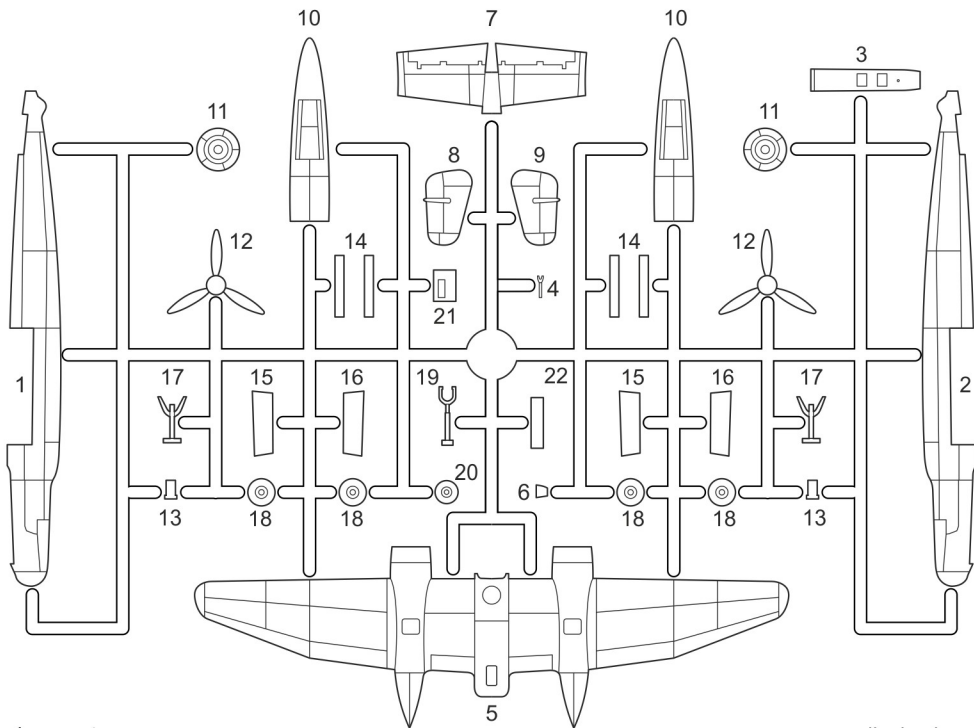
Heinkel He 219A-2

NIGHT HUNTER



MKM14419
1/144 scale

MARK I Ltd.
PO Box 10
CZ-100 31 Prague 10 - Strašnice
Czech Republic
mark1@cmail.cz
www.4pluspublications.com



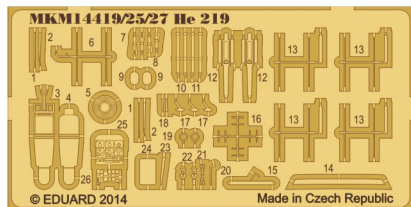
clear part



display base



PE parts



2x Repeat this operation

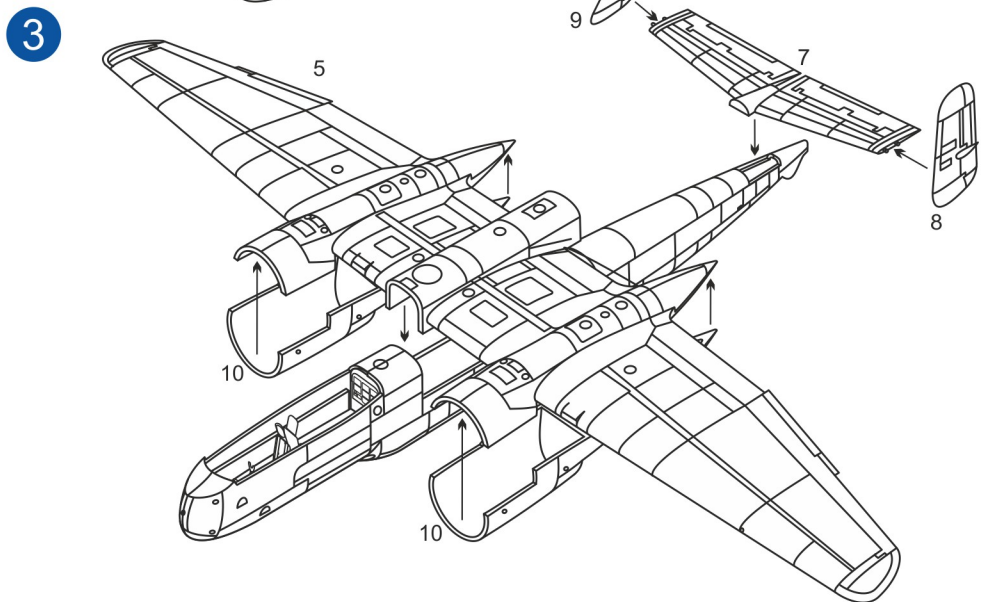
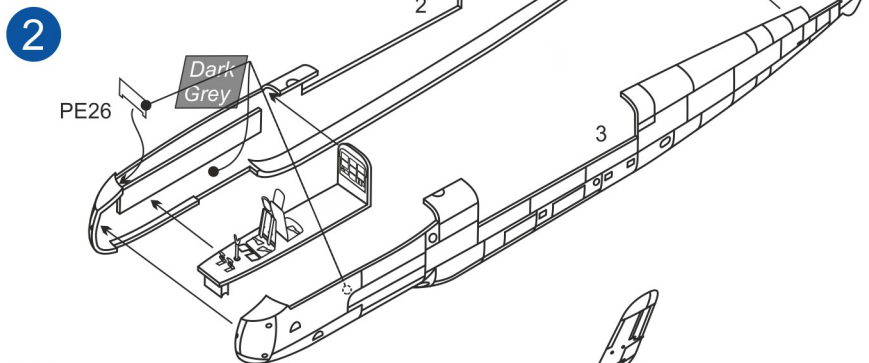
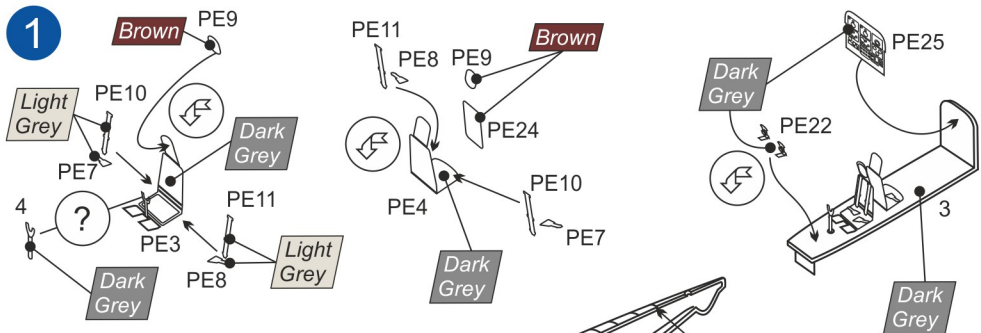
Glue

Bend

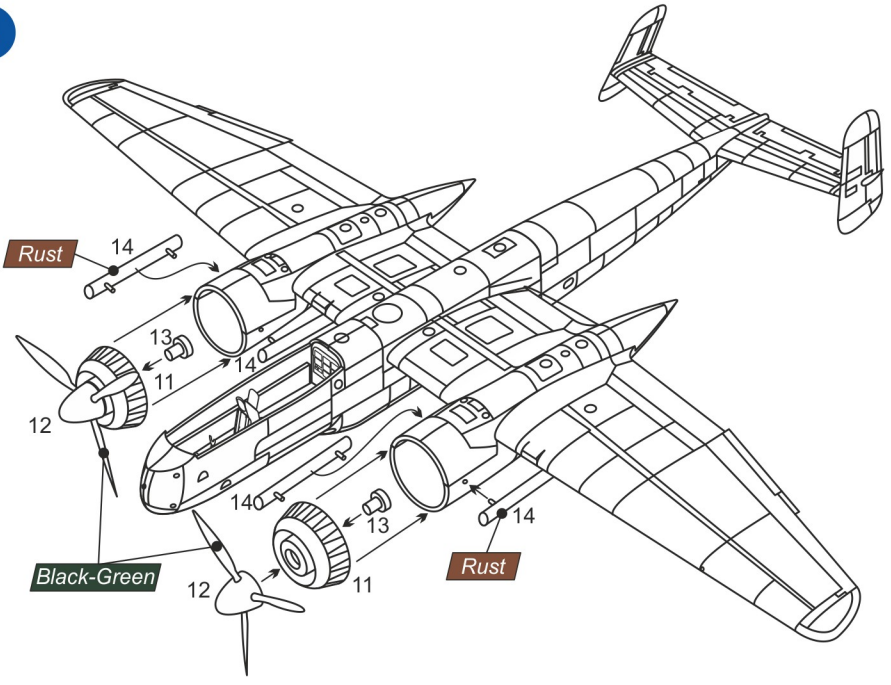
Drill

Detach/cut

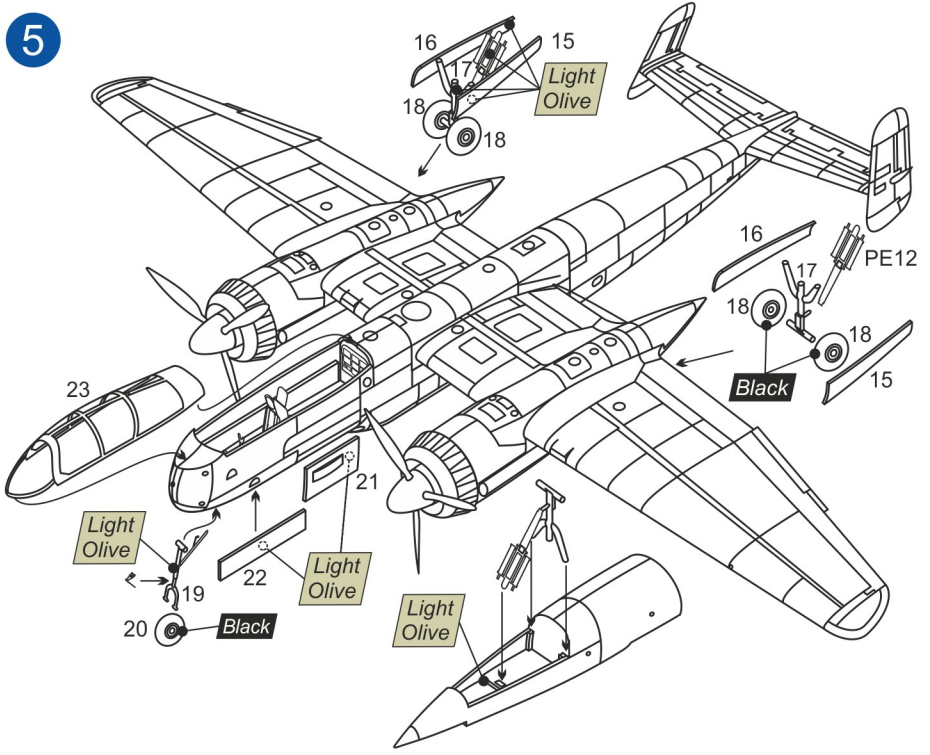
Optional



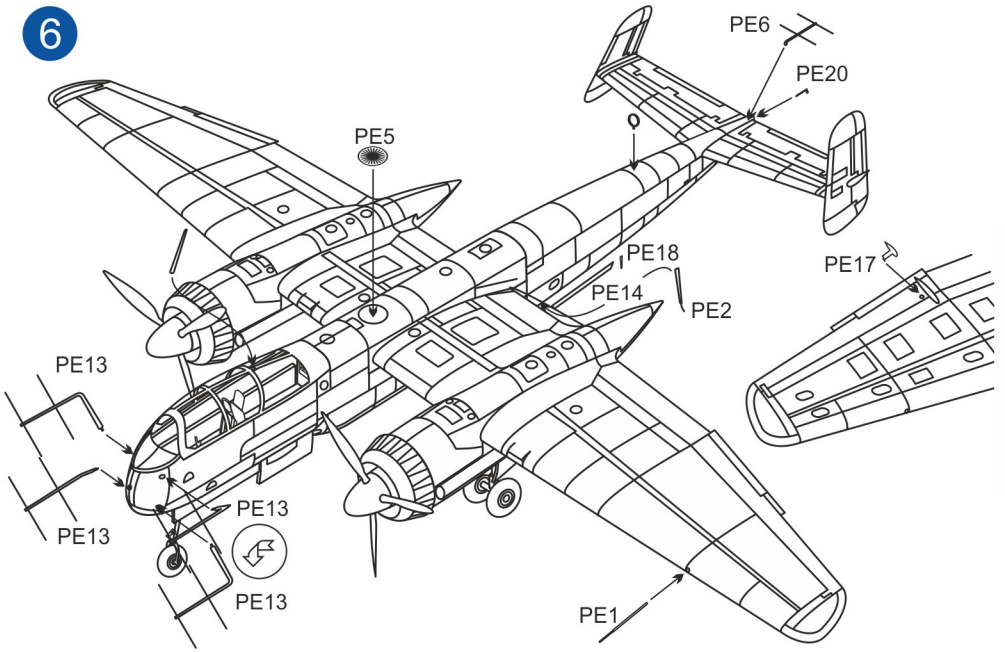
4



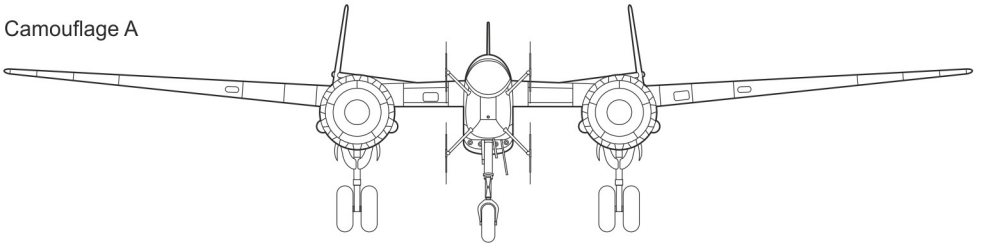
5



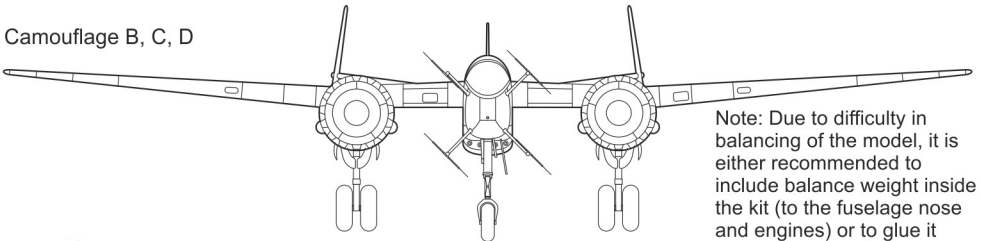
6



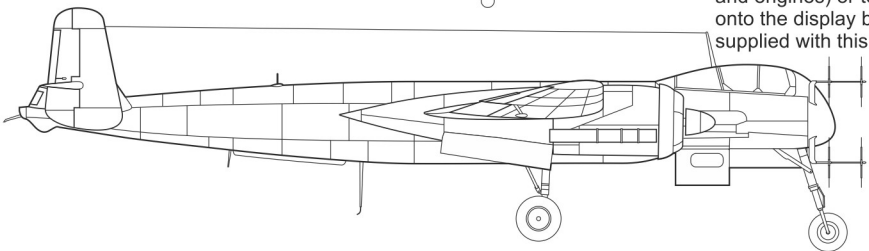
Camouflage A



Camouflage B, C, D

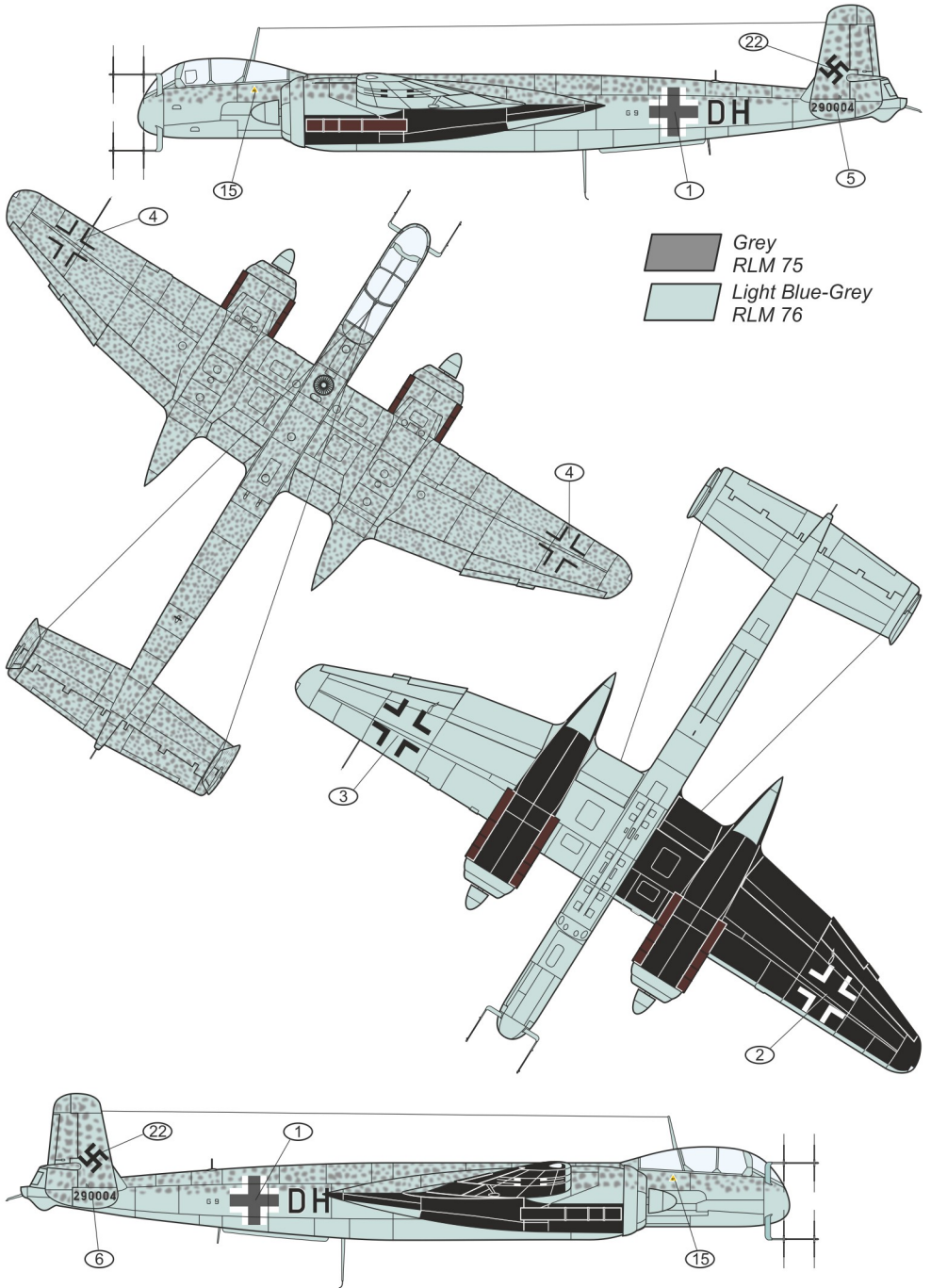


Note: Due to difficulty in balancing of the model, it is either recommended to include balance weight inside the kit (to the fuselage nose and engines) or to glue it onto the display base supplied with this kit.



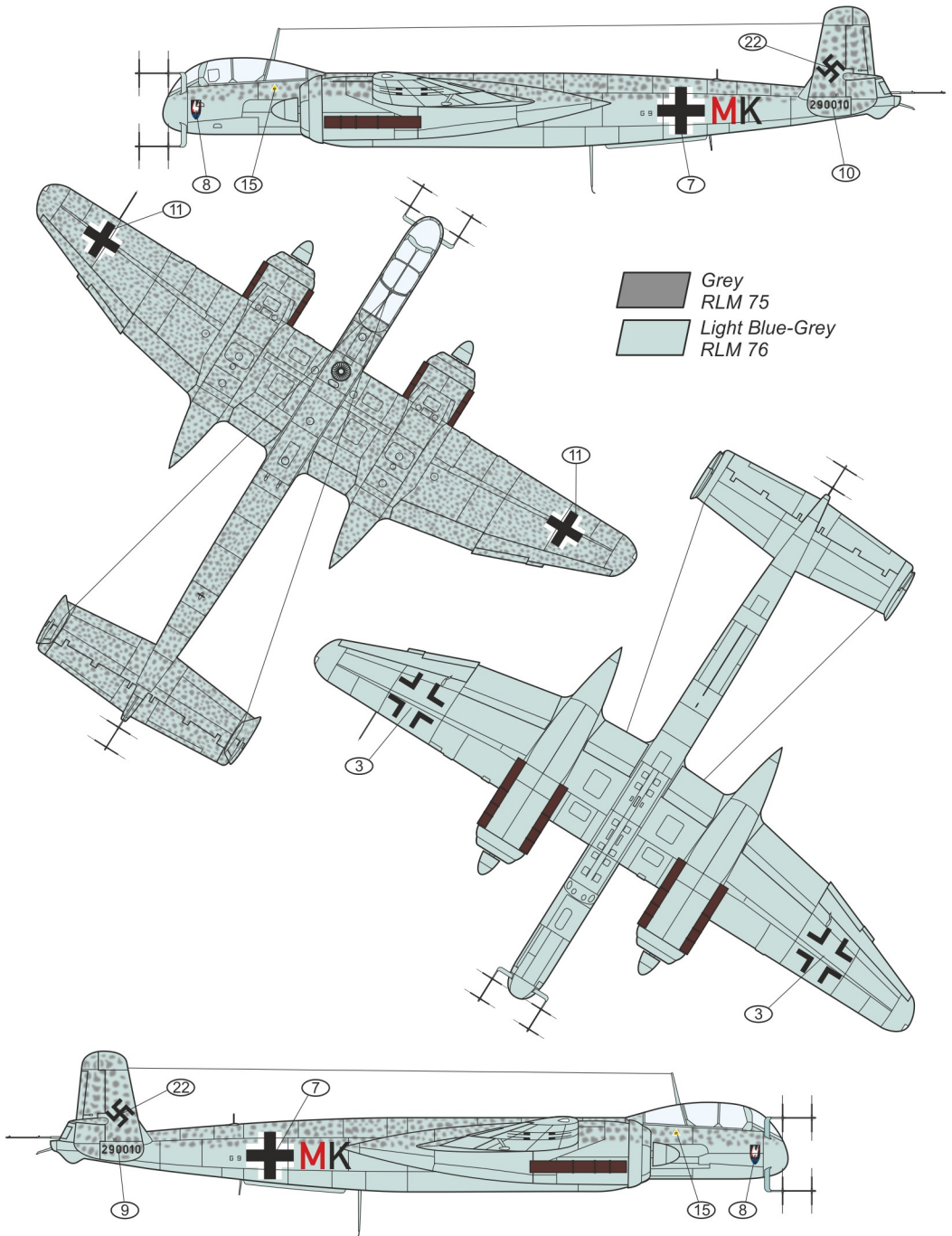


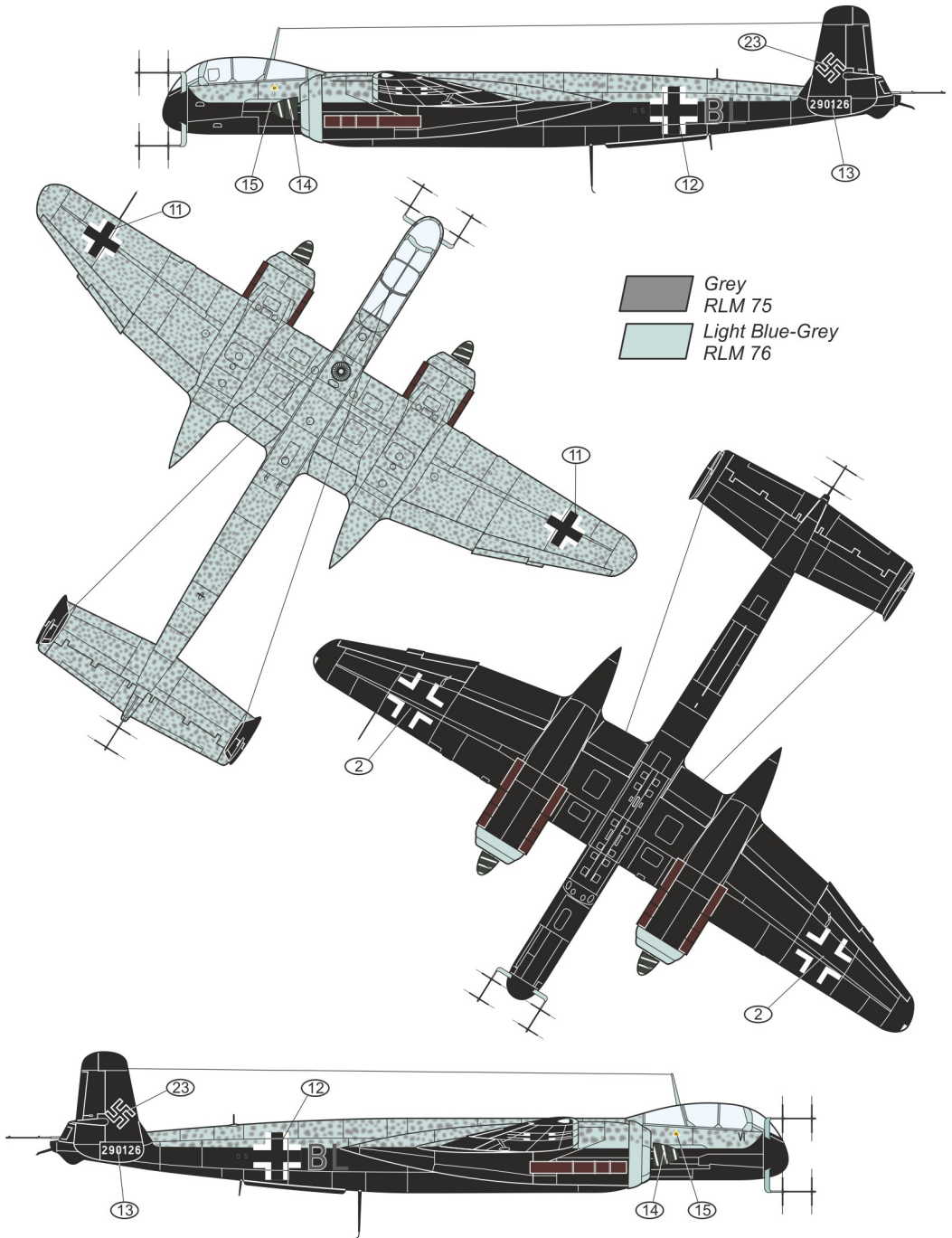
Heinkel He 219A-2, Black G9+DH, 1./NJG 1, Luftwaffe, Paderborn Air Base, Germany, April 1945



B

Heinkel He 219A-2, Black/Red G9+MK, 2./NJG 1, Luftwaffe, Münster-Handorf Air Base, Germany, November 1944







Heinkel He 219A-2, Air Ministry 20, Royal Aircraft Establishment, Farnborough, 1945

